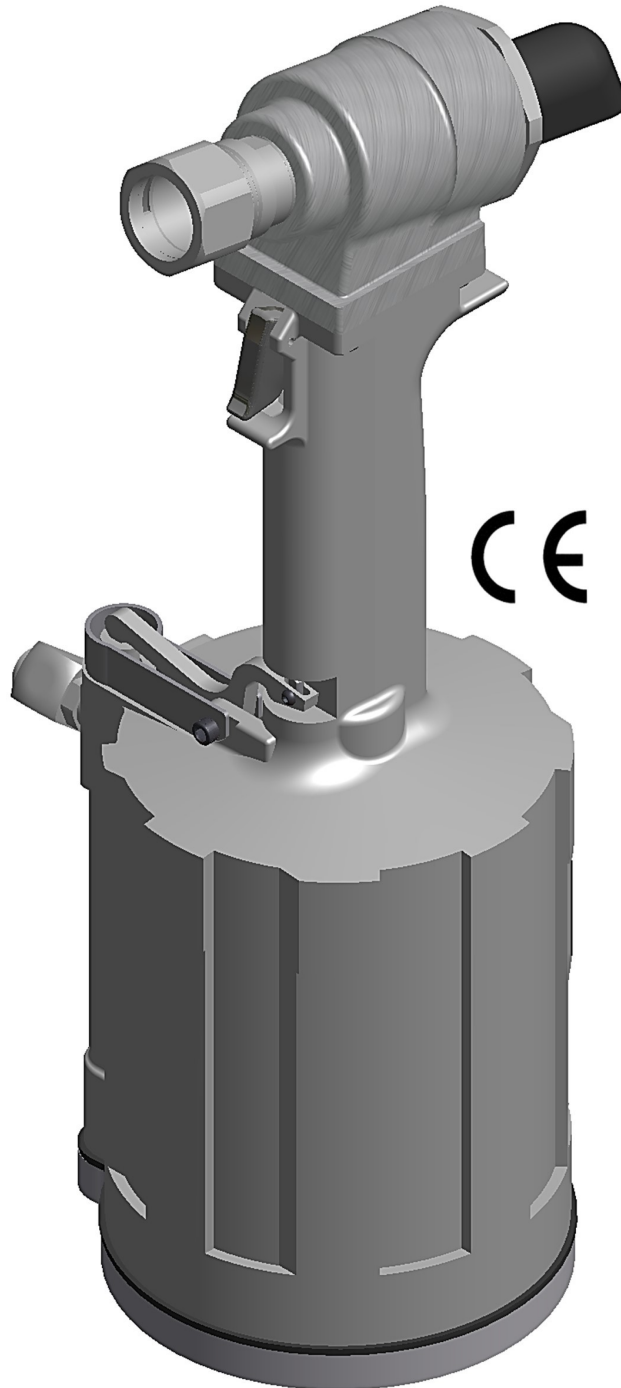


ORIGINAL INSTRUCTIONS

S/N: 1226 AND ABOVE
PLEASE CONTACT GAGE BILT FOR
ALL OTHER SERIAL NUMBERS.

GB756

INSTALLATION TOOL



GAGE BILT TOOLS ARE AVAILABLE WORLDWIDE
E-MAIL US FOR A DISTRIBUTOR NEAR YOU.

Registered to
ISO 9001:2015

GAGE BILT
 **MADE in USA**

44766 Centre Court, Clinton Twp., MI. 48038 USA
Ph: +1 (586) 226-1500 Fax: +1 (586) 226-1505
solutions1@gagebilt.com / www.gagebilt.com



	<u>Page</u>
EU Conformity and Warranty	3
Description and Technical Specifications	4
Description of Functions	5
Safety Warnings	6
Principle of Operation.....	7
How to set-up the GB756.....	8
How to use the GB756	9
Maintenance	10
Filling	11
Bleeding and Stroke Chart.....	12
Installing Nose Assemblies / Installing Stroke Limiters.....	13
Troubleshooting	14
Overhaul	15-16
Parts Lists.....	17
DEXRON® III Oil Safety Data (SDS)	18
Nose Assembly Selection Chart	19
Approved Accessories	20-28

GAGE BILT

DECLARATION OF CONFORMITY

MANUFACTURER: Gage Bilt Inc. 44766 Centre Ct., Clinton Twp., Michigan U.S.A. +1(586-226-1500)

**WE DECLARE THAT THE EQUIPMENT SPECIFIED HEREIN CONFORMS
TO THE FOLLOWING DIRECTIVES AND STANDARDS**

Machinery Directive 2006/42/EC

EN12100-1 & 12100-2:2010

EN ISO 11148-1:2011

The Supply of Machinery (Safety) Regulations 2008

EU REPRESENTATIVE: Edgar Hausmann GmbH Förster-Busch-Str. 10 D-34346 Hann. Münden Germany

EQUIPMENT DESCRIPTION: GB756 FASTENER INSTALLATION TOOL

This product specified above conforms to the above directives and standards.

SIGNATURE:



NAME: TIM SIMMONS
PRODUCT MANAGER
CLINTON TWP., MI. U.S.A.
OCT 2022
+1(586) 226-1500



WARRANTY

Seller warrants that all goods covered by this catalog will conform to applicable specifications and will replace or repair, EXW our plant, any goods providing defective from faulty workmanship, or material, for 1 year from date of shipment.

Said warranty to remain in effect if, and only if, such goods are used in accordance with all instructions as to maintenance, operation and use, set forth in manuals and instruction sheets furnished by seller.

Sellers obligation under this warranty shall be limited to the repair or rework of the goods supplied or replacement thereof, at Seller's option, and in no case is to exceed the invoice value of said goods. Under no circumstances will the seller be liable for incidental or consequential damages or for damages incurred by the buyer or subsequent user in repairing or replacing defective goods or if the goods covered by this warranty are reworked or subjected to any type of additional processing.

This warranty is void if Seller is not notified in writing of any rejections or defects within 1 year after the receipt of the material by the customer.

THIS WARRANTY IS MADE IN LIEU OF ALL OTHER WARRANTIES EXPRESSED OR IMPLIED, INCLUDING MERCHANTABILITY.

DESCRIPTION



⚠ WARNING: Any other use is forbidden.

The GB756 is a pneumatic installation tool designed specifically for the efficient installation of blind, lockbolt and Magna-Grip® fasteners thru 3/8" diameter.

It weighs 11.1 lbs. (5.0kg) and can be operated in any position. It has a .960" (24.4mm) fastener setting stroke and a rated pull load of 10,000 lbs. (44.5kN).

The GB756 installation tool operates on 90 to 100 psi (6.2 - 6.9 bar) Max. of air pressure. At 90 psi. (6.2 bar) of air pressure, the GB756 does not exceed 94.3 dB(A) and consumes .29 SCF/cycle (8.21 L/cycle).

The air inlet is provided with 1/4 - 18 female pipe thread for accepting the user's air hose fitting.

Nose Assemblies that were designed for the model 353 installation tool mount directly on the GB756 without the use of an adapter.

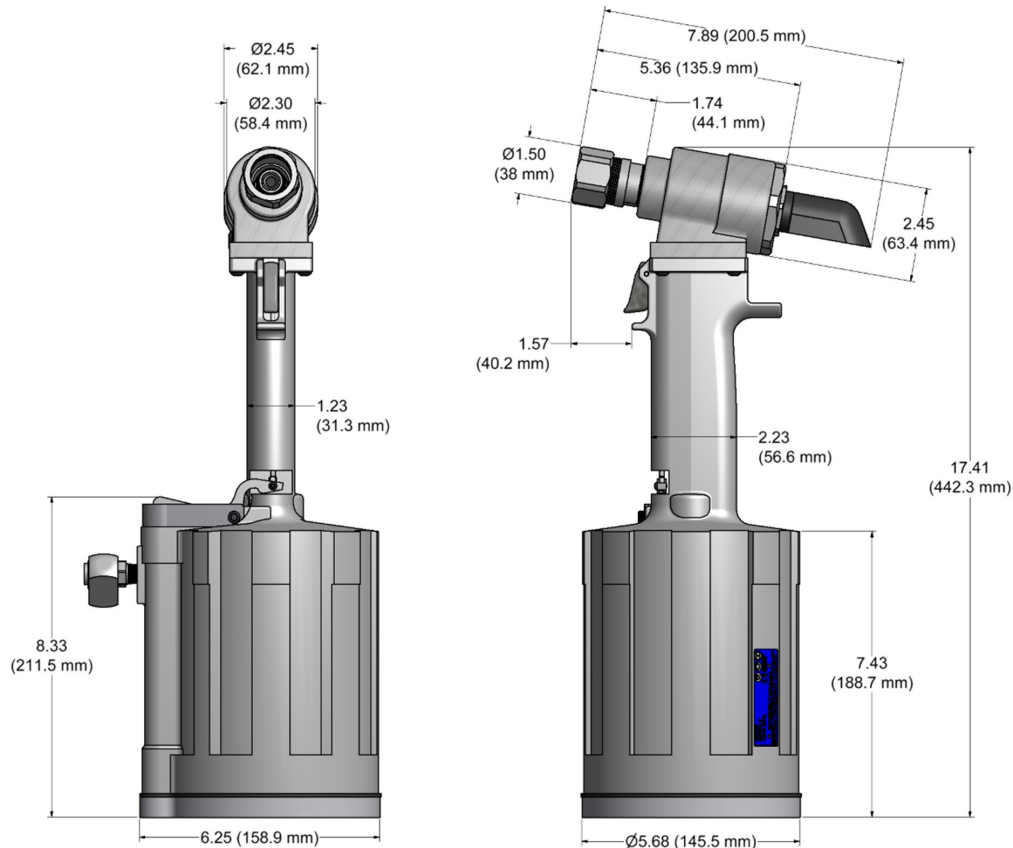
Nose Assemblies that were designed for the model 352 installation tool will attach to the GB756 with the use of the 745751 nose assembly adapter.

NOSE ASSEMBLIES ARE NOT FURNISHED WITH THIS TOOL AND MUST BE ORDERED SEPARATELY (SEE NOSE ASSEMBLY SELECTION CHART PG. 19).

ENVIRONMENTAL USE

⚠ WARNING: Do not operate in an explosive atmosphere.

The GB756 can be operated between 0°F - 118°F (-17.8°C / 47.8°C)



TECHNICAL SPECIFICATIONS

Hand Held Weight	- 11.1 lbs. (5.0 kg).
Air pressure req'd	- 90 - 100 p.s.i. (6.2 - 6.9 bar) Max.
Air consumption	- .29 SCF/cycle (8.21 L/cycle)
Hydraulic Oil	- Automatic Transmission Oil, Dexron® III, or equivalent.
Setting stroke	- .960" (24.4mm)
Rated pull load	- 10,000 lbs. (44.5kN)
Noise level	- 94.3 dB(A) Peak
Vibration	- Tested – No hazards found.

DESCRIPTION OF FUNCTIONS

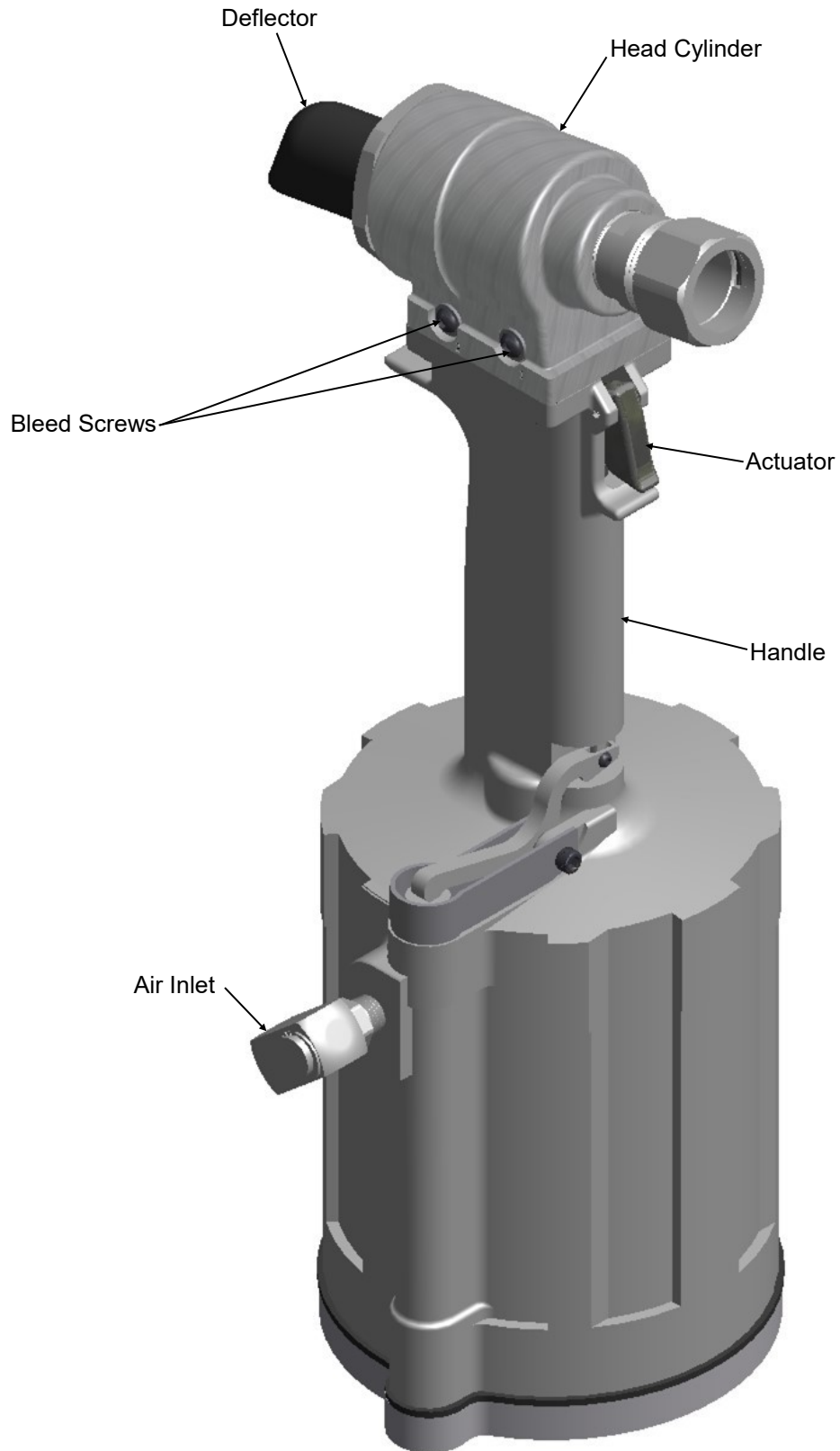


Image may not reflect actual tool



TERMS AND SYMBOLS



- Product complies with requirements



- Product complies with requirements



- Hearing protection and eye protection



- Read manual prior to using equipment



- Wear safety boots



WARNINGS - Must be understood to avoid severe personal injury.



CAUTIONS - show conditions that will damage equipment and/or structure.

Notes - are reminders of required procedures.

GENERAL SAFETY RULES:

1. For multiple hazards, read and understand the safety instructions before installing, operating, repairing, maintaining, changing accessories on, or working near the assembly power tool for non-threaded mechanical fasteners.
2. Only qualified and trained operators shall install, adjust or use the assembly power tool for non threaded mechanical fasteners.
3. Do not modify this assembly power tool for non-threaded mechanical fasteners. Modifications can reduce effectiveness of safety measures and increase the risks to the operator.
4. Do not discard safety instructions; give them to the operator.
5. Do not use assembly power tool for non-threaded mechanical fasteners if it has been damaged.
6. Tools shall be inspected monthly to verify all ratings and markings required are legible. The employer/user shall contact the manufacturer to obtain replacement marking labels when necessary.

ADDITIONAL SAFETY RULES FOR PNEUDRAULIC POWER TOOLS:

1. Air under pressure can cause severe injury.
2. Always shut off air supply, drain hose of air pressure and disconnect tool from air supply when not in use, before changing accessories or when making repairs.
3. Never direct air at yourself or anyone else.
4. Whipping hoses can cause severe injury. Always check for damage or loose hoses and fittings.
5. Cold air shall be directed away from hands.
6. Whenever universal twist couplings (claw couplings) are used, lock pins shall be installed and whip check safety cables shall be used to safeguard against possible hose-to-tool or hose-to-hose connection failure.
7. Do not exceed the maximum air pressure stated on the tool or manual.
8. Never carry an air tool by the hose.

PROJECTILE HAZARDS:

1. Disconnect the tool from the energy source when changing inserted tools/nose assemblies or accessories.
2. Be aware that failure of the workpiece, accessories, or the inserted tool/nose assembly itself can generate high-velocity projectiles.
3. Always wear impact resistant eye protection during operation of the tool.
4. Ensure that the workpiece is securely fixed.
5. Check that the means of protection from ejection of fastener and/or stem is in place and operative (such as the deflector, pintail collection bottle or catcher bag).
6. Forcible ejection of the mandrel from the front of the nose assembly is possible.

OPERATING HAZARDS:

1. Use of tool can expose the operator's hands to hazards, including crushing, impacts, cuts, abrasions and heat. Wear suitable gloves to protect hands.
2. Operators and maintenance personnel shall be physically able to handle the bulk, weight and power of the tool.
3. Hold the tool correctly; be ready to counteract normal or sudden movements and have both hands available.
4. Maintain a balanced body position and secure footing.
5. Release the start-and-stop device in the case of interruption of energy supply.
6. Use only lubricants recommended by the manufacturer.
7. Avoid unsuitable postures as it is likely for these positions not to allow counteracting of normal or unexpected movement of the tool.
8. If the tool is fixed to a suspension device, make sure that fixation is secure.
9. Beware of the risk of crushing or pinching if nose equipment is not fitted.
10. Due to the tool weight, it is recommended safety shoes be worn during operation.
11. It is recommended tool be operated not more than 50 out of every 60 minutes, where prolonged use is expected.

REPETITIVE MOTIONS HAZARDS:

1. When using the tool, the operator can experience discomfort in the hands, arms, shoulders, neck or other parts of the body.
2. While using the tool, the operator should adopt a comfortable posture while maintaining a secure footing and avoiding awkward or off balanced postures. The operator should change posture during extended tasks; this can help avoid discomfort and fatigue.
3. If the operator experiences symptoms such as persistent or recurring discomfort, pain, throbbing, aching, tingling, numbness, burning sensations or stiffness, these warning signs should not be ignored. The operator should tell the employer and consult a qualified health professional.

ACCESSORY HAZARDS:

1. Disconnect tool from energy supply before changing the nose assembly or accessory.
2. Use only sizes and types of accessories approved by the manufacturer. Do not use other types or sizes of accessories.

WORKPLACE HAZARDS:

1. Slips, trips and falls are major causes of workplace injury. Be aware of slippery surfaces caused by use of tool and also of trip hazards caused by the air line or hydraulic hose.
2. Proceed with care in unfamiliar surroundings. There could be hidden hazards, such as electricity or other utility lines.
3. The tool is not intended for use in potentially explosive atmospheres and is not insulated against contact with electrical power.
4. Ensure that there are no electrical cables, gas pipes, etc., which can cause a hazard if damaged by the tool.

NOISE HAZARDS:

1. Exposure to high noise levels can cause permanent, disabling hearing loss and other problems, such as tinnitus (ringing, buzzing, whistling or humming in the ears). Therefore, risk assessment and the implementation of appropriate controls for these hazards are essential.
2. Appropriate controls to reduce the risk may include actions such as damping materials to prevent workpieces from "ringing".
3. Always use hearing protection.
4. Operate and maintain the assembly power tool for non-threaded mechanical fasteners as recommended in the instruction handbook, to prevent an unnecessary increase in the noise level.
5. Select, maintain and replace the consumable/inserted tool as recommended in the instruction handbook, to prevent an unnecessary increase in noise.
6. If the power tool has a silencer, always ensure that it is in place and in good working order when the power tool is being operated.

VIBRATION HAZARDS:

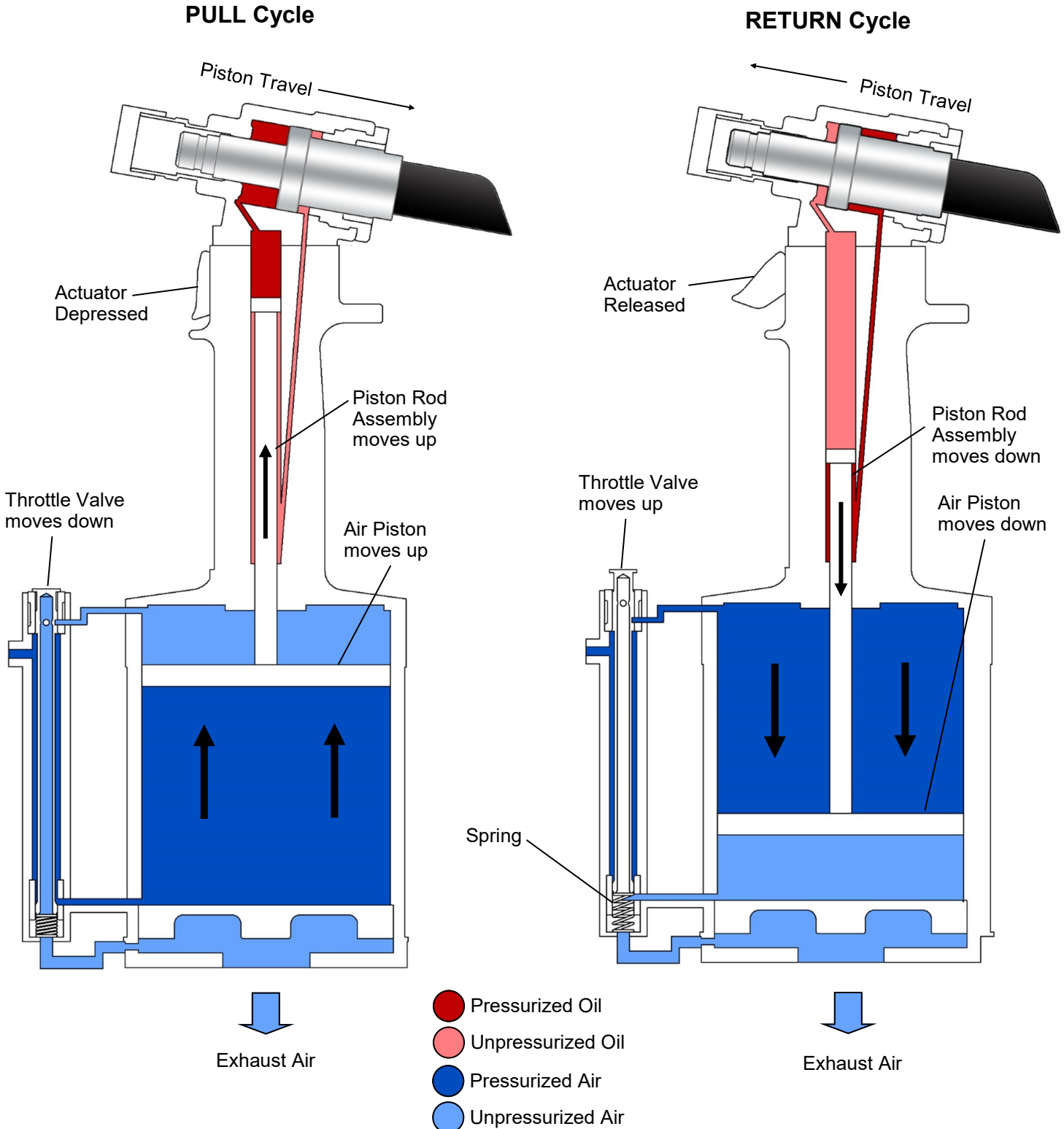
1. Exposure to vibration can cause disabling damage to the nerves and blood supply of the hands and arms.
2. Wear warm clothing when working in cold conditions and keep your hands warm and dry.
3. If you experience numbness, tingling, pain or whitening of the skin in your fingers or hands, stop using the assembly power tool for non-threaded mechanical fasteners, tell your employer and consult a physician.
4. Support the weight of the tool in a stand, tensioner or balancer, because a lighter grip can then be used to support the tool.

PRINCIPLE OF OPERATION



When the actuator is depressed, the throttle valve is shifted, directing the pressurized air inside the tool to the bottom of the air piston assembly, moving it in an upward direction. The air above the air piston assembly is then directed out the exhaust, on the bottom of the tool. Simultaneously, the piston rod assembly connected to the air piston assembly is also moving up, forcing hydraulic oil up and into the front of the head cylinder, causing the piston assembly to move to the rear of the head cylinder. The oil from the rear of the head cylinder is directed to the bottom of the piston rod assembly, inside the handle assembly. The internal components of the attached nose assembly are also moving with the piston assembly to start the fastener installation. When the fastener installation is completed the actuator is released allowing spring pressure to move the throttle back to the original position, directing the air pressure to the top side of the air piston assembly and reversing the sequence.

PNEUDRAULIC DIAGRAM



Images may not reflect actual tool

HOW TO SET-UP THE GB756



- ⚠ WARNING:** Only qualified and trained operators shall install, adjust or use the assembly power tool for non-threaded mechanical fasteners.
- ⚠ WARNING:** Operator **MUST** read and understand all warnings and cautions.
- ⚠ WARNING:** It is required that eye protection, hearing protection and safety boots be worn at all times while handling this equipment.
- ⚠ WARNING:** The users or the user's employer must assess specific risks that could be present as a result after each use based on their application.
 - Ensure there is adequate clearance for tool and operator's hands before proceeding. Keep fingers clear of any moving parts. Keep fingers clear from fasteners and installed materials. Severe personal injury may result.
 - Verify the air lines and/or hydraulic hoses are not a trip hazard.
 - Ensure that there are no electrical cables, gas pipes, etc., which can cause a hazard if damaged by the tool.
- ⚠ WARNING:** Do not actuate fastener in the air. Personal injury from fastener ejecting may occur.
- ⚠ WARNING:** Air is exhausted from the bottom of the tool. Direct bottom of the tool (exhausted air) away from operator, other persons working in the vicinity, foreign matter and liquid.
- ⚠ WARNING:** Do not carry from hoses or use as a hammer.
- ⚠ WARNING:** Do not use in explosive atmosphere.
- ⚠ WARNING:** Ensure air hose is securely connected to avoid possible hose whipping.
- ⚠ WARNING:** Always disconnect air supply when tool is not in use to prevent accidental start-up.
- ⚠ WARNING:** Ensure there is adequate clearance for tool and operator hands.
- ⚠ WARNING:** Do not operate this tool without deflector, pintail catcher bag or pintail collection bottle in place.
- ⚠ CAUTION:** Do not use beyond the design intent.

The tool is shipped with a red plastic plug in the air inlet connector. The connector has a 1/4 - 18 NPT female pipe thread to accept end-user air hose fitting. The tool comes with oil and is ready to use.

1. Remove red plastic shipping pipe plug (A-204) from swivel (A-249) (air inlet) and screw in your quick disconnect (air) fitting.
2. Attach Deflector (756120) to rear of Head Cylinder (756300).
3. Connect tool to air hose with 90 psi. (6.2 bar) using clean, dry air. 3/8" (9.52 mm) minimum diameter air line is recommended. Cycle tool five times by depressing and releasing actuator (756142).
4. Disconnect air hose from tool.
5. Select proper nose assembly and stroke limiter (if applicable) (see nose selection chart pg. 19). For further information see pages 9 & 19. Screw collet assembly onto piston assembly and slide anvil over collet, secure with retaining nut stop (480125) and retaining nut (480124). (See proper data sheet for further instructions).
6. Connect air supply.

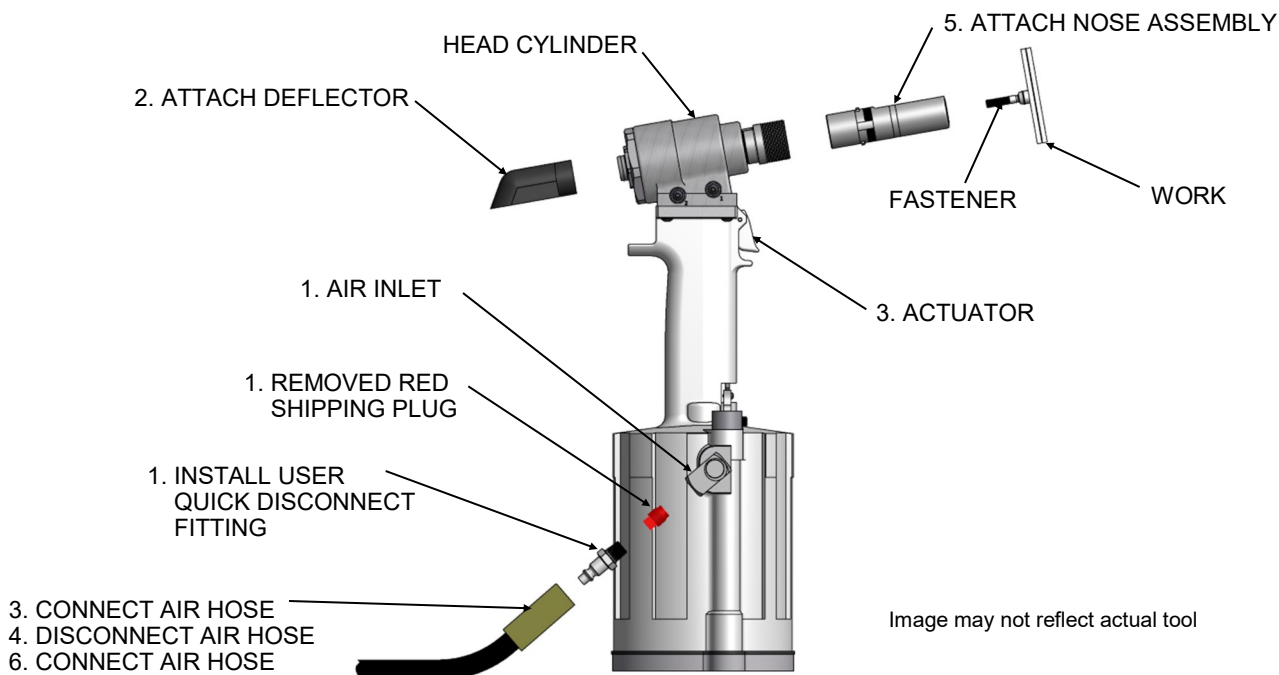


Image may not reflect actual tool



- ⚠ WARNING:** Only qualified and trained operators shall install, adjust or use the assembly power tool for non-threaded mechanical fasteners.
- ⚠ WARNING:** Operator **MUST** read and understand all warnings and cautions.
- ⚠ WARNING:** It is required that eye protection, hearing protection and safety boots be worn at all times while handling this equipment.
- ⚠ WARNING:** The users or the user's employer must assess specific risks that could be present as a result after each use based on their application.
 - *Ensure there is adequate clearance for tool and operator's hands before proceeding. Keep fingers clear of any moving parts. Keep fingers clear from fasteners and installed materials. Severe personal injury may result.*
 - *Verify the air lines and/or hydraulic hoses are not a trip hazard.*
 - *Ensure that there are no electrical cables, gas pipes, etc., which can cause a hazard if damaged by the tool.*
- ⚠ WARNING:** Do not actuate fastener in the air. Personal injury from fastener ejecting may occur.
- ⚠ WARNING:** Air is exhausted from the bottom of the tool. Direct bottom of the tool (exhausted air) away from operator, other persons working in the vicinity, foreign matter and liquid.
- ⚠ WARNING:** Do not carry from hoses or use as a hammer.
- ⚠ WARNING:** Do not use in explosive atmosphere.
- ⚠ WARNING:** Ensure air hose is securely connected to avoid possible hose whipping.
- ⚠ WARNING:** Always disconnect air supply when tool is not in use to prevent accidental start-up.
- ⚠ WARNING:** Ensure there is adequate clearance for tool and operator hands.
- ⚠ WARNING:** Do not operate this tool without deflector, pintail catcher bag or pintail collection bottle in place.
- ⚠ CAUTION:** Do not use beyond the design intent.

Lockbolts

1. Insert fastener through the work piece.



2. Slide collar over fastener.

Note: Always hold tool so pulling head is perpendicular to surface of material in which fastener is being installed. Exert firm pressure against fastener during installation.



3. Insert fastener into nose assembly.



4. Press actuator to start cycle.
5. Release actuator as soon as fastener breaks.
6. Repeat steps 1 - 5.

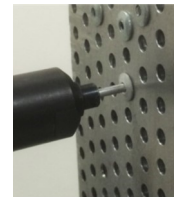
Blind Fasteners

1. Insert fastener into the work piece.

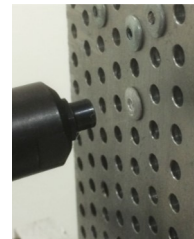


2. Insert fastener into nose assembly.

Note: Always hold tool so pulling head is perpendicular to surface of material in which fastener is being installed. Exert firm pressure against fastener during installation.



3. Press actuator to start cycle.



4. Release actuator as soon as fastener breaks.
5. Repeat steps 1 - 4.

Images may not reflect actual tool or fastener

DAILY MAINTENANCE



- ⚠ WARNING:** Tool must be maintained in a safe working condition at all times and examined on a daily basis for damage or wear. Any repair must be done by qualified personnel trained on Gage Bilt procedures.
- ⚠ WARNING:** Excessive contact with hydraulic oil and lubricants must be avoided.
- ⚠ WARNING:** Maintenance personnel **MUST** read and understand all warnings and cautions.
- ⚠ WARNING:** Disconnect tool from its power source before performing maintenance, cleaning or when replacing worn or damaged components. Severe personal injury may occur if power source is not disconnected.
- ⚠ WARNING:** Read safety datasheet documents for all applicable materials.

Note:

- Dispose of hydraulic oil in accordance with manufacture safety datasheet.
- All tool materials are recyclable except rubber o’rings, seals and wipers.

The performance of any tool depends upon good maintenance practices. Following these minimal requirements daily will extend the life of your tool.

- * Only use a clean dry air supply set at 90 - 100 p.s.i. (6.2 bar - 6.9 bar) equipped with a filter-regulator to prevent wear.
- * Check tool and nose assembly for damage. (Replace/Repair if necessary). See Overhaul pgs. 15 - 16 for tool repair.
- * Inspect hoses and couplings for wear, damage and leaks. (Replace/Repair if necessary).
- * Cycle the tool several times to assure there are no leaks during use.
- * Keep hydraulic system free of dirt.
- * Proper care by operators is necessary in maintaining full productivity and reducing downtime.
- * Keep nose assemblies, especially jaws, clean and free of chips and debris.

WEEKLY MAINTENANCE

- Keep the hydraulic system full (only use Dexron® III or equivalent) and free of air by using the air bleeder assembly (704153) on a weekly basis or as needed. (See Filling and Bleeding procedure pgs. 11 - 12).

SEE TROUBLESHOOTING (PG. 14) AND OVERHAUL (PGS. 15 - 16) FOR FURTHER GUIDANCE.

CLEANING AND LUBRICATING PROCEDURE

Daily cleaning and lubrication of nose assembly will greatly reduce downtime and increase life of components. Using sewing machine oil, or an equivalent cleaner/lubricant, follow instructions below.

CLEANING

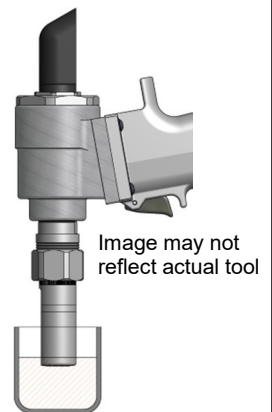
Clean nose assembly daily or as often as needed.

1. Dip into mineral spirits or similar solvent to clean jaws and wash away metal chips and debris. **DO NOT** allow jaws to come in contact with other solvents. **DO NOT** let jaws soak. Dry jaws immediately.
2. Disassemble nose assembly and use a sharp “pick” to remove embedded particles from grooves of jaws.

LUBRICATING

Lubricate nose assembly after each cleaning and as often as needed.

1. Disconnect tool vacuum line (if equipped).
2. Point nose assembly into oil as shown.
3. Cycle tool 8 - 10 times and wipe dry.



TORQUE SPECIFICATIONS

- Button Head Cap Screws (402479) = 35 - 40 inch lbs. (3.95 - 4.52 Nm).
- Packing Plug (756218) = 45 foot lbs. (61 Nm).
- Flexlock Nut (A-1089) = 17 foot lbs. (23 Nm).
- End Cap (756116) = 50 foot lbs. (67.8 Nm).
- Button Head Cap Screws (402482) = 35 - 40 inch lbs. (3.95 - 4.52 Nm). (*Do NOT over-tighten*).

FILLING PROCEDURE



- ⚠ WARNING:** Do not cycle tool without air bleeder assembly (704153), or the screw and stat-o-seal, installed in tool head. Severe personal injury could result.
- ⚠ CAUTION:** Before filling handle assembly, air piston assembly must be all the way down.
- ⚠ CAUTION:** When forcing piston rod assembly (756134) downward, with head cylinder (756300) removed, hydraulic oil will eject forcibly from handle assembly (756229).
- ⚠ CAUTION:** When bleeding tool, ensure tubing is free from kinks or other obstructions.
- ⚠ CAUTION:** Use CAUTION when removing screws, air bleeder assembly (704153) and fill bottle (745263). Hydraulic oil may be under pressure.

Note:

- Air Bleeder Assembly (704153) (sold separately) is required.

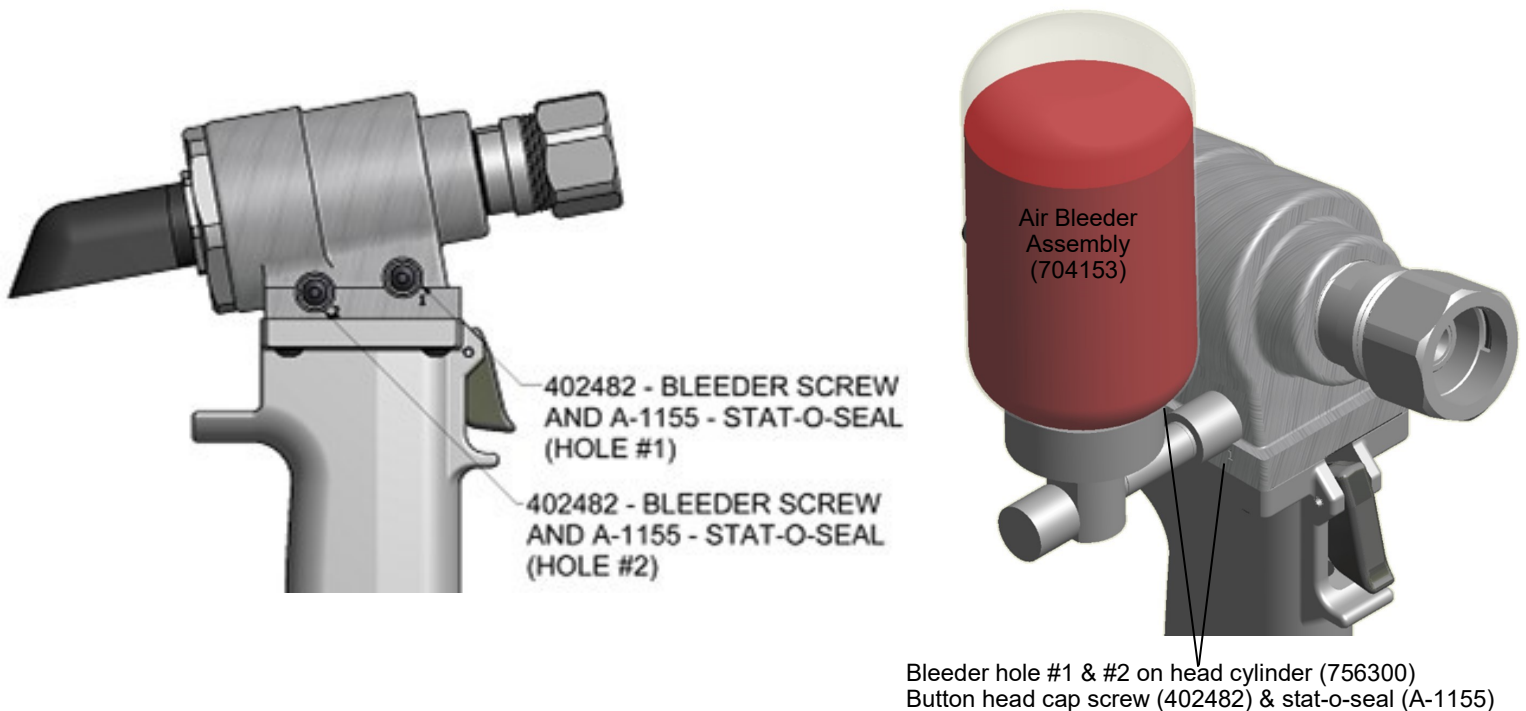
IMPORTANT: Be sure to use thread sealant on all hydraulic fittings, Loctite® 545 or equivalent or a non-hardening Teflon® thread compound such as Slic-tite®. Tighten until fitting feels snug and then continue to tighten 1/2 to 1 full turn. **CAUTION:** Over tightening can easily distort the threads. DO NOT USE TEFLON® TAPE. **CAUTION:** Teflon® tape is an excellent thread sealer, however, if it is not properly applied, pieces of Teflon® may enter the hydraulic system and cause a malfunction or damage.

Should it become necessary to completely refill the tool (as would be required after tool has been dismantled and reassembled), take the following steps:

1. Ensure the air piston assembly (756121) is at the full bottom of its stroke, by pushing the piston rod assembly (756134) down until it stops.
2. Fill the power cylinder (756227) to top and oil passage to the bottom of counterbore, this should be done with gland-return (756126) removed. Use socket head cap screw (A-1201) to remove gland-return (756126).
3. Place gland-return (756126) into top of handle assembly (756229) being careful not to tear o'rings when installing.
4. Push piston assembly (756211) in head cylinder (756300) to its full forward position. (See 'A' dimension fig. A pg. 12).
5. Install gasket (756148) and head cylinder (756300) onto top of handle assembly (756229) being careful not to tear o'rings on head cylinder (756300) or gland-return (756126).
6. Install the four button head cap screws (402479) into the head cylinder (756300) and torque evenly to 40 inch lbs.

Note:

- Tool must be bled after filling. (See bleeding procedure pg. 12).



Images may not reflect actual tool.

BLEEDING PROCEDURE:



- ⚠ WARNING:** Do not cycle tool without air bleeder assembly (704153), or the screw and stat-o-seal, installed in tool head. Severe personal injury could result.
- ⚠ CAUTION:** Before filling handle assembly, air piston assembly must be all the way down.
- ⚠ CAUTION:** When forcing piston rod assembly (756134) downward, with head cylinder (756300) removed, hydraulic oil will eject forcibly from handle assembly (756229).
- ⚠ CAUTION:** When bleeding tool, ensure tubing is free from kinks or other obstructions.
- ⚠ CAUTION:** Use CAUTION when removing screws, air bleeder assembly (704153) and fill bottle (745263). Hydraulic oil may be under pressure.

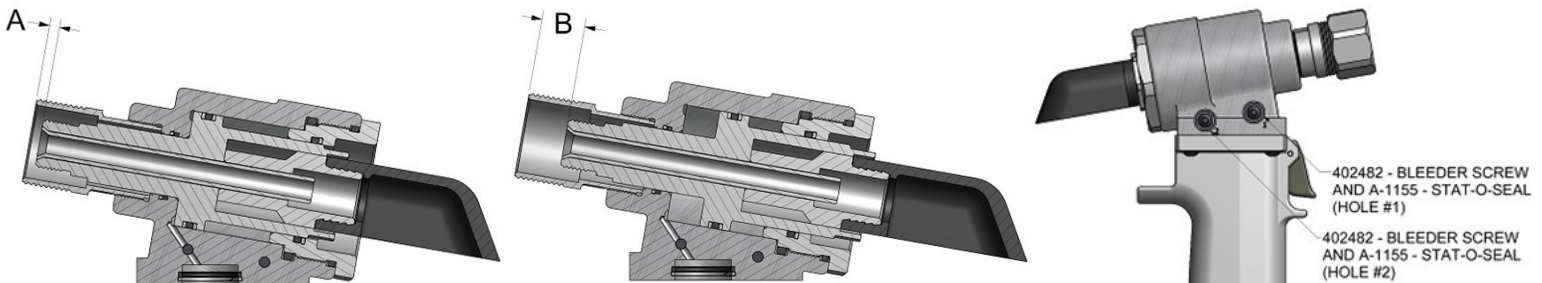
Note:

- Air Bleeder Assembly (704153) (sold separately) is required.

1. Make sure air supply is disconnected. Make sure piston assembly (756211) is in its full forward position (Dim A), then remove front button head cap screw (402482) and stat-o-seal (A-1155) from bleeder hole #1 on head cylinder (756300).
2. Make sure the rear button head cap screw (402482) and stat-o-seal (A-1155) are installed in the head cylinder (756300) hole marked #2, and screw is torqued to (35 - 40) inch pounds. (3.95 - 4.52 Nm). Do not over tighten.
3. Attach air bleeder assembly (704153) to front of hole in head cylinder (756300) hole marked #1.
4. Set air supply to 40 - 50 psi (2.8 - 3.4 bar), connect air supply to the tool. Cycle tool ten times, while holding actuator (756142) down for five seconds, and releasing the actuator (756142) for five seconds.
5. Release the actuator (756142) and let the piston assembly (756211) return to full forward position (Dim. A). Disconnect air supply and remove air bleeder assembly (704153).
6. Install button head cap screw (402482) and stat-o-seal (A-1155) in head cylinder (756300) hole marked #1 and torque to 35 - 40 inch pounds. (3.95 - 4.52 Nm). Do not over tighten.
7. Once both button head cap screws (402482) and stat-o-seals (A-1155) are installed in the head cylinder (756300) holes marked #1 and #2, and torqued to 35 - 40 inch pounds (3.95 - 4.52 Nm), (do not over tighten), connect the air supply 40 - 50 psi. (2.8 - 3.4 bar).
8. Hold the actuator (756142) down for 3 to 5 seconds and disconnect the air supply. The piston assembly (756211) should be at (Dim. B).
9. Remove the rear button head cap screw (402482) and stat-o-seal (A-1155) from the head cylinder (756300) hole marked #2. Attach the air bleeder assembly (704153) to the rear hold marked #2.
10. With the front button head cap screw (402482) and stat-o-seal (A-1155) installed and the air bleeder assembly (704153) installed in hole marked #2, connect the air supply 40 - 50 psi. (2.8 - 3.4 bar) and cycle the tool ten times.
11. Hold the actuator (756142) down for 3 to 5 seconds and disconnect the air supply. The piston assembly (756211) should be at (Dim. B).
12. Remove air bleeder assembly (704153), install rear button head cap screw (402482) and stat-o-seal (A-1155) in head cylinder (756300) marked #2 and torque to 35 - 40 inch pounds. (3.95 - 4.52 Nm). Do not over tighten.
13. Once both button head cap screws (402482) and stat-o-seals (A-1155) are installed in the head cylinder (756300) holes marked #1 and #2, and torqued to 35 - 40 inch pounds (3.95 - 4.52 Nm), (do not over tighten), connect the air supply 40 - 50 psi. (2.8-3.4 bar).
14. The piston assembly (756211) should move full forward to (Dim. A). Cycle the tool ten to twenty times, checking the stroke (Dim. A) and (Dim. B). We recommend using dial calipers. If stroke checks ok the bleeding procedure is complete.
15. If Dim. A checks long and piston assembly (756211) does not come completely full forward, disconnect air supply then remove both front and rear button head cap screws (402482) and stat-o-seals (A-1155) from holes marked #1 and #2 and push piston assembly (756211) full forward until it stops (Dim. A) and repeat bleeding procedure beginning at step #8.

For your consideration, Gage Bilt offers a depth gage (Pt.# A-1935) to help simplify and more accurately check your tool stroke. Please contact Gage Bilt for more information.

16. If Dim. B checks short, disconnect air supply, repeat steps 3 - 6.



NOSE ASSEMBLIES



Nose assemblies are attached using a 1 - 1/4 inch socket on the rear of the piston assembly. Socket (A-1307) may be ordered separately from Gage Bilt. (GB756TK) tool kit may also be ordered separately which includes socket (A-1307) and other tools needed for complete tool overhaul.

When attaching offset and right angle nose assemblies an adapter and stroke limiter is necessary. Refer to nose assembly selection chart on pg. 19 for the adapter and stroke limiter for your specific nose assembly. Follow instructions below for installation of stroke limiter.

STROKE LIMITER INSTALLATION INSTRUCTIONS

- ⚠ WARNING:** Stroke limiters are designed for the protection of the operator and equipment. Failure to operate tool without the proper stroke limiter will result in damage to the nose assembly or tool and may result in personal injury.
- ⚠ WARNING:** Do not cycle tool without air bleeder assembly (704153), or the screw and stat-o-seal, installed in tool head. Severe personal injury could result.
- ⚠ CAUTION:** Before filling handle assembly, air piston assembly must be all the way down.
- ⚠ CAUTION:** When forcing piston rod assembly (756134) downward, with head cylinder (756300) removed, hydraulic oil will eject forcibly from handle assembly (756229).
- ⚠ CAUTION:** When bleeding tool, ensure tubing is free from kinks or other obstructions.
- ⚠ CAUTION:** Use CAUTION when removing screws, air bleeder assembly (704153) and fill bottle (745263). Hydraulic oil may be under pressure.

Note:

- If you are unsure your nose assembly requires a stroke limiter, contact Gage Bilt for assistance.

1. Cycle tool to the rear position and disconnect air.
2. Remove end cap (756116).
3. Install stroke limiter over rear of piston assembly (756211). See nose assembly selection chart to select stroke limiter.
4. Remove button head cap screw (402482) and stat-o-seal (S572) from front bleeder hole marked "1".
5. Install end cap (756116) and torque to 45 foot lbs. (61Nm). Oil will drain from front bleeder hole marked "1" during installation.
6. Attach button head cap screw (402482) and stat-o-seal (S572) to front bleeder hole marked "1" and torque to 35 - 40 inch lbs. (3.95 - 4.52 Nm). Do not over tighten.
7. Connect tool to air and using a pair of dial calipers, check for full stroke using instructions a thru c below. (See stroke limiter chart below).
 - a. With actuator (756142) released, check dimension "A".
 - b. While holding actuator (56142) check dimension "B".
 - c. Subtract dimension "A" from dimension "B".

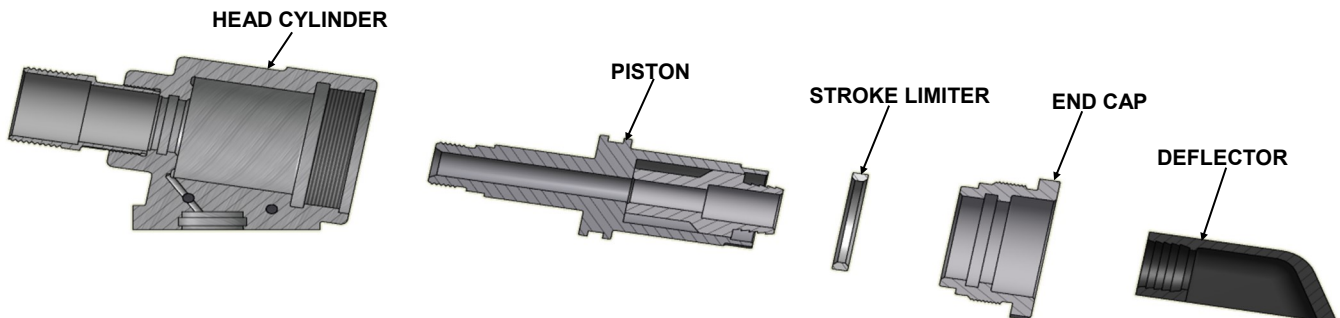
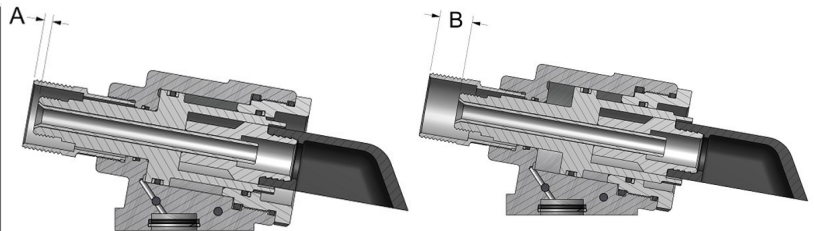
If Dim "A" does not check full forward (.147±.015), DISCONNECT AIR SUPPLY, remove button head cap screw (402482) and stat-o-seal (S572) from right hole (stamped #1) and attach air bleeder assembly (704153).

Then remove button head cap screw (402482) and stat-o-seal (S572) from left hole (stamped #2).

8. Insert a 3/8" Allan wrench in back of piston (756116) and manually push the piston (756116) full forward until dimension "A" checks correct. Replace stat-o-seal (S572) and button head cap screw (402482) into hole (stamped #2) and torque to 35 - 40 inch lbs. (3.95 - 4.52 Nm).

Continue bleeding tool by following steps 1 – 15 from bleeding procedure (See pg. 12).

TOOL	STROKE LIMITER	STROKE LIMITER THICKNESS	STROKE	"A"	"B"
GB756	NONE	NA	.960" 24.38mm	.147" 3.73mm	1.107" 28.12mm
	756152	.280 (7.11mm)	.680" 17.27mm	.147" 3.73mm	.827" 21.01mm
	756153	.210 (5.33mm)	.750" 19.05mm	.147" 3.73mm	.897" 22.78mm
	756155	.585 (14.86mm)	.375" 9.53mm	.147" 3.73mm	.522" 13.26mm
	756157	.460 (11.68mm)	.500" 12.7mm	.147" 3.73mm	.647" 16.43mm





Providing all maintenance conditions have been met, follow this systematic approach to diagnosis.

1. **MORE THAN ONE PULL IS REQUIRED TO BREAK FASTENER.**
 - a) Tool needs to be bled. (See filling and bleeding procedures pgs. 11 - 12).
 - b) Jaws are stripped or packed with chips. Clean or replace.
 - c) Incorrect nose assembly.

2. **SLOW OR PARTIAL OPERATION WHEN THE ACTUATOR (756142) IS DEPRESSED.**
 - a) Back-up Ring (401119) and O'rings (403815) on the piston assembly (756211) could be worn or damaged. Replace.
 - b) Back-up Rings (401086) and O'ring (403770) on the piston rod assembly (756134) could be worn or damaged. Replace.

3. **NO OPERATION WHEN ACTUATOR (756142) IS DEPRESSED.**
 - a) Tool seized due to mechanical failure or damaged parts.

4. **OIL LEAKAGE.**
 - a) **DO NOT** OPERATE WITH OIL LEAKING FROM TOOL. HIGH PRESSURE OIL MAY CAUSE SEVERE PERSONAL INJURY.
 - b) Any oil leaking externally should be traced to its source. An o'ring or seal that leaks should be replaced.

5. **AIR BYPASS FROM THROTTLE VALVE HOUSING.**
 - a) If the spring (50607) breaks, air will flow freely through the muffler (756145). Replace.
 - b) Check o'rings on throttle valve (756140). If worn or damaged, replace.

6. **FASTENER STEM JAMMED IN NOSE ASSEMBLY.**
 - a) Nose assembly components require service. **DISCONNECT AIR FROM TOOL**, remove the nose from the tool and disassemble. Replace worn or broken parts. Clean the surface the jaws ride on.
 - b) Stems lodged side by side in the follower. Disassemble, remove stems, and reassemble.
 - c) Incorrect follower.



- ⚠ WARNING:** Only qualified and trained personnel shall perform overhaul.
- ⚠ WARNING:** Personnel must read and understand all warnings and cautions.
- ⚠ WARNING:** Tool must be maintained in a safe working condition at all times and examined on a daily basis for damage or wear. Any repair must be done by qualified personnel trained on Gage Bilt procedures.
- ⚠ WARNING:** Disconnect tool from its power source before performing overhaul. Severe personal injury may occur if power source is not disconnected.
- ⚠ WARNING:** Excessive contact with hydraulic oil and lubricants must be avoided. (See safety data sheet documents for all applicable materials).
- ⚠ WARNING:** When operating, repairing or overhauling tool, wear approved eye protection. Do not look in front of tool or rear of tool when installing fastener.
- ⚠ WARNING:** Ensure air hose is securely connected to avoid possible hose whipping. (Air Actuated Tools only).
- ⚠ WARNING:** Depress actuator (756142) and disconnect from air, with the piston in the rear position, before overhaul. Severe personal injury may occur if air hose is not disconnected. **USE CAUTION** when forcing piston rod assembly downward with head cylinder removed. Hydraulic oil will eject forcibly from handle assembly.

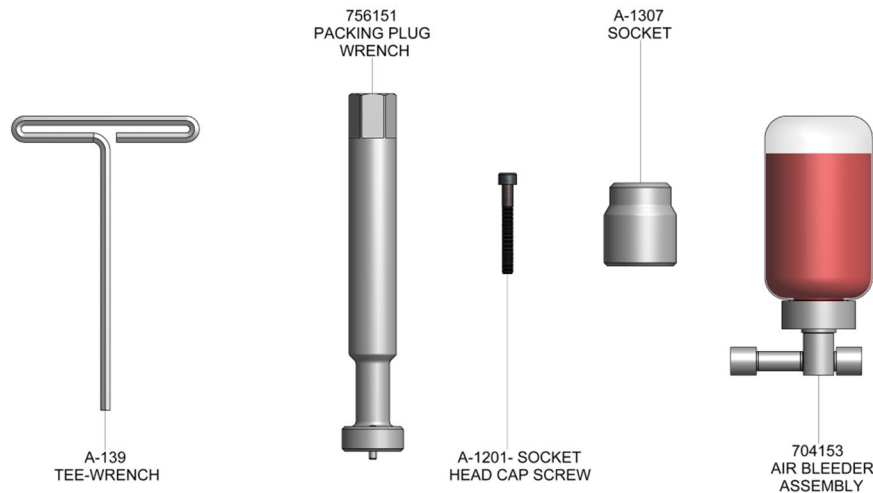
Note:

- Dispose of hydraulic oil in accordance with manufacture safety datasheet.
- All tool materials are recyclable except rubber o’rings, seals and wipers.
- It is recommended that tool kit (GB756TK) (see below) be used to facilitate overhaul.
- Use of *SERVICE KIT (756004)*, which contains a complete set of o’rings, back-up rings, screws, washers and gasket, can achieve a complete overhaul.

Perform overhaul in a clean, well lit area using care not to scratch or nick any smooth surface that comes in contact with an o’ring. Use of Lubriplate® (Gage Bilt part no. 402723) or other lubricant is recommended during reassembly to prevent tearing or distorting of o’rings.

The disassembly and re-assembly procedure can be accomplished by utilizing the following instructions and parts lists on pgs. 15 - 17. Use extreme care during disassembly and re-assembly not to mar or nick any smooth surface that comes in contact with seals. Before installing seals, always apply a good lubricant, such as Lubriplate®, to the surfaces.

Clean parts in mineral spirits or other o’ring compatible solvent being sure to clean o’ring grooves. Inspect components for scoring, excessive wear or damage.



GB756TK Service Tool Kit Includes:

Part No.	Description
A-139	Tee Wrench
756151	Packing Plug Wrench
A-1201	Socket Head Cap Screw
A-1307	DR 6PT Socket
704153	Air Bleeder Assembly

TOOL DISPOSAL

1. When tool life is met, drain hydraulic oil from tool and dispose of the hydraulic oil in accordance with the safety datasheet.
2. Disassemble tool and remove all rubber o’rings, seals, wipers and hydraulic hoses. All tool materials are recyclable except rubber o’rings, seals, wipers and hydraulic hoses. Dispose of rubber materials in accordance with the material safety datasheet.



⚠ WARNING: Disconnect tool from its air source before disassembly.

HEAD

1. Remove nose assembly and adapter from tool before disassembly of head cylinder (756300).
2. Remove deflector (756120) and end cap (756116).
3. Push against threaded end of piston assembly (756211) to slide it out of head cylinder (756300). Be careful not to damage threads or cause burrs on polished piston rod assembly surface.

The re-assembly sequence is the opposite of disassembly. (See Filling and Bleeding procedures pgs. 11 - 12). Apply Loctite® #242 and torque the four button-head cap screws (402479) uniformly to 35 - 40 inch lbs. (3.95 - 4.52 Nm) to prevent leakage around the gasket (756148).

HANDLE

To inspect air cylinder bore, remove base plate (756144), spring (50607), muffler (756145), gasket (756149), retaining ring (A-1086) and base cover (756124). Any further disassembly will require removal of the head cylinder (756300) first.

For complete disassembly.

1. Removing base plate (756144), muffler (756145), gasket (756149), retaining ring (A-1086) and base cover (756124).
2. Holding tool upright, remove four button-head cap screws (402479). Lift head cylinder (756300), gasket (756148) and gland-return (756126) from handle assembly (756229).
3. Use socket head cap screw (A-1201) to remove gland-return (756126).
4. Empty all hydraulic oil into an approved container and dispose of in accordance with the material safety data sheet.
5. Place tee wrench (A-139) down into top of power cylinder into hex on piston rod assembly (756134). While holding tee wrench (A-139), put a 9/16 socket wrench on flexlock nut (A-1089) and loosen piston rod cap “not shown” from piston rod.
6. Using vice grips, grab flexlock nut (A-1089) and remove air piston assembly (756121) from bottom of handle assembly (756229).
7. After removal of air piston assembly (756121), use packing plug wrench (756151) and remove packing plug (756218).
8. Stand tool upright and carefully push on top of power cylinder (756227) to eject from bottom of handle assembly (756229), not letting it drop and nick large cylinder bore handle. Remove piston rod cap from inside of power cylinder (756227).

To reassemble the handle assembly (756229).

1. Reverse the above procedure, being certain that all o'rings are properly lubricated. After installing the power cylinder (756227), install the packing plug (756218) and torque to 45 foot lbs. (61 Nm).
2. Push piston rod assembly (756134) thru the packing plug (756218) with the air piston assembly (756121) attached. Be sure when attaching air piston assembly (756121) to piston rod assembly (756134) that the washer i.d. with the chamfer on one side is face up. (See fig. “C”).
3. Install piston rod cap back into the power cylinder (756227) and tighten securely to the piston rod using tee wrench and 9/16 socket / adjustable wrench.
4. Re-install the spring (50607), muffler (756145), gasket (756149) and base cover (756124), retaining ring (A-1086) and base plate (756144).
5. With piston rod assembly (756134) in the down position, fill oil passages on top of handle assembly (756229) with automatic transmission oil. Dexron® III, or equivalent.
6. Replace gasket (756148) and gland return (756126), just prior to replacing head cylinder (756300). Torque all screws to manual specifications. (See Filling & Bleeding procedures pgs. 11 - 12) & (See torque specs. pg. 10).

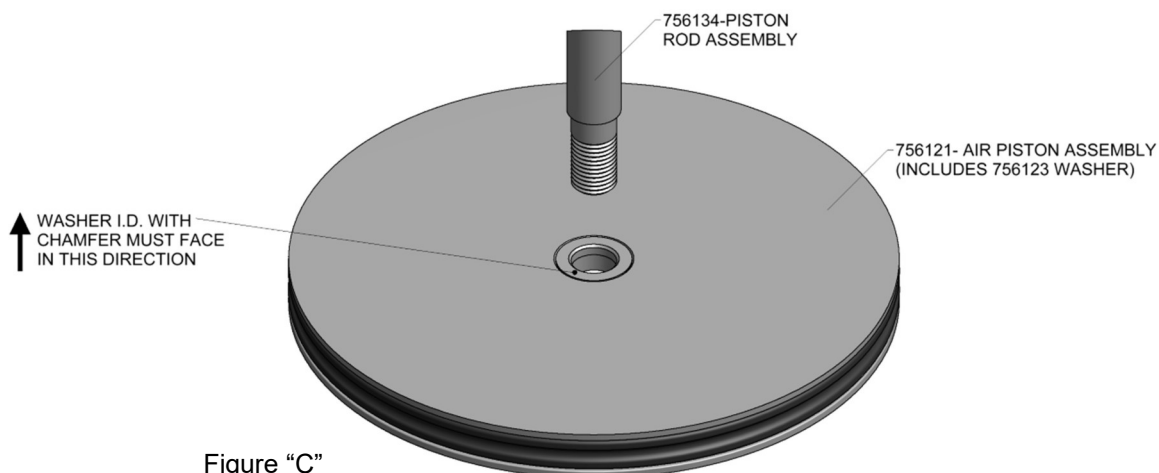
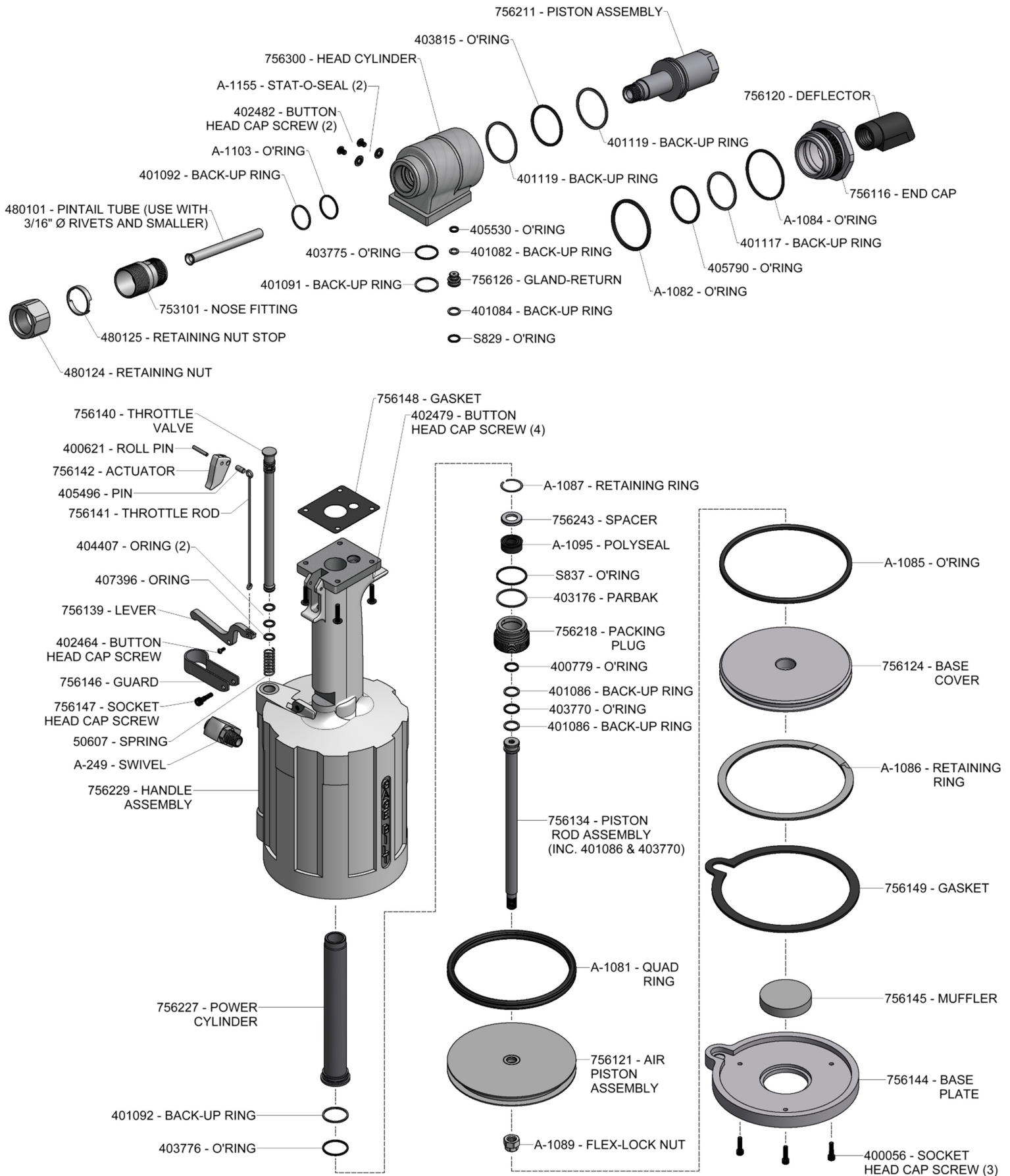


Figure “C”

PARTS LIST





FIRST AID MEASURES

Eye: No specific first aid measures are required. As a precaution, remove contact lenses, if worn, and flush eyes with water.
Skin: No specific first aid measures are required. As a precaution, remove clothing and shoes if contaminated. To remove the material from skin, use soap and water. Discard contaminated clothing and shoes or thoroughly clean before reuse.
Ingestion: No specific first aid measures are required. Do not induce vomiting. As a precaution, get medical advice.
Inhalation: No specific first aid measures are required. If exposed to excessive levels of material in the air, move the exposed person to fresh air. Get medical attention if coughing or respiratory discomfort occurs.
Note to Physicians: In an accident involving high-pressure equipment, this product may be injected under the skin. Such an accident may result in a small, sometimes bloodless, puncture wound. However, because of its driving force, material injected into a fingertip can be deposited into the palm of the hand. Within 24 hours, there is usually a great deal of swelling, discoloration, and intense throbbing pain. Immediate treatment at a surgical emergency center is recommended.

FIRE

Leaks/ruptures in high pressure system using materials of this type can create a fire hazard when in the vicinity of ignition sources (e.g. open flame, pilot lights, sparks, or electric arcs).

FLAMMABLE PROPERTIES:

Flashpoint: (Cleveland Open Cup) 178 °C (352 °F) Minimum

EXTINGUISHING MEDIA: Use water fog, foam, dry chemical or carbon dioxide (CO₂) to extinguish flames.

PROTECTION OF FIRE FIGHTERS:

Fire Fighting Instructions: This material will burn although it is not easily ignited. See Section 7 for proper handling and storage. For fires involving this material, do not enter any enclosed or confined fire space without proper protective equipment, including self-contained breathing apparatus.

Combustion Products: Highly dependent on combustion conditions. A complex mixture of airborne solids, liquids, and gases including carbon monoxide, carbon dioxide, and unidentified organic compounds will be evolved when this material undergoes combustion.

ACCIDENTAL RELEASE MEASURES

Protective Measures: Eliminate all sources of ignition in vicinity of spilled material.

Spill Management: Stop the source of the release if you can do it without risk. Contain release to prevent further contamination of soil, surface water or groundwater. Clean up spill as soon as possible. Use appropriate techniques such as applying non-combustible absorbent materials or pumping. Where feasible and appropriate, remove contaminated soil. Place contaminated materials in disposable containers and dispose of in a manner consistent with applicable regulations.

ECOLOGICAL INFORMATION

Waste disposal: In accordance with all environmental regulations applicable to your area.

Spillage: Prevent entry into drains, sewers and water course. Soak up with diatomaceous earth or other inert material. Store in appropriate container for disposal.

Ecotoxicity: This material is expected to be harmful to aquatic organisms and may cause long-term adverse effects in the aquatic environment. The ecotoxicity hazard is based on an evaluation of data for the components or a similar material.

HANDLING

Precautionary Measures: DO NOT USE IN HIGH PRESSURE SYSTEMS in the vicinity of flames, sparks and hot surfaces. Use only in well ventilated areas. Keep container closed. Keep out of the reach of children.

General Handling Information: Avoid contaminating soil or releasing this material into sewage and drainage systems and bodies of water.

Static Hazard: Electrostatic charge may accumulate and create a hazardous condition when handling this material. To minimize this hazard, bonding and grounding may be necessary but may not, by themselves, be sufficient. Review all operations which have the potential of generating and accumulating an electrostatic charge and/or a flammable atmosphere (including tank and container filling, splash filling, tank cleaning, sampling, gauging, switch loading, filtering, mixing, agitation, and vacuum truck operations) and use appropriate mitigating procedures.

DISPOSAL CONSIDERATIONS

Use material for its intended purpose or recycle if possible. Oil collection services are available for used oil recycling or disposal. Place contaminated materials in containers and dispose of in a manner consistent with applicable regulations.

GB756 ACCESSORIES



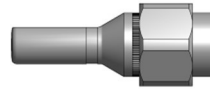
Approved for use on Gage Bilt CE installation tools and/or other manufacturer's CE approved tools of similar design.
(Sold Separately)

NOSE ASSEMBLY SELECTION CHART

STRAIGHT
(Sold Separately)

RIGHT ANGLE
(Sold Separately)

OFFSET
(Sold Separately)



FASTENER	DIA.	STRAIGHT	**RIGHT ANGLE	*OFFSET
ASP® 2 ASP & ASP PF ASP FF & ASP F ASP-LC and MAF	13/64 17/64 21/64	ASP06-745C-23 ASP06-745C-48 ASP08-745B-23 ASP08-745B-48 ASP10-755-23 ASP10-755-48	***ASP06-751B-54RA	ASP06-27OSSG ASP06-37OSSG ASP08-27OSSG ASP08-37OSSG ASP10-27OSSG ASP10-37OSSG
BOM®	1/4 5/16	BOM08-755A-23 BOM10-756-26		
COMMERCIAL LOCKBOLTS CSL® AVDELOK®	3/16 1/4 5/16 3/8	NAS06-2581-12 NAS06-2581-23 NAS08-2581-12 NAS08-2581-48 NAS08-2581-23 LB10-745C-26 NAS10-2581-48 LB12-756-26 NAS12-756-48		NAS06-25OSSG NAS06-30OSSG NAS06-34OSSG NAS08-25OSSG NAS08-30OSSG NAS08-34OSSG NAS10-208C-31 NAS12-208A-31
CONTAINER BOLT	3/8	HT12-756-23		
FLOOR BOLT	5/16	FT10-353A-28		
LGP® LOCKBOLT	5/32	LGP05-2581-12 LGP05-2581-23		LGP05-25OSSG LGP05-30OSSG LGP05-34OSSG
LGPL2SC-V BACB30VM LGPL18SC-V BACB30XT LGPL4SC-V ABS0548 LGPL2SP-V BACB30VN LGPL4SP-V ASNA2392 LGPL8SC-V BACB30WD LGPL9SC-V BACB30WB LGPL9SP-V BACB30VY BACB31N BACB31P	3/16 7/32 1/4 5/16 3/8	LGP06-2581-12 LGP06-2581-23 LGP07-2581-12 LGP07-755-23 LGP07-755-48 LGP08-2581-12 LGP08-2581-23 LGP08-2581-48 LGP10-2581-12 LGP10-2581-23 LGP10-2581-48 LGP12-745B-12 LGP12-756-26 LGP12-756-48		LGP06-25OSSG LGP06-30OSSG LGP06-34OSSG LGP07-25OSSG LGP07-30OSSG LGP07-34OSSG LGP08-25OSSG LGP08-30OSSG LGP08-34OSSG LGP10-208C-31 LGP12-208A-31
MLGP® (MILLIMETER) LOCKBOLT	4mm 5mm 6mm 8mm 10mm	MLGP4-2581-12 MLGP4-2581-23 MLGP4-2581-48 MLGP5-2581-12 MLGP5-2581-23 MLGP5-2581-48 MLGP6-2581-12 MLGP6-2581-23 MLGP6-2581-48 MLGP8-2581-12 MLGP8-2581-23 MLGP8-2581-48 MLGP10-2581-23 MLGP10-2581-48		MLGP4-25OSSG MLGP4-30OSSG MLGP4-34OSSG MLGP5-25OSSG MLGP5-30OSSG MLGP5-34OSSG MLGP6-25OSSG MLGP6-30OSSG MLGP6-34OSSG MLGP8-25OSSG MLGP8-30OSSG MLGP8-34OSSG
NAS and GP® SHEAR/TENSION LOCKBOLTS	5/32 3/16 1/4 5/16 3/8	NAS05-2581-12 NAST05-2581-12 NAS05-2581-23 NAST05-2581-23 NAS05-2581-48 NAST05-2581-48 NAS06-2581-12 NAS06-2581-23 NAS06-2581-48 NAS08-2581-12 NAS08-2581-23 NAS08-2581-48 NAS10-2581-12 NAS10-2581-23 NAS10-2581-48 NAS12-745B-12 NAS12-756-26 NAS12-756-48		NAS05-25OSSG NAST05-25OSSG NAS05-30OSSG NAST05-30OSSG NAS05-34OSSG NAST05-34OSSG NAS06-25OSSG NAS06-30OSSG NAS06-34OSSG NAS08-25OSSG NAS08-30OSSG NAS08-34OSSG NAS08-208A-31 NAS10-208C-31 NAS12-208A-31
MGP® (MILLIMETER) LOCKBOLT	4mm 5mm 6mm 8mm 10mm	MGP4-2581-23 MGP4-2581-48 MGP5-2581-23 MGP5-2581-48 MGP6-2581-23 MGP6-2581-48 MGP8-2581-23 MGP8-2581-48 MGP10-2581-23 MGP10-2581-48		MGP4-25OSSG MGP4-30OSSG MGP4-34OSSG MGP5-25OSSG MGP5-30OSSG MGP5-34OSSG MGP6-25OSSG MGP6-30OSSG MGP6-34OSSG
MULTI-GRIP LOCKBOLT MAGNA-GRIP® and MAXLOK®	3/16 1/4 5/16 3/8	MG06-745-24 MG06-745-48 MG08-745-24 MG08-745-48 MG10-756-28 MG12-756-28		
MULTI-GRIP STRUCTURAL BLIND RIVET	1/4 5/16 3/8	**MGL08-752A-21 MGL10-353-28 MGL12-353C-28		
OVERSIZE STRUCTURAL RIVET	1/4 5/16 3/8	OS08-353A-48 OS10-756-26 OS10-756-48 OS12-756A-26 OS12-756A-48		
BLIND BOLT (SINGLE ACTION) WITH OR W/OUT DRIVE WASHER	5/32 3/16 1/4 5/16 3/8	SB05-745C-23 SB05-745C-48 SB06-745B-23 SB06-745B-48 SB08-755-23 SB08-755-48 SB10-756-28 SB10-756-48 SB12-756-28 SB12-756-48	***SB05-751C-54RA ***SB06-751B-54RA ***SB08-713A-58RA	SB05-27OSSG SB05-37OSSG SB06-27OSSG SB06-37OSSG SB08-27OSSG SB08-37OSSG
BLIND BOLT (SINGLE ACTION) WITH DRIVE WASHER	5/32 3/16 1/4 5/16 3/8	UBB05-745C-23 UBB05-745C-48 UBB06-745B-23 UBB06-745B-48 UBB08-755-23 UBB08-755-48 UBB10-756-28 UBB10-756-48 UBB12-756-28 UBB12-756-48	***UBB05-751C-54RA ***UBB06-751B-54RA ***UBB08-713A-58RA	UBB05-27OSSG UBB05-37OSSG UBB06-27OSSG UBB06-37OSSG UBB08-27OSSG UBB08-37OSSG

XX-25OSSG, XX-30OSSG & XX-34OSSG, Offset Nose Assemblies are supplied with a one-piece Super Grip Jaw Assembly for dry applications.

For wet applications where sealant is used, XX-25OS, XX-30OS & XX-34OS Offset Nose Assemblies may be ordered. The "OS" designates that the Offset Nose Assembly will come with loose Jaws, Follower, Spring and Locator for easier cleaning.

Please note this only applies to cartridge style Offset Noses listed on chart above.

ASP®, BOM®, LGP®, CSL®, GP®, MLGP®, MGP®, and MAGNA-GRIP® ARE REGISTERED TRADEMARKS OF HOWMET AEROSPACE. AVBOLT®, AVDELOK®, AND MAXLOK® ARE REGISTERED TRADEMARKS OF AVDEL UK LIMITED. MAXI-BOLT® IS A REGISTERED TRADEMARK OF CHERRY AEROSPACE FASTENERS.

GAGE BILT CERTIFIES THE GB756 WILL INSTALL THE ABOVE FASTENERS

See www.gagebilt.com/nose_assemblies.php for nose assembly information (data sheets)

***ALL OFFSET "OSSG" SERIES NOSES REQUIRE 353206-1 ADAPTER WITH 756157 STROKE LIMITER.
***ALL OFFSET 208 SERIES NOSES REQUIRE 745208 ADAPTER & 756153 STROKE LIMITER.
**NOSE REQUIRES 745751 ADAPTER
***-54RA RIGHT ANGLE SERIES NOSES REQUIRE 745751 ADAPTER WITH 756155 STROKE LIMITER.
***-58RA RIGHT ANGLE SERIES NOSES REQUIRE 745751 ADAPTER WITH 756152 STROKE LIMITER.

NOTE: THE LAST 2 DIGITS OF THE NOSE ASSEMBLY REPRESENTS THE LENGTH THE NOSE EXTENDS FROM THE TOOL. I.E. -20 = 2.0 INCHES

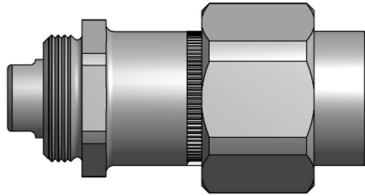
GB756 ACCESSORIES



Approved for use on Gage Bilt CE installation tools and/or other manufacturer's CE approved tools of similar design.
(Sold Separately)

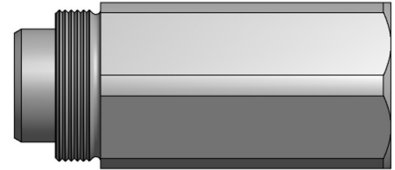
Adapter Assembly #353206-1

Adapts all offset "OSSG" series noses when used with the **756157** stroke limiter on the GB756 tool. See *Chart pg. 19*.
(Sold Separately)



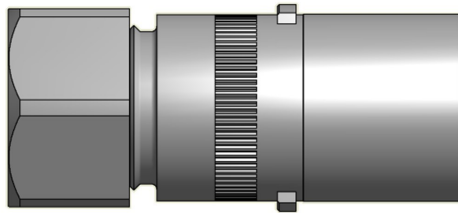
Adapter Assembly #745208

Adapts all offset 208 series noses when used with the **756153** stroke limiter on the GB756 tool. See *Chart pg. 19*.
(Sold Separately)



Adapter Assembly #745751

Adapts -54 & -58 RA series nose assemblies to GB756 installation tool w/ **756155** stroke limiter. See *Chart pg. 19*.
(Sold Separately)



Other adapters available. Contact Gage Bilt for

GB756 ACCESSORIES



Approved for use on Gage Bilt CE installation tools and/or other manufacturer's CE approved tools of similar design.
(Sold Separately)

Stroke Limiter

#756152

Required with all -58 RA series nose assemblies when used on GB756 tool. See *Chart pg. 19*.
(Sold Separately)



Stroke Limiter

#756157

Required with all "OSSG" series nose assemblies when used on GB756 tool. See *Chart pg. 19*.
(Sold Separately)



Stroke Limiter

#756153

Required with all 208 series nose assemblies when used with the 745208 adapter on GB756 tool. See *Chart pg. 19*.
(Sold Separately)



Stroke Limiter

#756155

Required with all -54 RA series nose assemblies when used on GB756 tool. See *Chart pg. 19*.
(Sold Separately)



Tool Stroke Depth Gage

#A-1935

(Sold Separately)



Image may not reflect actual gage.

GB756 ACCESSORIES



Approved for use on Gage Bilt CE installation tools and/or other manufacturer's CE approved tools of similar design.
(Sold Separately)

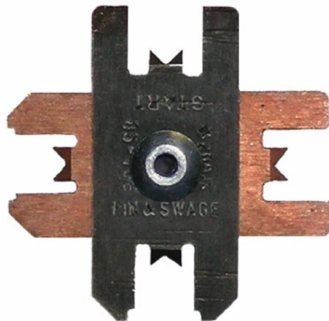
Catcher Bag-Stem
#756610
(Sold Separately)



Air Bleeder Assembly
#704153
(Sold Separately)



Grip Gage #GB105093
For NAS LOCKBOLTS and blind fasteners
(Sold Separately)



Gage Bilt also supplies pin & collar swage inspection gages to certify swage installation.
(Sold Separately)



STANDARD & OFFSET COLLAR FEEDERS

(Sold Separately)

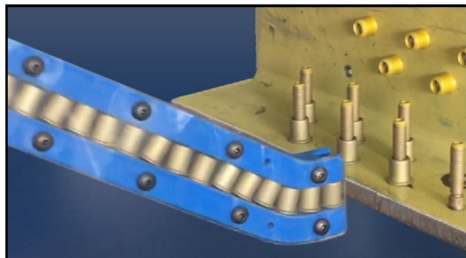
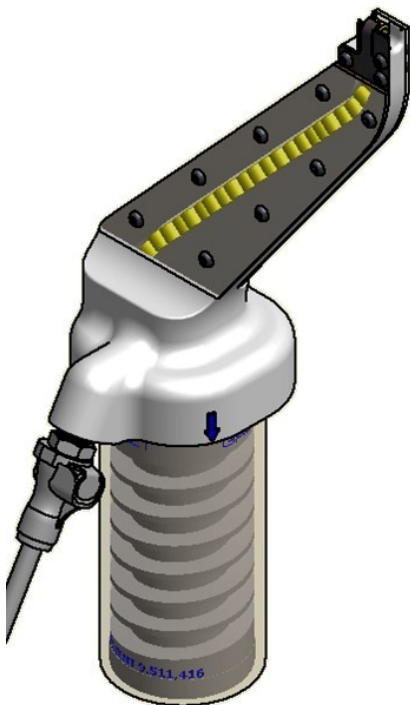


**Installation of
5/32" - 3/8" LGP® collars**
Contact Gage Bilt for more information
(Sold Separately)

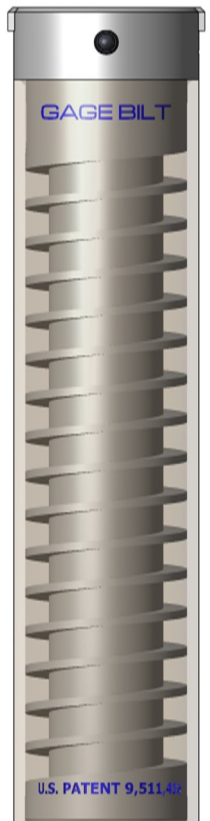
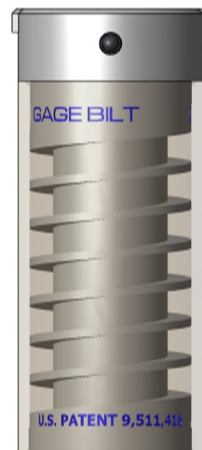


Gage Bilt Installation tool,
Standard and Offset Collar Feeders
(Sold Separately)

- SAFER COLLAR INSTALLATION
- INCREASE PRODUCTIVITY
- ELIMINATE FOD
- REDUCE FASTENER COSTS
- QUICK-CHANGE CARTRIDGE



**Installation of
5/32" - 3/8" LGP® collars**
Contact Gage Bilt for more information
(Sold Separately)



**Collar Feeder Cartridges
Available in
4" and 8" Lengths**
Contact Gage Bilt for
more information
(Sold Separately)



Images may not reflect actual tools

STRAIGHT FEED N SWAGE

(Sold Separately)



For use on Gage Bilt installation CE tools and/or other manufacturer's CE approved tools of similar design.

SWAGING: EASY AS...



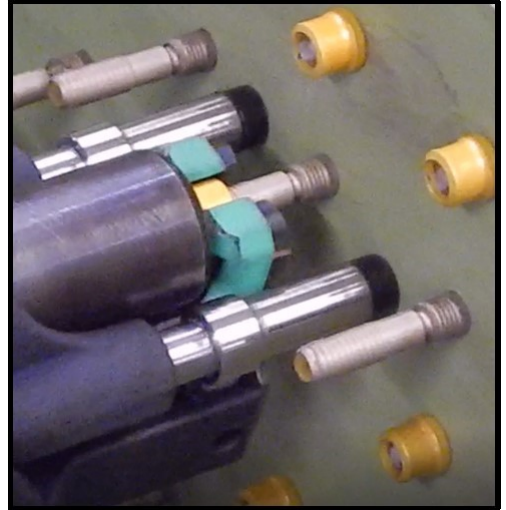
STRAIGHT FEED N SWAGE SEMI-AUTOMATIC INSTALLATION TOOL

FOR USE WITH THE GB731 HYDRAULIC INSTALLATION
TOOL OR THE GB745 HYDRAULIC INSTALLATION TOOL
WITH ADAPTER (745751)

FOR 5/32" - 3/8" LGP® 3SLC-C Collars
Contact Gage Bilt for more information
(Sold Separately)

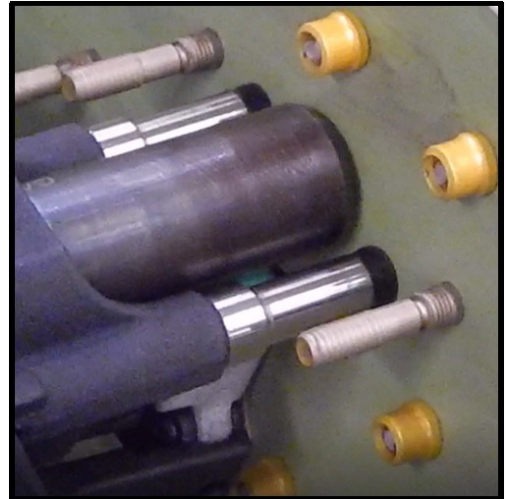
- SAFER COLLAR INSTALLATION
- INCREASE PRODUCTIVITY
- ELIMINATE FOD
- REDUCE FASTENER COSTS
- EASY FEED TUBE INSTALLATION

1



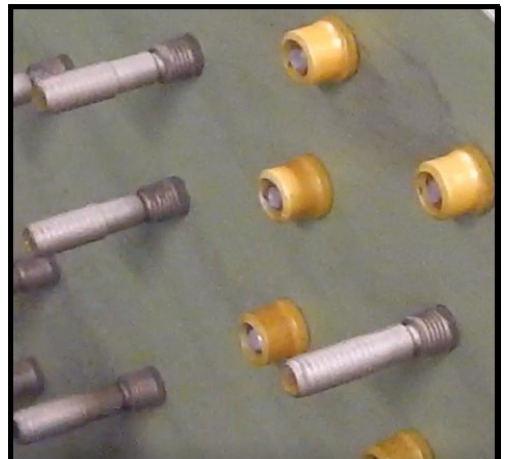
Operator presents nose to pintail and
feeder dispenses collar onto pin.

2



Feeder pivots, exposing nose for
installation, while picking up next collar.

3



Feeder automatically returns to original
position for next lockbolt installation.

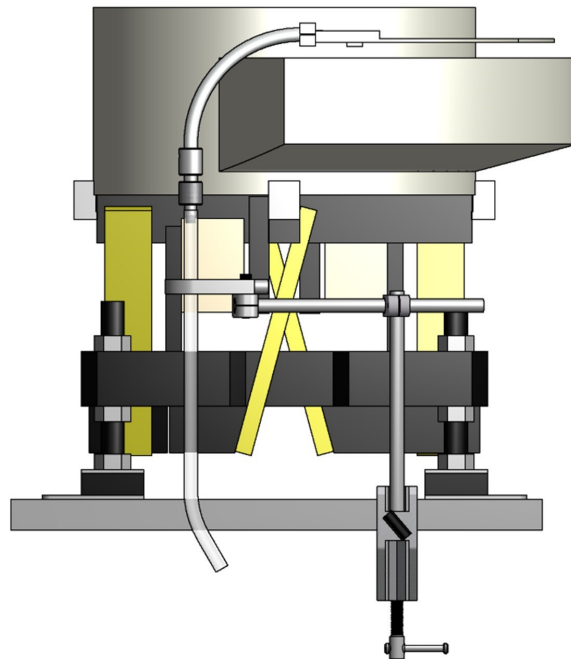
Images may not reflect actual tool

COLLAR FEEDER BOWLS

(Sold Separately)



**Collar Feeder Bowl
Feeds collars in Cartridge**
Contact Gage Bilt for more information.
(Sold Separately)

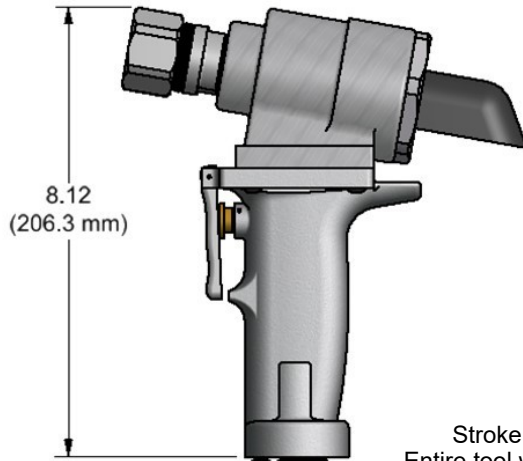


**Collar Feeder Bowl
For Straight Feed N Swage
Feeds collars into feeder tube**
Contact Gage Bilt for more information.
(Sold Separately)

Images may not reflect actual feeder bowl or parts

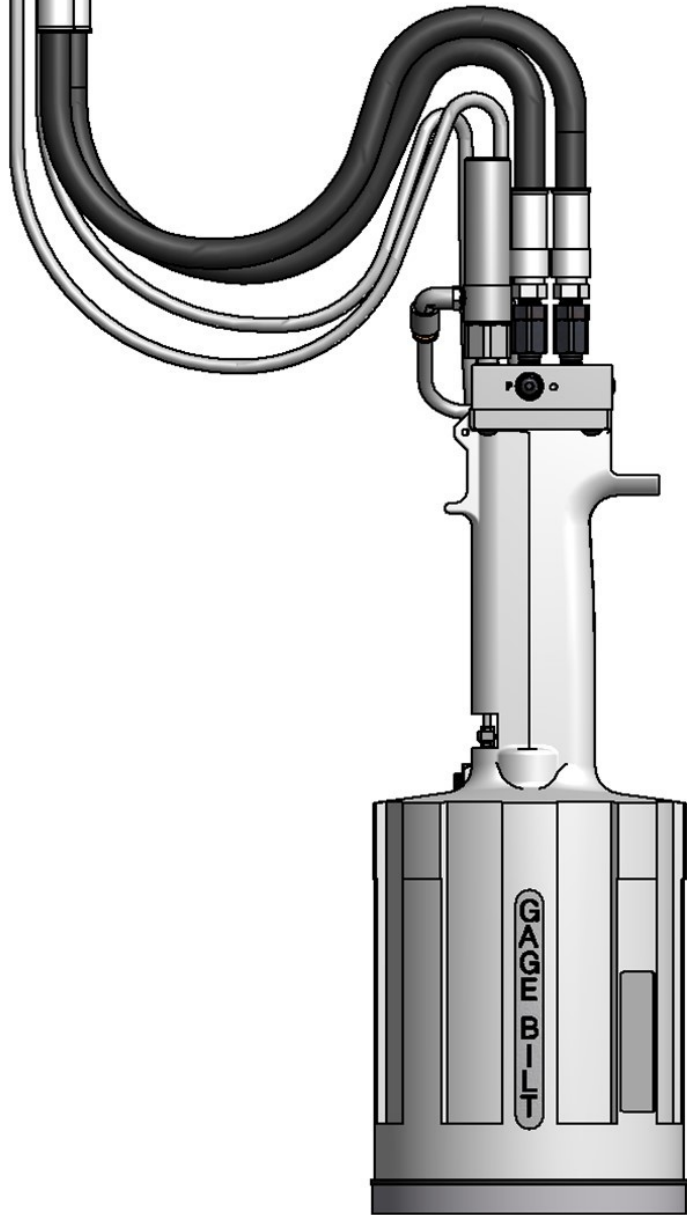
ALTERNATIVE STYLES

(Sold Separately)



GB756SH

Stroke - .960" (24.4 mm)
Entire tool weight - 15.9 lbs. (7.2 kg)
Pull load - 10,000 (44.5 kN)





This page intentionally left blank

RIVETER KITS AVAILABLE

(Sold Separately)



Gage Bilt offers a wide selection of standard and custom kits tailored to your needs.
Contact us for more information.



**CE
Approved**



**CE
Approved**

DEXRON® IS A REGISTERED TRADEMARK OF GENERAL MOTORS CORPORATION. LUBRIPLATE® IS A REGISTERED TRADEMARK OF FISKE BROTHERS REFINING. LOCTITE® IS A REGISTERED TRADEMARK OF HENKEL CORPORATION. TEFLON® IS REGISTERED TRADEMARK OF E.I. DUPONT DE NEMOURS & CO. SLIC-TITE® IS A REGISTERED TRADEMARK LA-CO INDUSTRIES.

GB756 S/N: 1226 AND ABOVE
PLEASE CONTACT GAGE BILT FOR ALL OTHER SERIAL NUMBERS.