

GB756

PNEUDRAULIC INSTALLATION TOOL

GAGE BILT

RIVET & LOCKBOLT TOOLS

44766 Centre Ct. Clinton Twp. MI 48038 USA

+1 586. 226.1500

+1 586. 226.1505

solutions@gagebilt.com

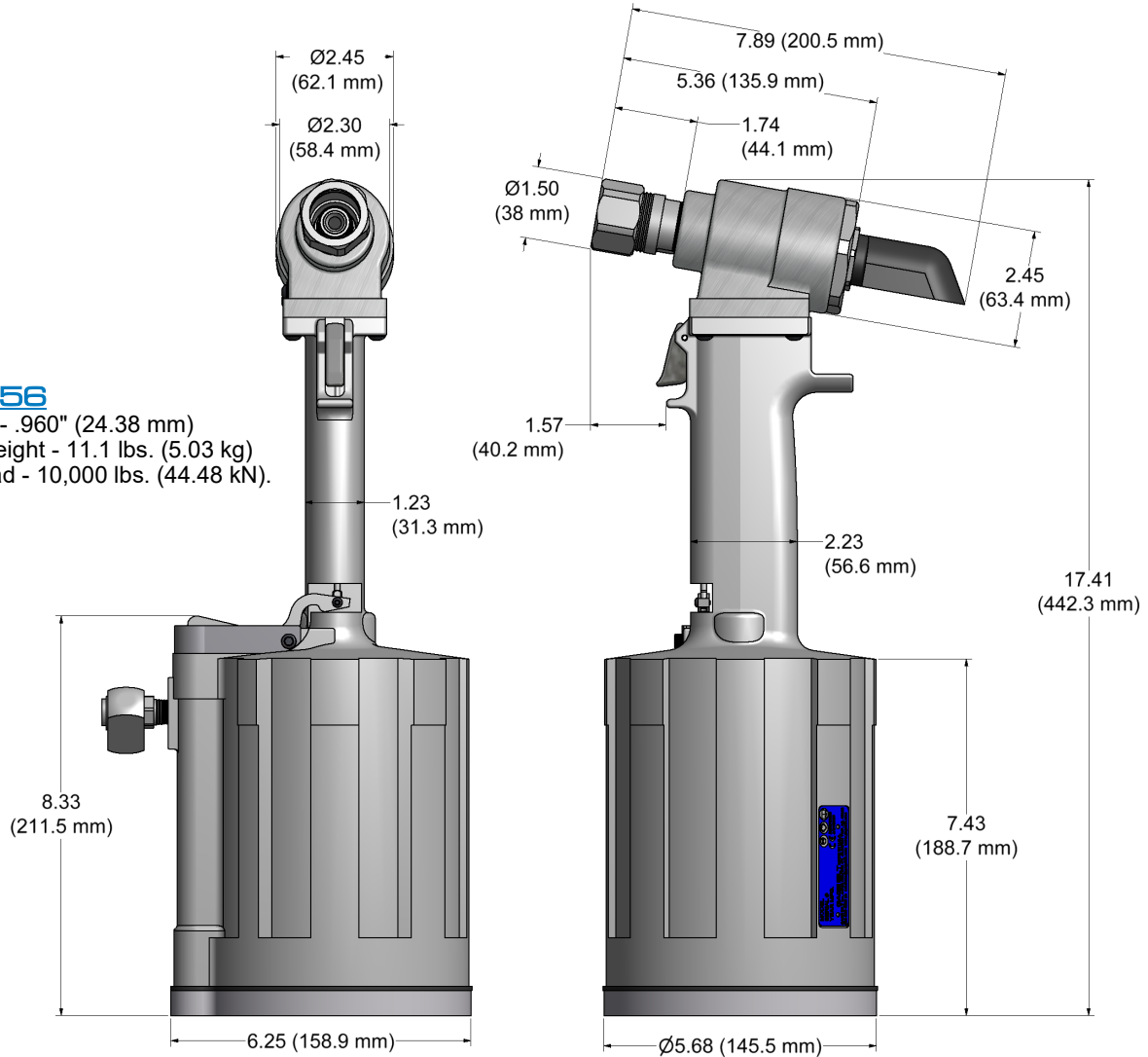
www.gagebilt.com

GB756

Stroke - .960" (24.38 mm)

Tool weight - 11.1 lbs. (5.03 kg)

Pull load - 10,000 lbs. (44.48 kN).



The **GB756** is a Pneumatic-hydraulic installation tool designed specifically for the efficient installation of blind rivets, lockbolts and MagnaGrip® fasteners. It can be operated in any position and have a rated pull load of 10,000 (44.48 kN) pounds with 90 psi (6.2 bar) air pressure at the air inlet.

The **GB756** installation tool operates on 90 to 100 psi. (6.2 - 6.9 bar) of air pressure, with 90 psi. (6.2 bar) providing the maximum efficiency. At 90 psi. (6.2 bar) of air pressure, the **GB756** does not exceed 94.3 dB(A) and consumes .30 SCF/cycle (8.50 L/cycle). The air inlet is provided with 1/4 - 18 female pipe thread to accept the users air hose fitting.

**NOSE ASSEMBLIES ARE NOT FURNISHED WITH
TOOL AND MUST BE ORDERED SEPARATELY**





GB756 ACCESSORIES

Approved for use on Gage Bilt CE installation tools and/or other manufacturer's CE approved tools of similar design. (Sold Separately)



ACCESSORIES

(Sold Separately)

Air Bleeder Assy #704153
Sold Separately

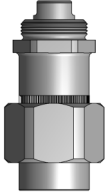


Catcher Bag-Stem #756610
(Sold Separately)



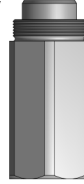
Adapter Assembly #353206-1

Adapts all offset "OSSG" series noses when used with the **756157** stroke limiter on the GB756 tool. (Sold Separately)



Adapter Assembly #745208

Adapts all offset 208 series noses when used with the **756153** stroke limiter on the GB756 tool. (Sold Separately)



Adapter Assembly #745751

Adapts -54 & -58 RA series nose assemblies to GB756 installation tool w/ **756155** stroke limiter. (Sold Separately)



Stroke Limiter #756152

Required with all -58 RA series nose assemblies when used on GB756 tool. (Sold Separately)



Stroke Limiter #756157

Required with all "OSSG" series nose assemblies when used on GB756 tool. (Sold Separately)



Stroke Limiter #756153

Required with all 208 series nose assemblies when used with the 745208 adapter on GB756 tool. (Sold Separately)



Stroke Limiter #756155

Required with all -54 RA series nose assemblies when used on GB756 tool. (Sold Separately)

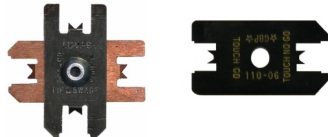


RIVETER KITS

Gage Bilt offers a wide selection of standard and custom kits tailored to your needs. Contact us for more information.



GAGE BILT ALSO SUPPLIES PIN & COLLAR SWAGE INSPECTION GAGES TO CERTIFY CORRECT SWAGE INSTALLATION.
(Sold Separately)



XX-25OSSG, XX-30OSSG & XX-34OSSG, Offset Nose Assemblies are supplied with a one-piece Super Grip Jaw Assembly for dry applications.

For wet applications where sealant is used, **XX-25OS, XX-30OS & XX-34OS Offset Nose Assemblies** may be ordered. The "OS" designates that the Offset Nose Assembly will come with loose Jaws, Follower, Spring and Locator for easier cleaning.

Please note *this only applies* to cartridge style Offset Noses listed on chart above.

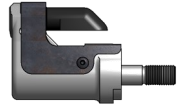
NOSE ASSEMBLY CHART

(Sold Separately)

STRAIGHT
(Sold Separately)

RIGHT ANGLE
(Sold Separately)

OFFSET
(Sold Separately)



FASTENER	DIA.	STRAIGHT	**RIGHT ANGLE	*OFFSET		
ASP® 2 ASP F & ASP FF ASP FF & ASP F ASP-LC and MAF	13/64 17/64 21/64	ASFP08-745C-23 ASFP08-745B-23 ASFP10-755-23	ASFP08-745C-48 ASFP08-745B-48 ASFP10-755-48	***ASFP06-751B-54RA	ASFP06-27OSSG ASFP10-27OSSG	ASFP08-37OSSG ASFP10-37OSSG
BOM®	1/4 5/16	BOM08-755A-23 BOM10-756-26				
COMMERCIAL LOCKBOLTS C6L® AVDELOK®	3/16 1/4 5/16 3/8	NAS06-2581-12 NAS06-2581-23 NAS08-2581-12 LBP10-745C-26 LB12-756-26	NAS06-2581-48 NAS08-2581-48 NAS10-2581-48 NAS12-756-26		NAS06-25OSSG NAS06-34OSSG NAS08-25OSSG NAS10-208C-31 NAS12-208A-31	NAS06-30OSSG NAS08-30OSSG
CONTAINER BOLT FLOOR BOLT	3/8 5/16	HT12-756-23 FT10-353A-28				
LGP® LOCKBOLT	5/32 3/16	LGP05-2581-12 LGP05-2581-48 LGP06-2581-12 LGP06-2581-48	LGP05-2581-23 LGP06-2581-23		LGP05-25OSSG LGP05-34OSSG LGP06-25OSSG LGP06-34OSSG	LGP05-30OSSG LGP06-30OSSG
LGPL25C-V LGPL195C-V LGPL45C-V LGPL25P-V LGPL45P-V LGPL85C-V LGPL95C-V LGPL95P-V BACB31N	BACB30VM BACB30XT ABS0548 BACB30VN ASNA2392 BACB30WD BACB30WB BACB30VY BACB31P	7/32 1/4 5/16 3/8	LGP07-755-48 LGP08-2581-12 LGP10-2581-12 LGP12-756-26 LGP12-756-48	LGP07-755-23 LGP08-2581-23 LGP10-2581-23 LGP12-756-26	LGP07-25OSSG LGP08-25OSSG LGP10-208C-31 LGP12-208A-31	LGP07-30OSSG LGP08-30OSSG
MLGP® (MILLIMETER) LOCKBOLT	4mm 5mm 6mm 8mm 10mm	MLGP4-2581-12 MLGP4-2581-23 MLGP5-2581-12 MLGP6-2581-12 MLGP8-2581-12 MLGP8-2581-23 MLGP10-2581-23	MLGP4-2581-48 MLGP5-2581-48 MLGP6-2581-48 MLGP8-2581-48 MLGP8-2581-48 MLGP10-2581-48		MLGP4-25OSSG MLGP4-34OSSG MLGP5-25OSSG MLGP6-25OSSG MLGP8-25OSSG MLGP8-34OSSG	MLGP4-30OSSG MLGP5-30OSSG MLGP6-30OSSG MLGP8-30OSSG
NAS and GP® SHEAR/TENSION LOCKBOLTS	5/32 3/16	NAS05-2581-12 NAS05-2581-23 NAS05-2581-48 NAS06-2581-12 NAS08-2581-12 NAS08-2581-23 NAS10-2581-12 NAS10-2581-48 NAS12-745B-12 NAS12-756-48	NAST05-2581-12 NAST05-2581-23 NAST05-2581-48 NAST06-2581-12 NAST08-2581-23 NAST08-2581-23 NAST10-2581-23 NAST10-2581-48 NAS12-756-26		NASS05-25OSSG NASS05-30OSSG NASS05-34OSSG NASS06-25OSSG NASS08-25OSSG NASS08-30OSSG NAS10-208C-31 NAS12-208A-31	NAST05-25OSSG NAST05-30OSSG NAST05-34OSSG NASS06-30OSSG NAS08-30OSSG NAS08-208A-31
MGP® (MILLIMETER) LOCKBOLT	4mm 5mm 6mm 8mm 10mm	MGP4-2581-12 MGP5-2581-12 MGP6-2581-12 MGP8-2581-12 MGP10-2581-12	MGP4-2581-48 MGP5-2581-48 MGP6-2581-48 MGP8-2581-48 MGP10-2581-48		MGP4-25OSSG MGP4-34OSSG MGP5-25OSSG MGP6-25OSSG MGP8-34OSSG	MGP4-30OSSG MGP5-30OSSG MGP6-30OSSG
MLT-GRP LOCKBOLT MAGNA-GRP® and MAXLOK®	3/16 1/4 5/16 3/8	MG08-745-24 MG08-745-48 MG10-756-28 MG12-756-28	MG08-745-48			
MLT-GRP STRUCTURAL BLIND RIVET	1/4 5/16 3/8	**MGL08-752A-21 MGL10-353-28 MGL12-353C-28				
OVERSIZE STRUCTURAL RIVET	1/4 5/16 3/8	OS08-353A-48 OS10-756-26 OS12-756A-26	OS10-756-48			
BLIND BOLT (SINGLE ACTION) WITH OR W/OUT DRIVE WASHER	5/32 3/16 1/4	SB05-745C-23 SB06-745B-23 SB08-755-23	SB05-745C-48 SB06-745B-48 SB08-755-48	***SB05-751C-54RA ***SB06-751B-54RA ***SB08-713A-58RA	SB05-27OSSG SB06-27OSSG SB08-27OSSG	SB05-37OSSG SB06-37OSSG SB08-37OSSG
BLIND BOLT (SINGLE ACTION) WITH DRIVE WASHER	5/32 3/16 1/4	UBB05-745C-23 UBB06-745B-23 UBB08-755-23	UBB05-745C-48 UBB06-745B-48 UBB08-755-48	***UBB05-751C-54RA ***UBB06-751B-54RA ***UBB08-713A-58RA	UBB05-27OSSG UBB06-27OSSG UBB08-27OSSG	UBB05-37OSSG UBB06-37OSSG UBB08-37OSSG
CR7000 SERIES, BACB30VY, YU, & YT	5/16 3/8	UBB10-756-28 UBB12-756-28	UBB10-756-48 UBB12-756-48			

ASP®, BOM®, LGP®, C6L®, GP®, MLGP®, MGP®, and MAGNA-GRP® ARE REGISTERED TRADEMARKS OF HOWMET AEROSPACE. AVDELOK®, AVDELOK®, and MAXLOK® ARE REGISTERED TRADEMARKS OF AVDEL UK LIMITED. MACH-BOLT™ IS A REGISTERED TRADEMARK OF CHERRY AEROSPACE FASTENERS.

GAGE BILT CERTIFIES THE GB756 WILL INSTALL THE ABOVE FASTENERS

See www.gagebilt.com/nose_assemblies.php for nose assembly information (data sheets)

*ALL OFFSET "OSSG" SERIES NOSES REQUIRE 353206-1 ADAPTER WITH 756157 STROKE LIMITER.

**ALL OFFSET 208 SERIES NOSES REQUIRE 745208 ADAPTER & 756153 STROKE LIMITER.

***NOSE REQUIRES 745751 ADAPTER

****54RA RIGHT ANGLE SERIES NOSES REQUIRE 745751 ADAPTER WITH 756155 STROKE LIMITER.

*****58RA RIGHT ANGLE SERIES NOSES REQUIRE 745751 ADAPTER WITH 756152 STROKE LIMITER.

NOTE: THE LAST 2 DIGITS OF THE NOSE ASSEMBLY REPRESENTS THE LENGTH THE NOSE EXTENDS FROM THE TOOL. I.E. -20 = 2.0 INCHES

Rev. 4/24

Grip Gage #GB105093
For NAS LOCKBOLTS and blind fasteners
(Sold Separately)

