

GB740

PNEUDRAULIC INSTALLATION TOOL

GAGE BILT

RIVET & LOCKBOLT TOOLS

44766 Centre Ct. Clinton Twp. MI 48038 USA

+1 586. 226.1500

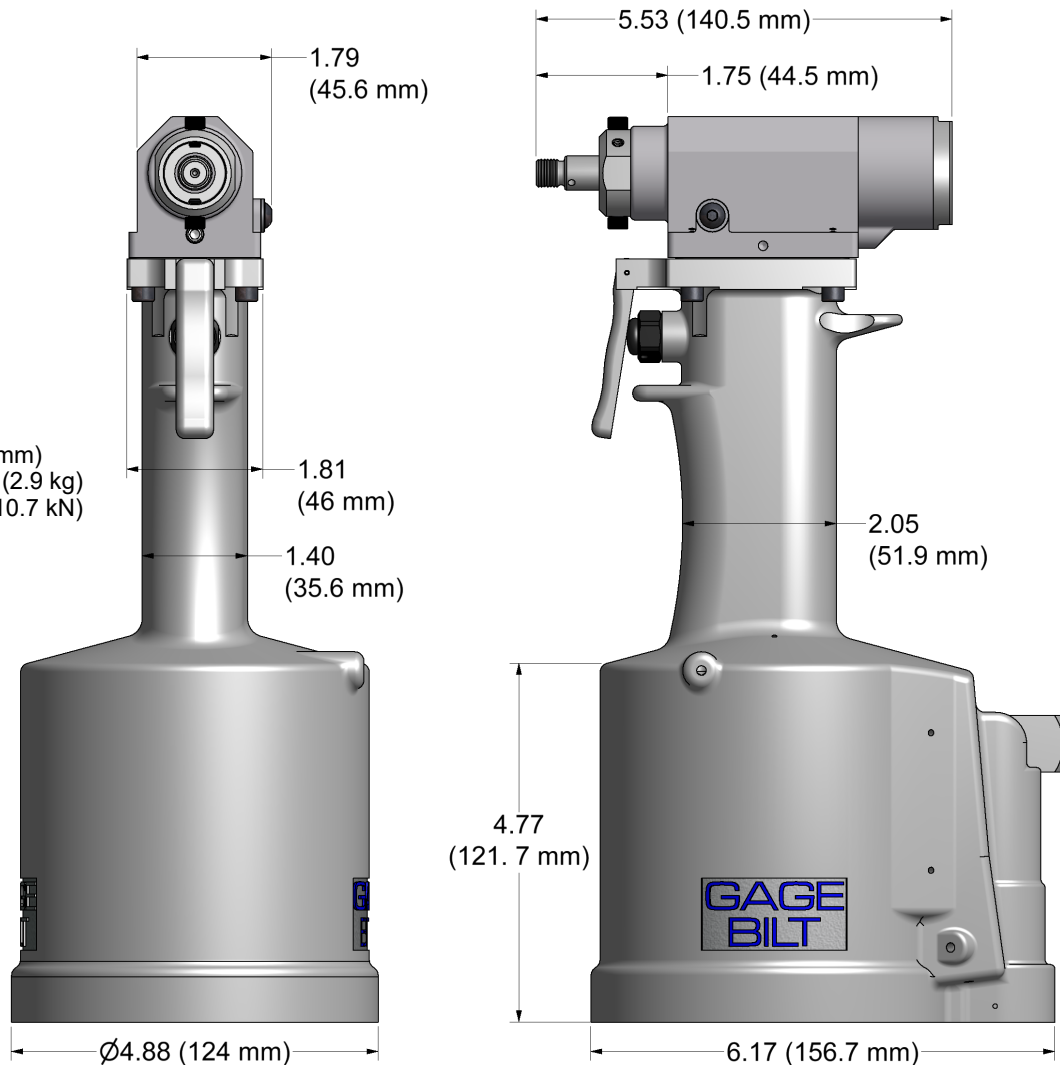
+1 586. 226.1505

solutions@gagebilt.com

www.gagebilt.com

GB740

Stroke - .1330" (33.78mm)
Tool weight - 6.50 lbs. (2.9 kg)
Pull load - 2,400 lbs. (10.7 kN)



The **GB740** is a pneumatic-hydraulic installation tool, designed specifically for the efficient installation of blind rivets. They can be operated in any position and have a rated pull load of 2,400 (10.7 kN) pounds with 90 psi (6.2 bar) air pressure at the air inlet.

The **GB740** installation tool operates on 90 to 100 psi. (6.2-6.9 bar) of air pressure, with 90 psi. (6.2 bar) providing the maximum efficiency. At 90 psi. (6.2 bar) of air pressure, the **GB740** series does not exceed 81.5 dB(A) and consumes .30 SCF/cycle (8.50 L/cycle). The air inlet is provided with 1/4-18 female pipe thread to accept the users air hose fitting.

**NOSE ASSEMBLIES ARE NOT FURNISHED WITH
TOOL AND MUST BE ORDERED SEPARATELY**





GB740 ACCESSORIES



Approved for use on Gage Bilt CE installation tools and/or other manufacturer's CE approved tools of similar design.
(Sold Separately)

ACCESSORIES

(Sold Separately)

Air Bleeder Assy

#704153

(Sold Separately)



Catcher Bag-Stem

#756610

(Sold Separately)



Catcher Bag-Stem

#704214

(Sold Separately)

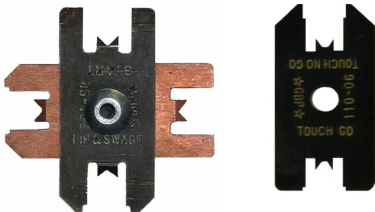
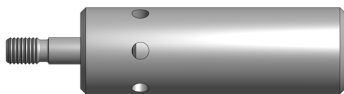


Adapter

#740715

Adapts 715 series nose assy's to GB740 tool (See chart).

(Sold Separately)



Gage Bilt also supplies pin & collar swage inspection gages to certify swage installation.

(Sold Separately)

NOSE ASSEMBLY CHART

(Sold Separately)

STRAIGHT

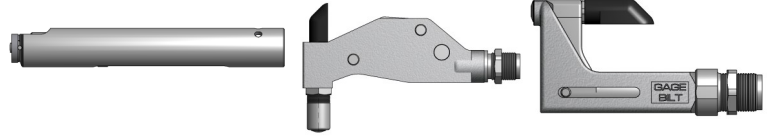
(Sold Separately)

RIGHT ANGLE

(Sold Separately)

OFFSET

(Sold Separately)



FASTENER	DIA.	STRAIGHT	RIGHT ANGLE	OFFSET
MS20600 SERIES	1/8	4C-740B-52	4C-715A-54RA 1, 2	4C-715A-40OS 1
MS/9SP/PT	5/32	5C-740B-52	5C-715A-54RA 1, 2	5C-715A-40OS 1
NUT PLATE	3/16	6C-740B-52	6C-715A-54RA 1, 2	6C-715A-40OS 1
BACR15CC/CF/DA/DR	1/4	8C-740B-52		
OLYMPIC LOK®	1/8	4A-740B-52	4A-715A-54RA 1, 2	4A-715A-40OS 1
BULB LOK®	5/32	5A-740B-52	5A-715A-54RA 1, 2	5A-715A-40OS 1
NAS1398A, NAS1399A	3/16	6A-740B-52	6A-715A-54RA 1, 2	6A-715A-40OS 1
NAS1738A, NAS1739A	1/4	8A-740B-52		
CHERRYLOCK®	1/8	4C-640-64		4C-640A-50
NAS1398, NAS 1399 ₃	5/32	5C-640-64		5C-640A-50
NAS1738, NAS 1739 ₄	3/16	6C-640-64		6C-640A-50
	1/4	8C-640-64		8C-640A-50
GROUND STUD				
M83454	8/32	GS8-715B-43 ₁	GS8-715A-54RA 1, 2	GS8-715A-40OS 1
BACSS53B1EA1/2				

CHERRYLOCK® IS A REGISTERED TRADEMARK OF CHERRY AEROSPACE. OLYMPIC LOK & BULB LOK® ARE REGISTERED TRADEMARKS OF ALLFAST FASTENING SYSTEM S INC.

GAGE BILT CERTIFIES THE GB740 WILL INSTALL THE ABOVE FASTENERS

- 1) REQUIRES 740715 ADAPTER.
 - 2) RIGHT ANGLE NOSE ASSEMBLIES MAY REQUIRE MORE THAN 1 PULL.
 - 3) 1/4 DIAMETER ALUMINUM & MONEL® ONLY.
 - 4) THRU 3/16 DIAMETER ONLY.
- *ALL COUNTERSUNK 'C' NOSE ASSEMBLIES MAY BE USED TO INSTALL BOTH UNIVERSAL AND COUNTERSUNK HEAD RIVETS.

NOTE: THE LAST 2 DIGITS OF THE NOSE ASSEMBLY REPRESENTS THE LENGTH THE NOSE EXTENDS FROM THE TOOL I.E. -52 = 5.2 INCHES

3/20

Riveter Kits

(Sold Separately)

Gage Bilt offers a wide selection of standard and custom kits tailored to your needs.
Contact us for more information.



CE Approved

Grip Gage #269G3

For CHERRYMAX® and CHERRYLOCK® rivets
(Sold Separately)



Grip Gage #GB105093

For NAS LOCKBOLTS and blind fasteners
(Sold Separately)

