

GB5500 SERIES COLLAR FEEDER

GAGE BILT

RIVET & LOCKBOLT TOOLS

44766 Centre Ct. Clinton Twp. MI 48038 USA

+1 586. 226.1500

+1 586. 226.1505

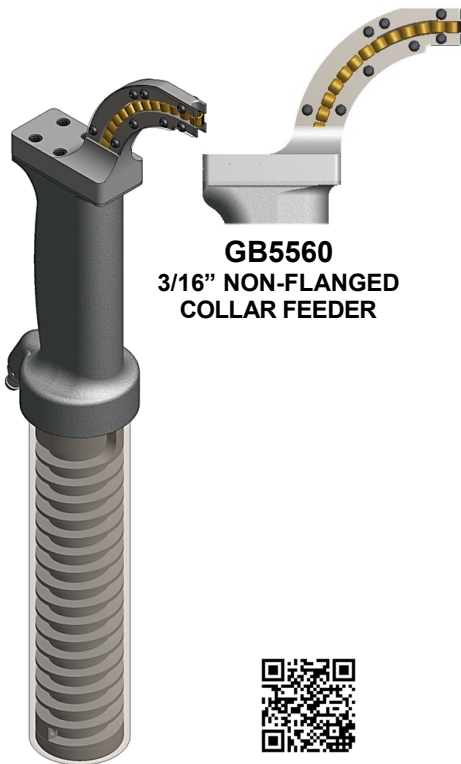
solutions@gagebilt.com

www.gagebilt.com



- ☒ SAFER COLLAR INSTALLATION
- ☒ INCREASE PRODUCTIVITY
- ☒ ELIMINATE FOD
- ☒ REDUCE FASTENER COSTS
- ☒ QUICK-CHANGE CARTRIDGE

Standard and Offset Collar Feeders



GB5560
3/16" NON-FLANGED
COLLAR FEEDER



GB5588F
1/4" FLANGED
COLLAR FEEDER



GB5564FO
3/16" FLANGED
OFFSET
COLLAR FEEDER



Watch it
in action

*Other sizes available upon request





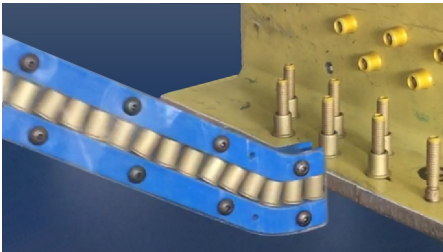
Installation of Flanged 3/16"-1/4" LGP® collars

Other sizes available upon request



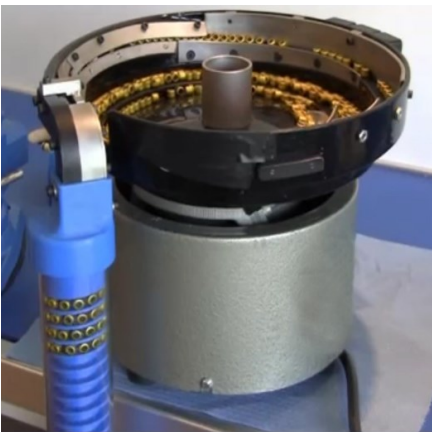
Installation of Non-Flanged 3/16"-1/4" LGP® collars

Other sizes available upon request



Installation of Flanged 3/16"-1/4" LGP® collars

Other sizes available upon request



Collar Feeder Bowl Feeds collars in cartridge

Fills cartridge in less than 1 minute