

GB105BRBB

BLIND RIVET/BLIND BOLT
REMOVAL KIT
FOR

BLIND RIVETS
MLSP/MLS100,
NAS1919, NAS1921

BLIND BOLTS
MS21140, MS21141,
MS90353, MS90354

GAGE BILT

RIVET & LOCKBOLT TOOLS

44766 Centre Ct. Clinton Twp. MI 48038 USA

+1 586. 226.1500

+1 586. 226.1505

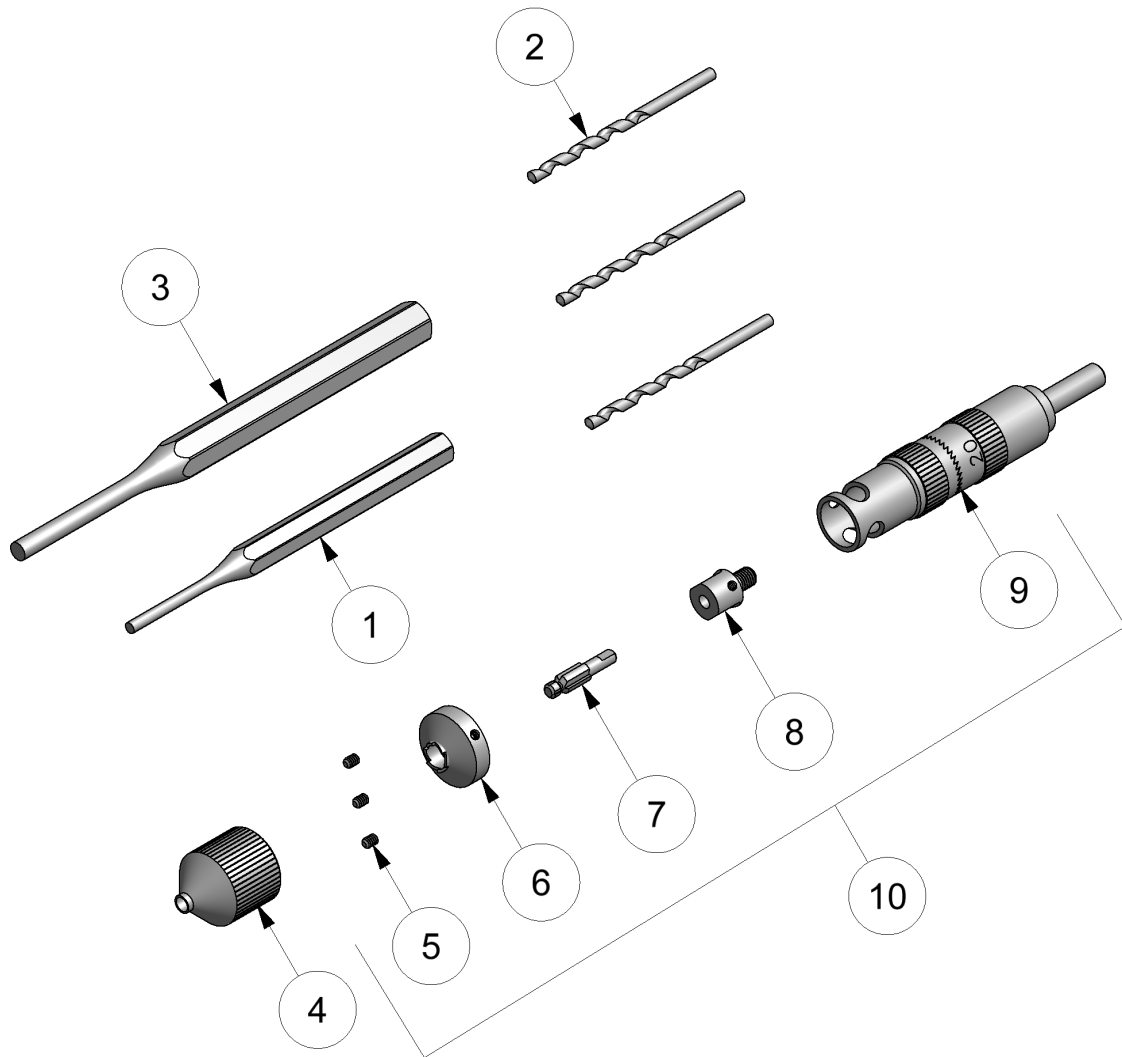
solutions@gagebilt.com

www.gagebilt.com





GB105BRBB KIT PARTS LIST



Ref. No.	Qty.	Description	GB105-24	GB105-25	GB105-50	GB105-60	GB105-80
			1/8 BR Blind Rivet NAS-	5/32 BR Blind Rivet NAS-	5/32 BB Blind Bolt MS-	3/16 BB Blind Bolt MS-	1/4 BB Blind Bolt MS-
1	1	Pin Punch	403009	403010	403010	403010	403012
2	3	Drill	404384	404385	402999	403000	403001
3	1	Sleeve Punch	403011	403012	403012	403013	403015
4	1	Drill Bushing	105524	105521	105525	105526	105528
5	3	Set Screw	401775	401775	401775	401775	401775
6	1	Anti-Rotation Cap	105534	105535	105535	105535	105538
7	1	Cutter	105504	105501	105505	105506	105508
8	1	Cutter Holder	105514	105515	105515	105516	105516
9	1	Micro Limit Tool	105000	105000	105000	105000	105000
10	-	Micro Limit Tool Assembly (Includes Numbers 5-9)	105240	105250	105050	105060	105080

*GB105BRBB kit includes 2 (402443) Hex Keys