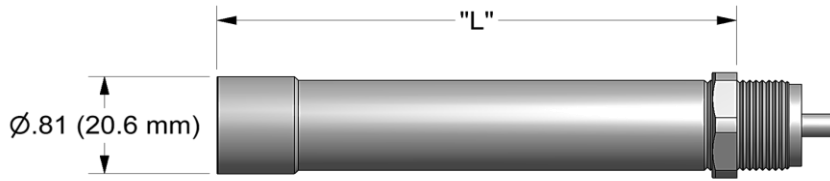
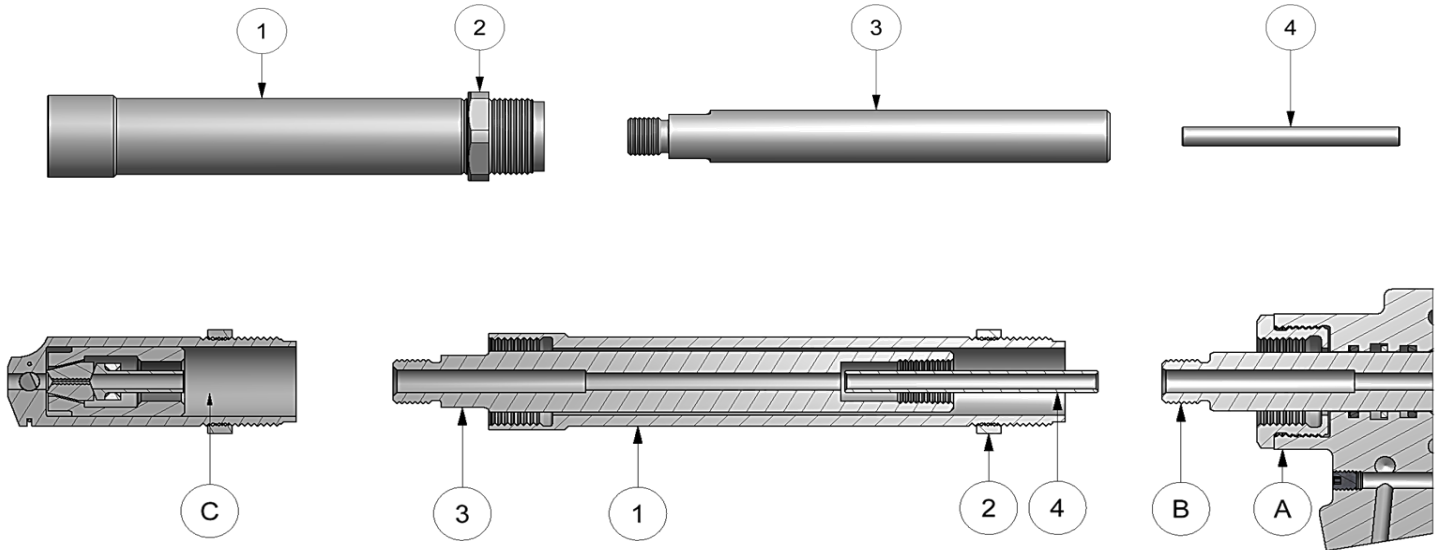


704 EXTENSION DATA SHEET



| Part Number | L |
|-------------|-----|
| *704002 | 2" |
| *704004 | 4" |
| *704006 | 6" |
| *704012 | 12" |

These extensions help reach many restricted areas by increasing the overall length of the nose assembly. They fit directly on the GB704 Installation Tool and will accept any nose assembly for Cherrymax® and High Clinch rivets.



1. Insert tube (4) into head piston (B), to replace spring (C not shown) when extending a 456MAX-701-17 Nose Assembly.
2. Screw drawbolt extension (3) onto end of head piston (B). Tighten securely using wrenches and flats provided.
3. Thread sleeve extension (1) snugly into end of head cylinder (A) until thread bottoms out.
4. Tighten nut (2) securely.
5. Install nose assembly per instructions on appropriate data sheet.

REV. 6/18

*Extensions may be assembled together to achieve various lengths.

GAGE BILT
MADE in USA

44766 Centre Court Clinton Twp. MI 48038 USA
Ph: +1 (586) 226-1500 Fax: +1 (586) 226-1505
solutions@gagebilt.com / www.gagebilt.com

Type:

Extension

Extends GB701 & GB704 style nose assemblies

| Ref. No. | Qty. | Description | *704002 | *704004 | *704006 | *704012 |
|----------|------|--------------------|---------|---------|---------|---------------|
| 1 | 1 | Extension Sleeve | 70416 | 70417 | 70418 | 70418 (2 ea.) |
| 2 | 1 | Locknut | 70104 | 70104 | 70104 | 70104 (2 ea.) |
| 3 | 1 | Drawbolt Extension | 70420 | 70421 | 70422 | 70422 (2 ea.) |
| 4 | 1 | Tube | 70415 | 70415 | 70415 | 70412 (2 ea.) |