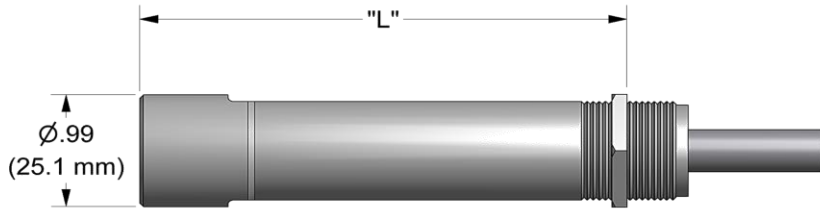
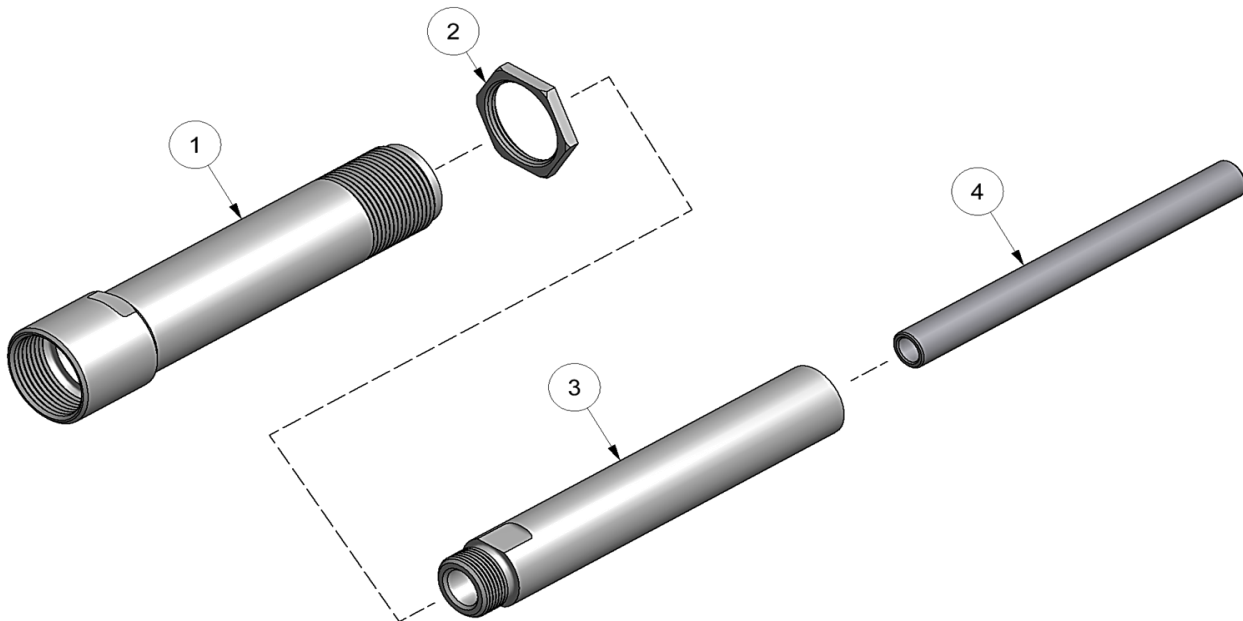


# EXTENSION DATA SHEET



Part Number	L
703002	2"
703004	4"
703006	6"

These extensions help reach many restricted areas by increasing the overall length of the nose assembly. They fit directly on the GB703, GB734 & GB743 Installation Tools and will accept GB703, GB734 and GB743 style nose assemblies



### INSTALLING ADAPTER ON INSTALLATION TOOL

1. Insert tube (4) into head piston
2. Screw drawbolt extension (3) onto end of head piston. Tighten securely using wrenches on flats provided
3. Thread sleeve extension (1) snugly into end of head cylinder. Tighten nut (2).
4. Attach nose assembly

12/99 Rev. 6/18

GAGE BILT

MADE in USA

44766 Centre Court Clinton Twp. MI 48038 USA  
 Ph: +1 (586) 226-1500 Fax: +1 (586) 226-1505  
[solutions@gagebilt.com](mailto:solutions@gagebilt.com) / [www.gagebilt.com](http://www.gagebilt.com)

Type:		Extends GB703, GB734 & GB743 style nose assemblies			
Extension					
Ref. No.	Qty.	Description	<b>703002</b>	<b>703004</b>	<b>703006</b>
1	1	Sleeve Extension	703007	703044	703009
2	1	Nut	70856	70856	70856
3	1	Drawbolt Extension	703013	703045	703015
4	1	Tube	703011	703046	703011