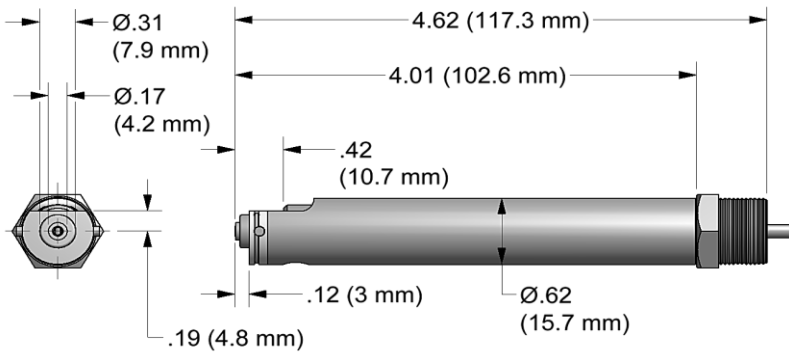


NOSE ASSEMBLY DATA SHEET



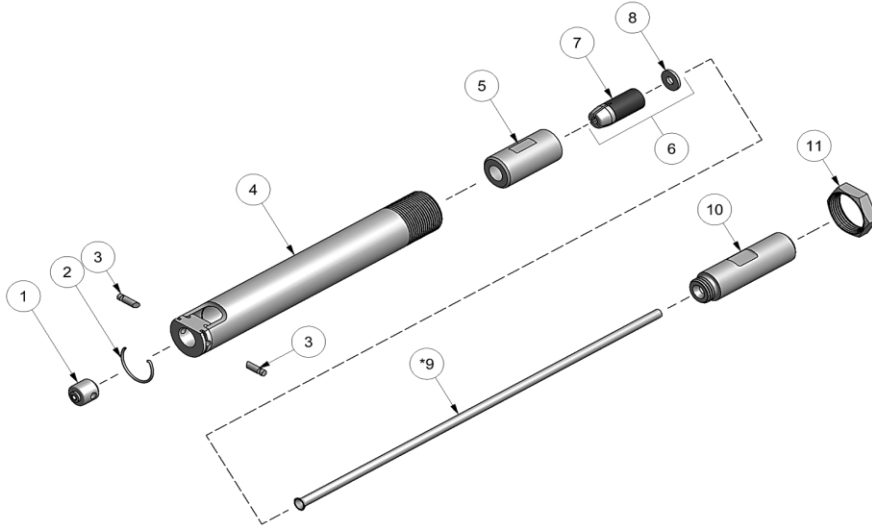
ASSEMBLY:

Note: If nose assy is assembled as it is when purchased new, follow steps 4 & 5 to attach to tool.

1. Insert pintail tube (9) (if applicable) thru i.d. of extension-collet (10). Note direction in exploded view.
2. Place super grip jaw assy (7) into rear of collet (5). note direction in exploded view. Then place spacer (8) onto rear of super grip jaw assy (7).
3. Thread assembled collet (5) to extension collet (10) using flats provided and tighten.
4. Slide pintail tube thru piston i.d. on tool and thread assembled collet (5) & extension-collet (10) to piston on tool.
5. Slide anvil & holder assy (4) over assembled collet (5) and extension-collet (10) and thread into tool. Tighten jam nut (11) to face of tool.

DISASSEMBLY:

Reverse assembly instructions.



*Used for 3/32" ø only. Pintail tube (9) must be inserted into drawbolt (10) before assembling nose.

12/13 REV 7/18

GAGE BILT
MADE in USA

44766 Centre Court Clinton Twp. MI 48038 USA
Ph: +1 (586) 226-1500 Fax: +1 (586) 226-1505
solutions@gagebilt.com / www.gagebilt.com

Type: Single Action Non Self-Releasing	Fasteners: NAS1398A/1399A NAS1738A/1739A RV1000/1100 & 1200	Recommended Tool: GB54B
3/32" & 1/8" Ø		Alternate Tool: GB55B

Ref. No.	Qty.	Description	3A-54-43	4A-54-43
1	1	Anvil Insert	10303	10304
2	1	Spring-Ratchet Pin	50302	50302
3	2	Ratchet Pin	15504	15503
4	1	Anvil & Holder Assy	13499	13499
5	1	Collet	20332	20332
6	1	Jaw Assy (Inc. 7 & 8)	30314-A4	-----
7	1	Super Grip Jaw Assy	30314-S12	30418-S
8	1	Spacer	A-1713	-----
9	1	*Pintail Tube (3/32 ø Only. Shipped with Tool)	40326 (GB54B)	-----
9	1	*Pintail Tube (3/32 ø Only. Shipped with Tool)	40327 (GB55B)	-----
10	1	Drawbolt	70342	70342
11	1	Locknut	70411	70411