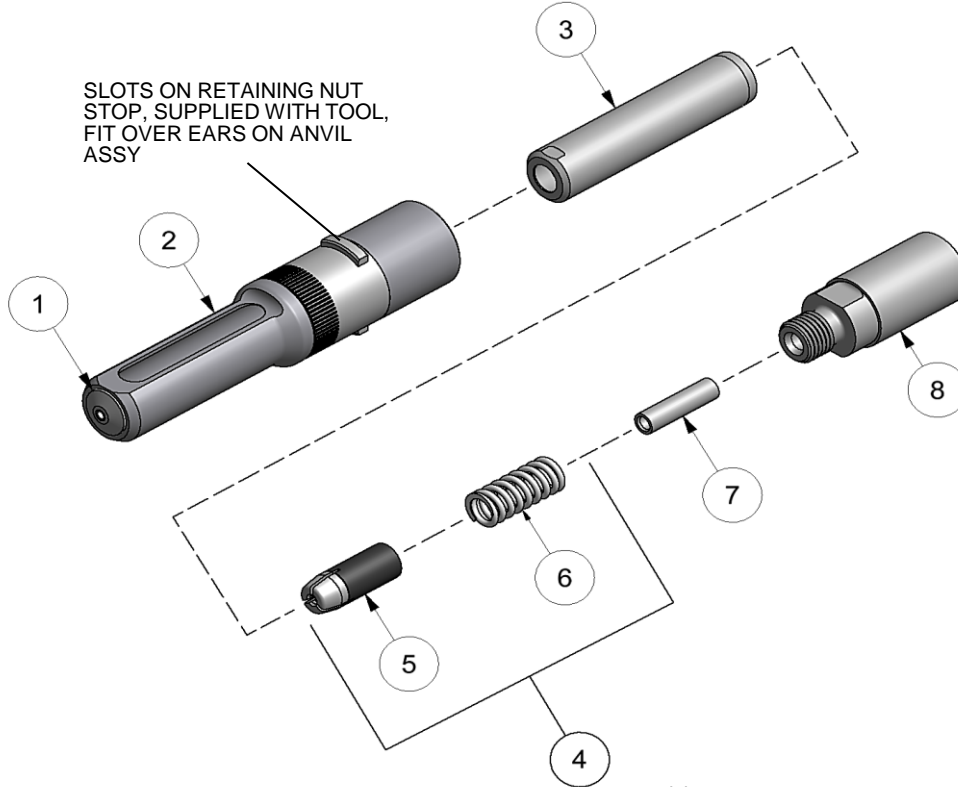
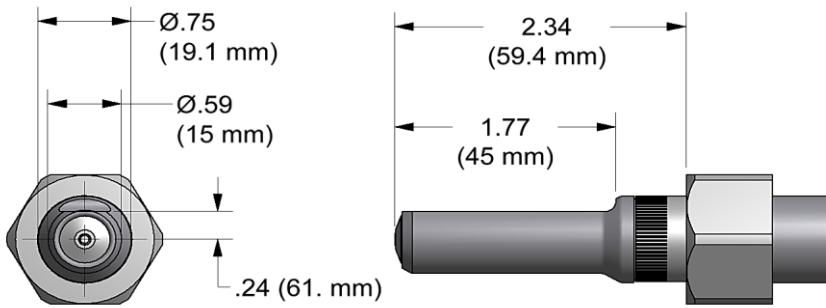


# NOSE ASSEMBLY DATA SHEET

Use Hex-Key in rear of piston  
For nose assembly attachment



\*\*Anvil Assembly includes 35208 retainer.

REV 12/15

## GAGE BILT

### GAGE BILT Inc.

44766 Centre Court (586) 226-1500  
Clinton Twp., MI 48038 (586) 226-1505 Fax  
e-mail:solutions@gagebilt.com / www.gagebilt.com

Type: Non Self-Releasing		Fastener: NAS1398A/1399A NAS1738A/1739A RV1000/1100 & 1200 *1/8 Ø AF5075 / AF5076 / S149A020	Recommended Tool: GB752
*3/32" Ø			Alternate Tools: GB751, GB722 & GB2480(A)
Ref. No.	Qty.	Description	3A-352B-25
1	1	Anvil-Driving	13001
2	1	Anvil & Holder Assy (Inc. #1)	19943
3	1	Collet	20502
4	1	Jaw Assy (inc. 5 & 6)	30314-A3
5	1	Super Grip Jaw Assy	30314-CS
6	1	Spring	50517
7	1	Spacer	60302
8	1	Adapter	70501