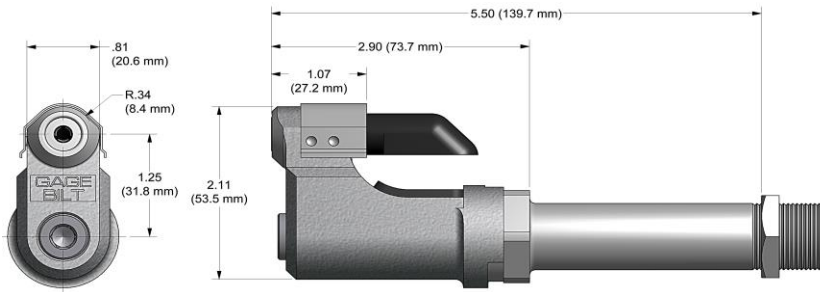
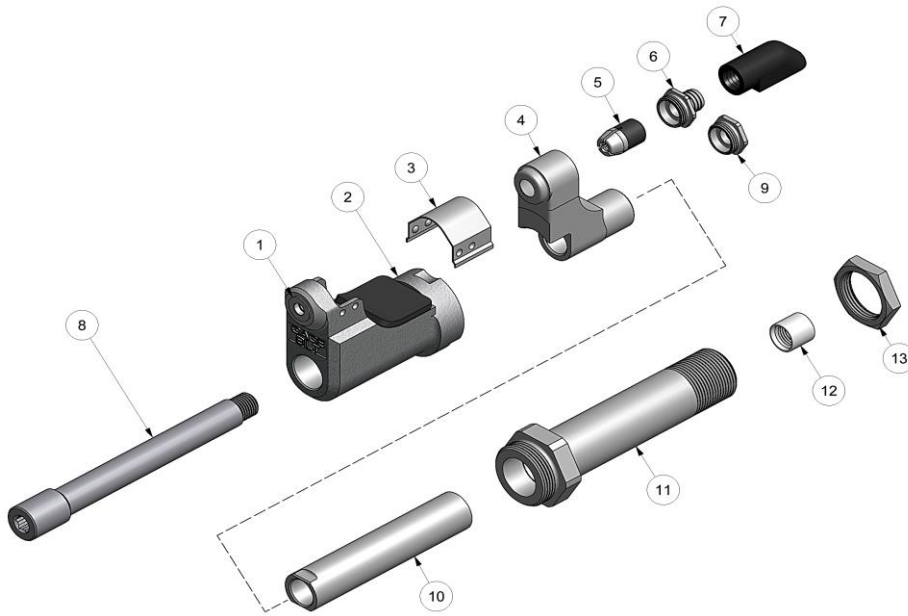


NOSE ASSEMBLY DATA SHEET



CAUTION:

Pintail may eject forcibly. USE DEFLECTOR TO PREVENT SEVERE PERSONAL INJURY. Cap (9) use for closed access applications only or when clearance is an issue!



1. Insert nut (12) into threaded end of collet adapter (10) and screw onto piston of tool.
2. Drop collet (4) into anvil assembly (2).
3. Slide drawbar (8) thru front of anvil assy. (2).
4. Screw nut (13) onto anvil adapter (11).
5. Tighten anvil assembly (2), with collet and drawbar inside, onto anvil adapter (11).
6. Slide assembly (from step 4) over collet adapter (assembled on tool) and screw into nose fitting on GB744 tool until it stops.
7. Back off nose assembly to desired position and tighten nut (13) to lock in place.
8. Using tee-wrench (14) thru rear of tool piston and a 1/4" allen wrench on front of drawbar (8),



12/07 REV. 3/15

GAGE BILT

GAGE BILT Inc.

44766 Centre Court (586) 226-1500
 Clinton Twp. MI 48038 (586) 226-1505 Fax
 e-mail:solutions@gagebilt.com / www.gagebilt.com

| Type: | | Fastener: | Recommended Tool: GB744 |
|------------------------------|------|--|----------------------------|
| Non Self-Releasing 1/4" Ø | | NAS9301-NAS9312 M7885 BACR15FP/FR BACR15GF/GK & NAS1900U SERIES | |
| Ref. No. | Qty. | Description | 08MAX-744A-500S |
| 1 | 1 | Anvil Insert | 18009 |
| 2 | 1 | Anvil Assy (Inc. #1) | 10989 |
| 3 | 1 | Guard | 60426 |
| 4 | 1 | Collet | 20722 |
| 5 | 1 | Super-Grip Jaw Assy | 30864-S13 |
| 6 | 1 | Barbed Retainer | 70569 |
| 7 | 1 | Deflector | 61107 |
| 8 | 1 | Drawbar | 71116 |
| 9 | 1 | Cap | 70571 |
| 10 | 1 | Collet Adapter | 744208 |
| 11 | 1 | Anvil Adapter | 744207 |
| 12 | 1 | Nut | 352211 |
| 13 | 1 | Nut | 70821 |
| 14 | 1 | Tee-Wrench (not shown) | A-291 |