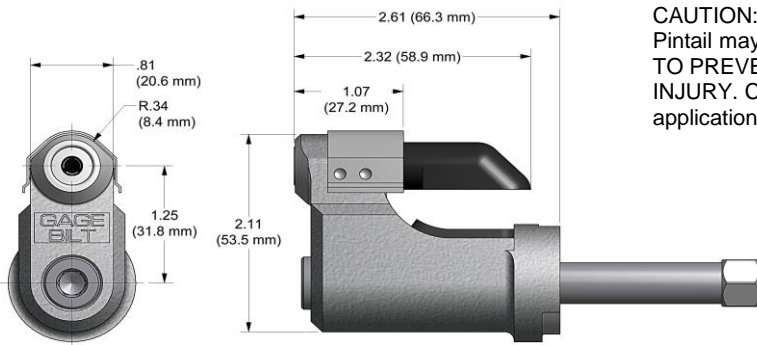
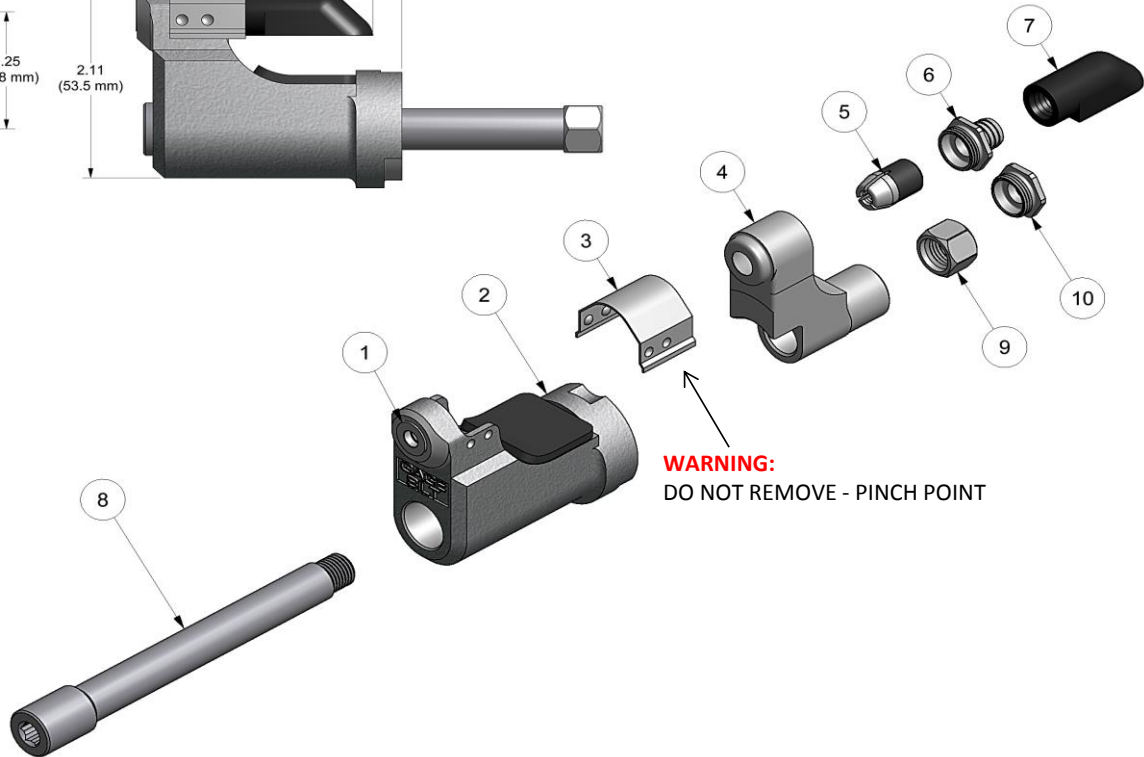


NOSE ASSEMBLY DATA SHEET



CAUTION:
Pintail may eject forcibly. USE DEFLECTOR TO PREVENT SEVERE PERSONAL INJURY. Cap (10) use for closed access applications only or when clearance is an



WARNING:
DO NOT REMOVE - PINCH POINT

ASSEMBLY INSTRUCTIONS:

Disconnect tool from power source. On front of GB204 Installation tool, remove screw and stop. With collet placed in anvil install on tool. Apply Vibra-TITE® part no. 405124 to threads on drawbar. Slide drawbar thru anvil and collet. Screw nut "counterbore in" on rear of drawbar. Connect tool to power source. Cycle the tool to rear position. While holding the trigger down, disconnect tool from power source. Using a 1/4" hex wrench and a 1/2" socket wrench, tighten nut on the drawbar. Replace screw and stop on tool.

2/14 REV 3/15

Covered Under Patent No. 5,371,933



*Use Adapter No. 751204.

**Use Adapter No. 353204.

GAGE BILT
MADE IN U.S.A.

GAGE BILT Inc.

44766 Centre Court (586) 226-1500
Clinton Twp. MI 48038 (586) 226-1505 Fax
e-mail:solutions@gagebilt.com / www.gagebilt.com

Type:		Fastener:	Recommended Tool
Non Self-Releasing 1/4" Ø		CHERRYMAX® BACR15FR & FP M7885 / NAS9300	GB204 & GB204A
			Alternate Tools: *GB752, **GB745 & *GB722
Ref. No.	Qty.	Description	08MAX-204D-27OS
1	1	Anvil-Driving	18009
2	1	Anvil & Holder Assy (Inc. #1)	10989
3	1	Guard	60426
4	1	Collet	20722
5	1	Super-Grip Jaw Assy	30864-S13
6	1	Barbed Retainer	70569
7	1	Deflector	61107
8	1	Draw Bar	71116
9	1	Nut	71114
10	1	Cap	70571

VIBRA-TITE® IS A REGISTERED TRADEMARK OF OAKLAND CORPORATION. CHERRYMAX® IS A REGISTERED TRADEMARK OF CHERRY AEROSPACE FASTENERS.