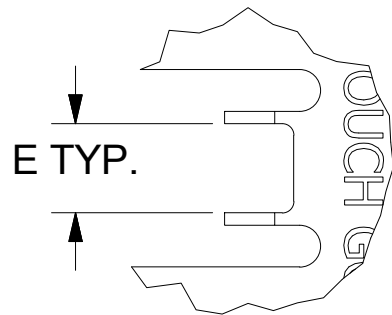
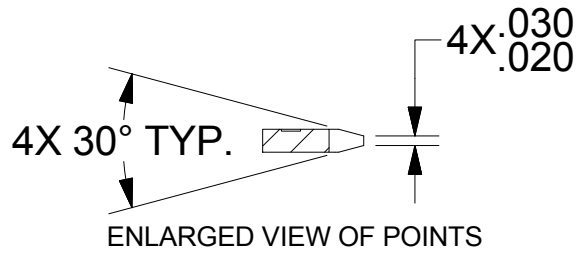
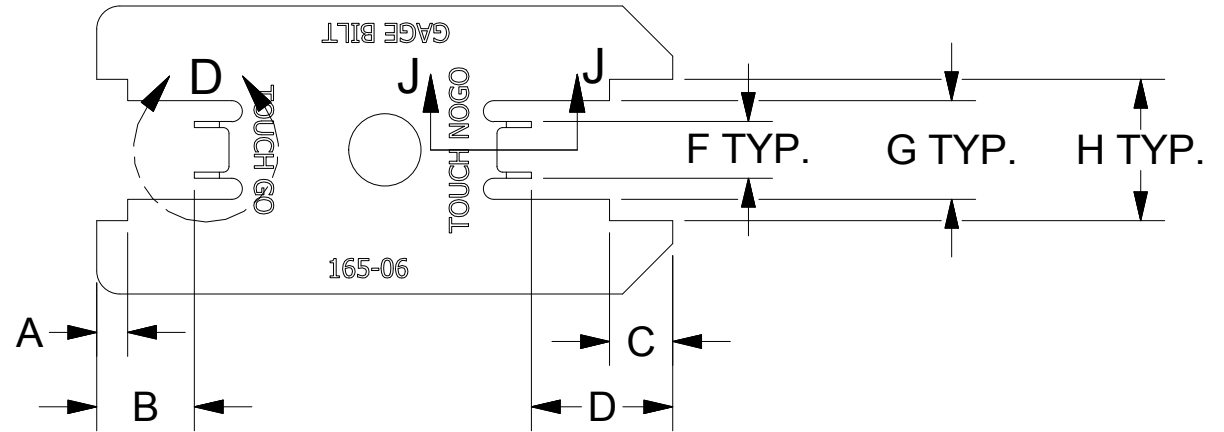


PIN POSITION AND SWAGE GAGE



DETAIL D
SCALE 4 : 1



GAGE NUMBER	REV	NOM. SIZE	A +.002 -.000	B +.002 -.000	C +.002 -.000	D +.002 -.000	E ±.001	F ±.001	G ±.001	H +.005 -.000
165-06	C	3/16	.080	.254	.165	.368	.116	.148	.257	.368

DO NOT SCALE DRAWING

GAGE BILT
GAGE BILT, Inc.

SWAGE GAGE

DRAWN BY TMD	CK'D BY KA	DATE 4/21/2015	SCALE	MATERIAL
HEAT TREAT			165- (06 CHART)	