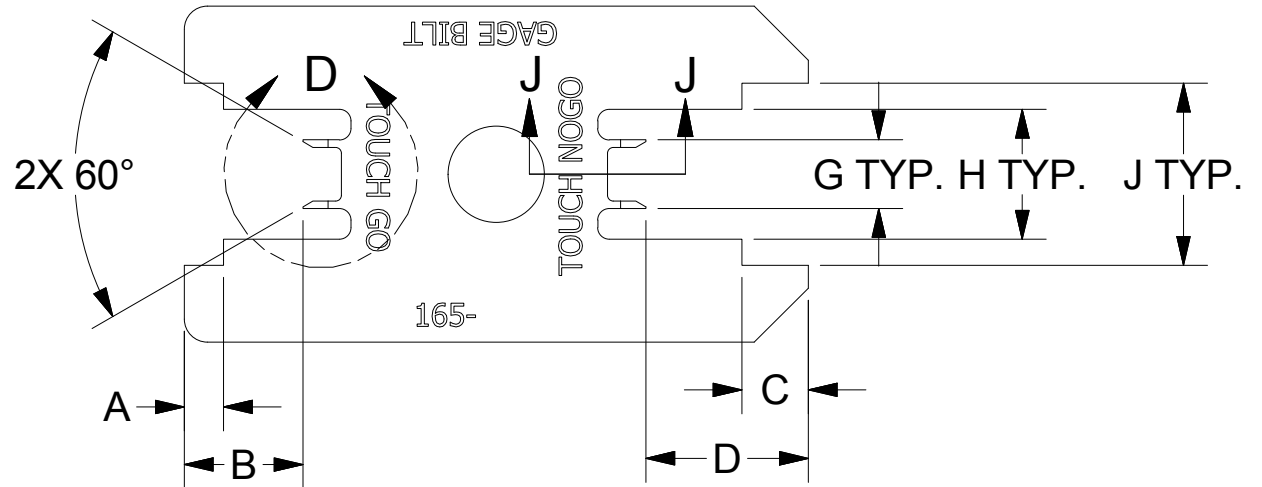
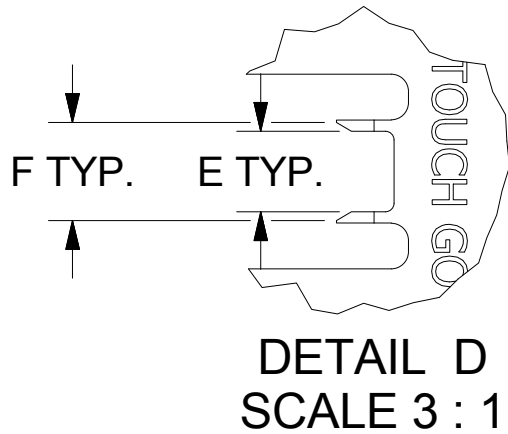


**PIN POSITION AND SWAGE GAGE**



GAGE NUMBER	REV	NOM. SIZE	A +.002 -.000	B +.002 -.000	C +.002 -.000	D +.002 -.000	E ±.002	F ±.001	G ±.001	H ±.001	J +.005 -.000
165-08	C	1/4	.102	.309	.173	.423	.140	.170	.179	.338	.474
165-10	C	5/16	.121	.364	.162	.478	.188	.218	.227	.425	.574
165-12	C	3/8	.166	.421	.215	.535	.250	.280	.289	.500	.674
165-14	C	7/16	.183	.490	.227	.604	.300	.330	.339	.591	.787

DO NOT SCALE DRAWING

**GAGE BILT**  
GAGE BILT, Inc.

**SWAGE GAGE**

DRAWN BY TMD	CK'D BY KA	DATE 4/22/2015	SCALE	MATERIAL
HEAT TREAT			165 (08-14 CHART)	