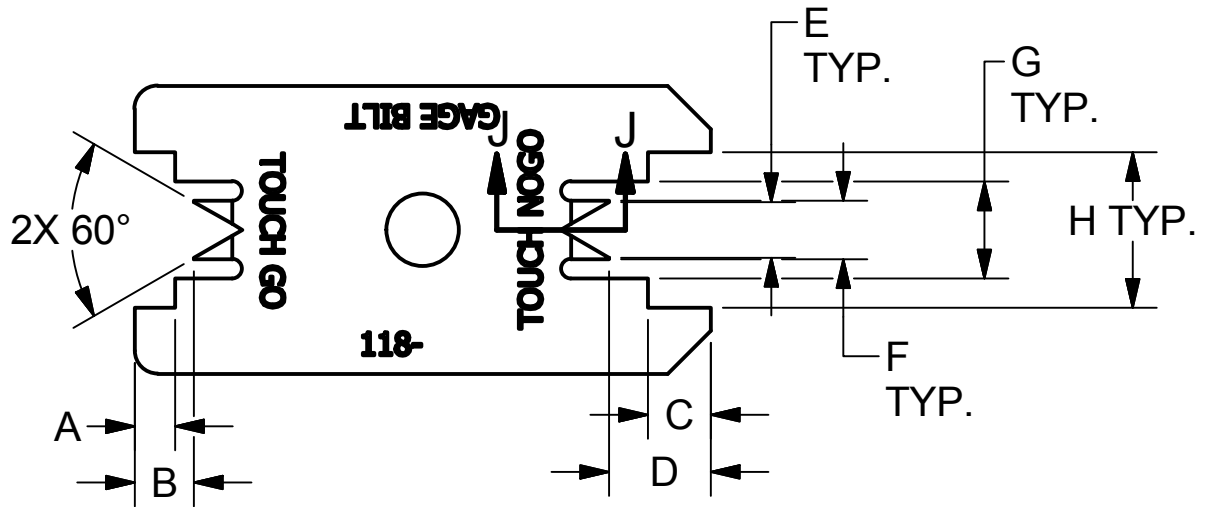
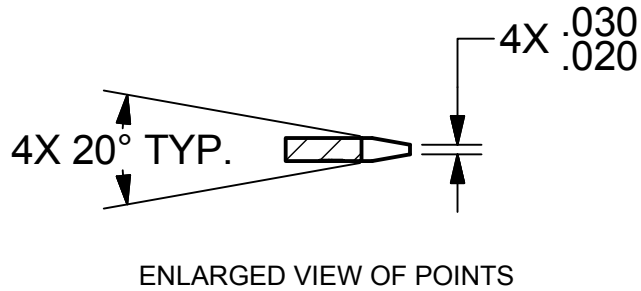


PIN POSITION AND SWAGE GAGE

118 (14-16 CHART)



GAGE NUMBER	REV	NOM. SIZE	A +.002 -.000	B +.002 -.000	C +.002 -.000	D +.002 -.000	E ±.005	F	G ±.001	H
118-14	B	7/16	.180	.428	.207	.539	.297	.312 ±.002	.593	.840 ±.005
118-16	A	1/2	.267	.493	.289	.598	.349	.375 ±.001	.679	.925 ±.010

DO NOT SCALE DRAWING

GAGE BILT
GAGE BILT, Inc.

PROFILE GAGE

DRAWN BY TMD	CK'D BY TP	DATE 1/2/2014	SCALE	MATERIAL
HEAT TREAT				118 (14-16 CHART)