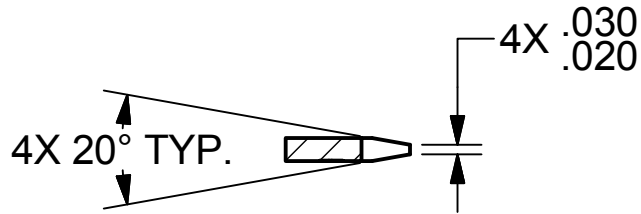
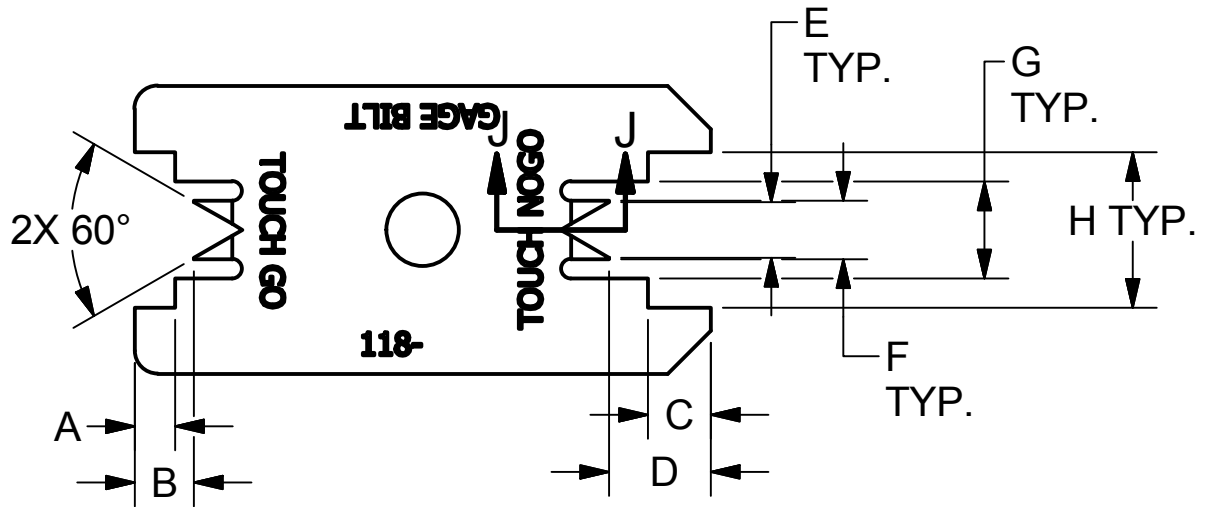


**PIN POSITION AND SWAGE GAGE**

118 (05-12 CHART)



ENLARGED VIEW OF POINTS



GAGE NUMBER	REV	NOM. SIZE	A +.002 -.000	B +.002 -.000	C +.002 -.000	D +.002 -.000	E ±.001	F ±.001	G ±.001	H +.005 -.000
118-05	C	5/32	.088	.153	.140	.264	.117	.124	.234	.365
118-06	C	3/16	.105	.154	.164	.265	.146	.152	.253	.405 <sup>±.005</sup>
118-08	B	1/4	.114	.222	.153	.333	.200	.209	.344	.500 <sup>±.005</sup>
118-10	B	5/16	.080	.290	.160	.400	.250	.259	.436	.625
118-12	B	3/8	.149	.359	.188	.476	.318	.322	.512	.725

DO NOT SCALE DRAWING

**GAGE BILT**  
GAGE BILT, Inc.

**PROFILE GAGE**

DRAWN BY TMD	CK'D BY TP	DATE 1/2/2014	SCALE	MATERIAL
HEAT TREAT				118 (05-12 CHART)