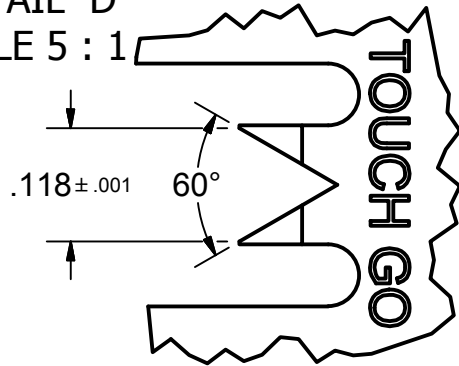
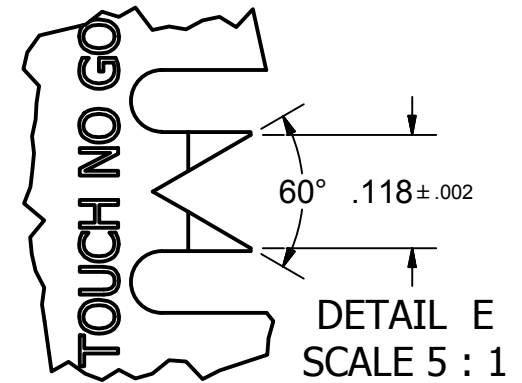
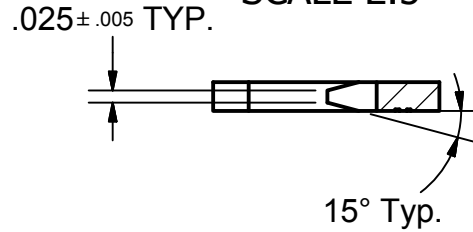


GAGE DATA SHEET

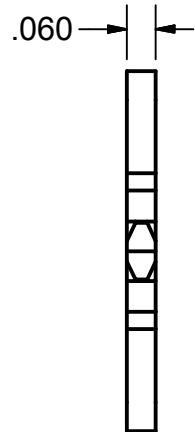
DETAIL D
SCALE 5 : 1



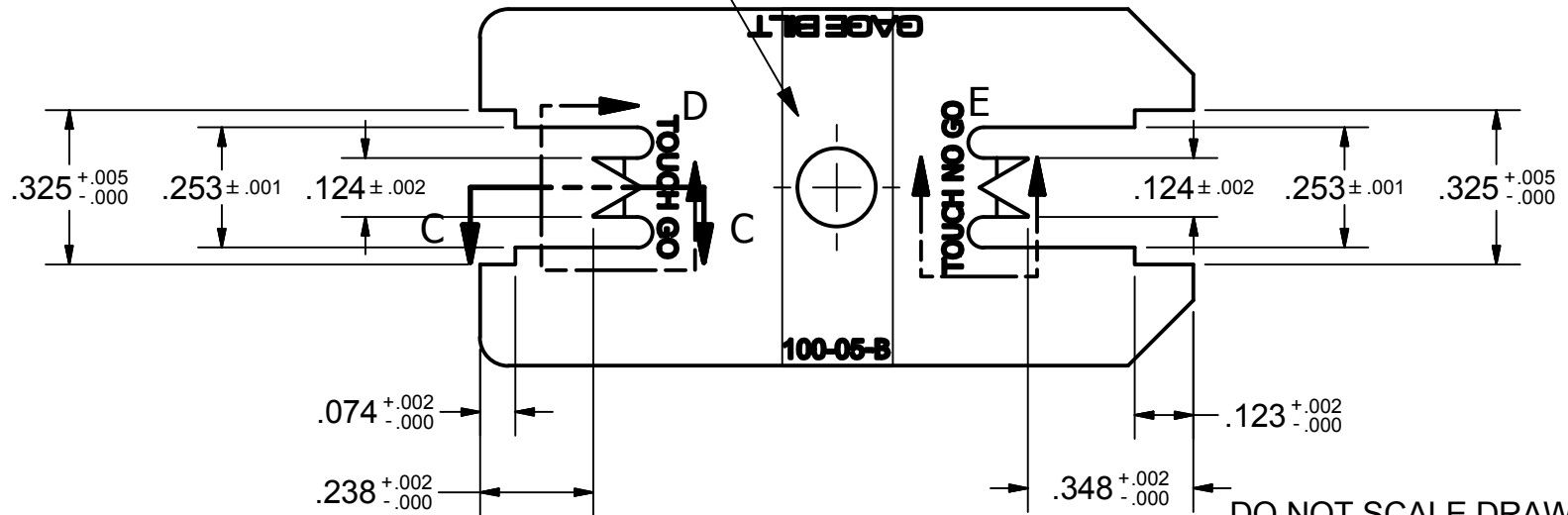
SECTION C-C
SCALE 2.5



DETAIL E
SCALE 5 : 1



FILL WITH ORANGE
PAINT OPPOSITE SIDE



DO NOT SCALE DRAWING

GAGE BILT
GAGE BILT, Inc.

44766 Centre Court - Clinton Township, MI 48038 - (586) 226-1500
solutions@gagebilt.com - www.gagebilt.com

100-05 - Swage Gage

GPL8T-V05 Pins with 2TC or 2TCC-C05 Collars