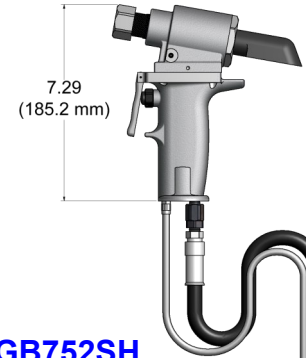
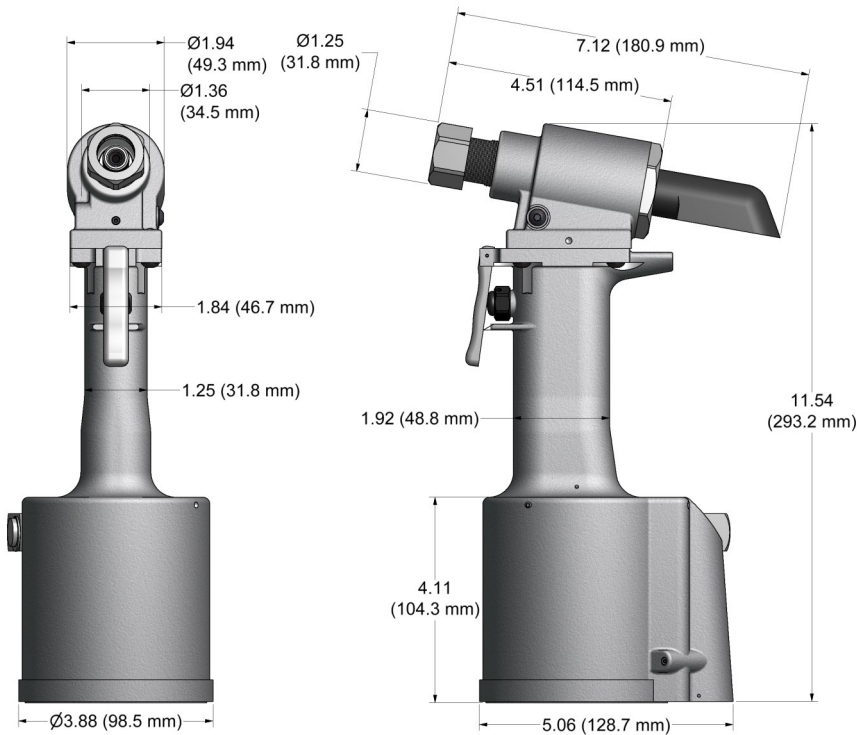


GB752

INSTALLATION TOOL SERIES

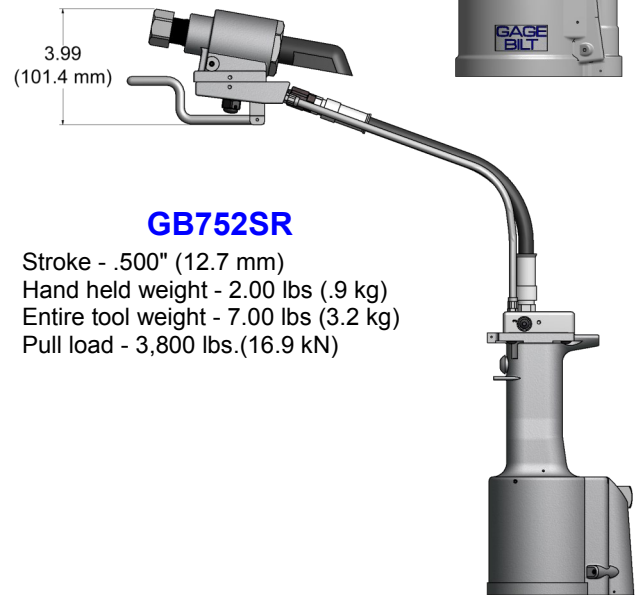
GB752

Stroke - .500" (12.7 mm)
 Hand held weight - 4.75 lbs (2.2 kg)
 Entire tool weight - 4.75 lbs (2.2 kg)
 Pull load - 3,800 lbs.(16.9 kN)



GB752SH

Stroke - .500" (12.7 mm)
 Hand held weight - 2.50 lbs (1.1 kg)
 Entire tool weight - 7.50 lbs (3.4 kg)
 Pull load - 3,800 lbs.(16.9 kN)



GB752SR

Stroke - .500" (12.7 mm)
 Hand held weight - 2.00 lbs (.9 kg)
 Entire tool weight - 7.00 lbs (3.2 kg)
 Pull load - 3,800 lbs.(16.9 kN)

DESCRIPTION

The GB752 series are pneumatic-hydraulic tools designed specifically for the efficient installation of blind rivets. They can be operated in any position. They have a rated pull load of 3,800 lbs. (16.9 kN) with 90 psi (6.2 bar) air pressure at the air inlet.

The GB752SH and GB752SR riveters offer a unique "split" system providing the operator with an ergonomic tool with reduced hand held weight, as shown below.

The GB752 series riveters operate on 90 to 100 psi (6.2-6.9 bar) of air pressure, with 90 psi. (6.2 bar) providing the maximum efficiency. At 90 psi (6.2 bar) of air pressure, the GB752 series does not exceed 81.5 dB(A) and consumes .16 SCF/cycle (4.53 L/cycle) for the GB752 & GB752SR. The GB752SH consumes .30 SCF/cycle (8.50 L/cycle).

The air inlet is provided with 1/4-18 female pipe thread to accept the users air hose fitting.

NOSE ASSEMBLIES ARE NOT FURNISHED WITH THIS RIVETER AND MUST BE ORDERED SEPARATELY.

GAGE BILT
 **MADE in USA**

44766 Centre Court Clinton Twp. MI 48038 USA
 Ph: +1 (586) 226-1500 Fax: +1 (586) 226-1505
solutions@gagebilt.com / www.gagebilt.com



GB752-NOSE ASSEMBLY SELECTION CHART & ACCESSORIES



ACCESSORIES

AIR BLEEDER ASSY
#704153
(Sold Separately)

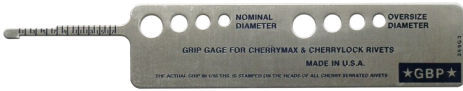


CATCHER BAG
#704214
(Sold Separately)



Grip Gage #269G3

For CHERRYMAX® and CHERRYLOCK® rivets
(Sold Separately)



Grip Gage #GB105093

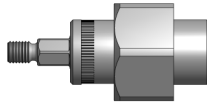
For NAS LOCKBOLTS and blind fasteners
(Sold Separately)



Adapter Assy

#730715

Adapts GB715 Series Nose Assemblies to:
Gage Bilt GB752, GB730, GB713,
GB731 & GB722
(Sold Separately)



Adapter Assy

#751204

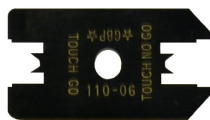
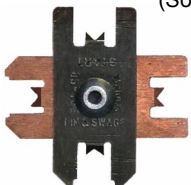
Adapts 204 offset series nose
assemblies to GB752 installation tool.
(Sold Separately)



Other adapters available. Contact
Gage Bilt for more information.

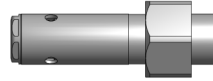
Gage Bilt also supplies pin & collar
swage inspection gages to certify swage
installation.

(Sold Separately)



NOSE ASSEMBLIES

STRAIGHT
(Sold Separately)



RIGHT ANGLE
(Sold Separately)



OFFSET
(Sold Separately)



FASTENER	DIA.	STRAIGHT	*RIGHT ANGLE	**OFFSET	
COMMERCIAL LOCKBOLTS	3/16 1/4	LB06-722-20 LB08-722-20	LB06-722-60 LB08-722-60		
MULTI-GRIP LOCKBOLTS	3/16 1/4	MG06-722-20 MG08-722-20	MG06-722-60 MG08-722-60		
BLIND BOLT (SINGLE ACTION) WITH OR W/O DRIVE WASHER	1/8 5/32	SB04-752C-20 SB05-752C-20 SB05-752C-80	SB04-752C-45 SB05-752C-45	SB04-751C-54RA SB05-751C-54RA	
MS90353S & U / MS90354S & U MS21140S & U / MS21141S & U MAXIBOLT®, BACB30YY, YU, & YT	3/16	SB06-752B-20 SB06-752B-80	SB06-752B-45	SB06-751B-54RA SB06-204D-27OS	
BLIND BOLT (SINGLE ACTION) WITH DRIVE WASHER	1/8 5/32	UBB04-752C-20 UBB05-752C-20 UBB05-752C-80	UBB04-752C-45 UBB05-752C-45	UBB04-751C-54RA UBB05-751C-54RA	
MS90353S & U / MS90354S & U MS21140S & U / MS21141S & U MAXIBOLT®, BACB30YY, YU, & YT	3/16	UBB06-752B-20 UBB06-752B-80	UBB06-752B-45	UBB06-751B-54RA UBB06-204D-27OS	
EN6122 & UAB130-EJ EN6127 & UAB6127-EJ EN6128 & UAB100-EJ EN6129 & UABP-EJ MAXIBOLT® PLUS	5/32 3/16	UAB05-752C-20 UAB06-752B-20	UAB05-752C-45 UAB06-752B-45	UAB05-751C-54RA UAB06-751B-54RA	
UNIMATIC® BLIND RIVET (SINGLE ACTION) WITH OR W/O DRIVE WASHER	1/8 5/32 3/16	SMLS04-752C-20 SMLS05-752C-20 SMLS06-752B-20	SMLS04-752C-45 SMLS05-752C-45 SMLS06-752B-45	SMLS04-751C-54RA SMLS05-751C-54RA SMLS06-751C-54RA	
NAS1900 S & U SERIES	1/4	SMLS08-713-20	SMLS08-713-45	SMLS08-751B-54RA SMLS08-204D-27OS	
UNIMATIC® BLIND RIVET (SINGLE ACTION) WITH DRIVE WASHER	1/8 5/32 3/16	456UBR-751A-21 456UBR-751A-61	456UBR-751D-54RA	456MAX-731-43OS	
NAS1900 S & U SERIES	1/4	UBR08-713-20 UBR08-713-45	UBR08-751B-54RA	UBR08-204D-27OS UBR08-204D-37OS	
"A" CODE NAS1398A & NAS1399A	3/32 1/8 5/32 3/16 1/4	3A-352B-25 4A-752C-20 5A-752C-20 6A-752B-20 SML508-713-20	4A-752C-45 5A-752C-45 6A-752B-45	3A-751C-54RA 4A-751C-54RA 5A-751C-54RA 6A-751C-54RA	4A-752B-43OS 5A-752B-43OS 6A-752B-43OS SMLS08-204D-27OS
NUT FLATE RIVETS CR244/264/274 BACR15DR MS20600	3/32 1/8	3NP-751-23 5N-751-23	3NP-352-61 5N-352-61	3NP-751B-54RA 45N-751B-54RA	3NP-751-43OS 5N-751-43OS
CHERRYMAX®, CHERRYMAX® "AB", BACR15FRFF, BACR15GF/GK	1/8 5/32 3/16	456MAX-751-23 08MAX-752B-20	456MAX-751A-61 08MAX-752B-45	456MAX-751D-54RA	456MAX-731-43OS **08MAX-204D-27OS **08MAX-204D-37OS
ASP® ASP 2, ASP PF, ASP 4 FF, ASP 2 F, ASP 2 LC	13/64 17/64	ASP06-752B-20 ASP08-752B-20	ASP06-752B-45 ASP08-752B-45	ASP06-751B-54RA	ASP06-752B-43OS ASP08-752B-43OS
STANDARD MBO® NAS1719, NAS1720 NAS1721	1/8 5/32 3/16	MBC04-752C-20 MBC05-752C-20 MBC06-752B-20	MBC04-752C-45 MBC05-752C-45 MBC06-752B-45	MBC04-751C-54RA MBC05-751C-54RA MBC06-751C-54RA	MBC04-752C-43OS MBC05-752C-43OS MBC06-752C-43OS
MBO® LOCK CREATOR NAS1719X(L), NAS1720X(L) NAS1721X(L)	1/8 5/32 3/16	456MAX-751-23 456MAX-751A-61	456MAX-751A-61	456MAX-751D-54RA	456MAX-731-43OS
GROUND STUD, M83454 & BACS53B	8/32 10/32	GS8-752B-20 GS10-752B-20	GS8-752B-45 GS10-752B-45	GS8-751C-54RA GS10-752A-54RA	GS8-752B-43OS GS10-752B-43OS
POP® OPEN END NAIL RIVET	3/32 1/8 5/32 3/16	3N-751-23 4N-751-23 5N-751-23 6N-751-23	3N-352-61 4N-352-61 5N-352-61 6N-352-61	3N-751B-54RA 4N-751B-54RA 45N-751B-54RA 6N-751C-54RA	3N-751A-43OS 4N-751A-43OS 5N-751A-43OS 6N-751A-43OS
POP® CLOSED END NAIL RIVET (ALUMINUM MANDREL)	3/32 1/8 5/32 3/16	3N-751-23 4CEA-751-23 5CEA-751-23 6CEA-751-23	3N-352-61 4CEA-352-61 5CEA-352-61 6CEA-352-61	3N-751B-54RA 45CEA-751B-54RA 45CEA-751B-54RA 6CEA-751C-54RA	3N-751A-43OS 4CEA-751-43OS 5CEA-751-43OS 6CEA-751-43OS
POP® CLOSED END NAIL RIVET (STEEL MANDREL)	3/32 1/8 5/32 3/16	3N-751-23 4CES-751-23 5CES-751-23 6CES-751-23	3N-352-61 4CES-352-61 5CES-352-61 6CES-352-61	3N-751B-54RA 4CES-751B-54RA 5CES-751B-54RA 6CES-751C-54RA	3N-751A-43OS 4CES-751-43OS 5CES-751-43OS 6CES-751-43OS

CHERRYMAX®, T RIVETS®, MAXIBOLT® AND MBO® ARE REGISTERED TRADEMARKS OF CHERRY AEROSPACE FASTENERS. AVEX®, KLAMP-TITE®, TLR®, HEMLOCK® AND MONOBOLT® ARE REGISTERED TRADEMARKS OF AVDEL UK LIMITED. ASP®, MAGNA-LOCK®, UNIMATIC® AND MAGNA-BULB® ARE REGISTERED TRADEMARKS OF ARCONIC INC. BULB-TITE® IS A REGISTERED TRADEMARK OF GESIPA FASTENERS USA, INC. ULTRA-GRIP® AND POP® ARE REGISTERED TRADEMARKS OF EMHART TECHNOLOGIES.

GAGE BILT CERTIFIES THE GB752 WILL INSTALL THE ABOVE FASTENERS

*ALL RIGHT ANGLE NOSES REQUIRE 752142 STROKE LIMITER.
 **ALL OFFSET 204 SERIES NOSES REQUIRE 751204 ADAPTER.
 1) RIGHT ANGLE NOSE ASSEMBLY'S MAY REQUIRE MORE THAN ONE PULL.
 2) INSTALLS 1/8, 5/32 & 3/16 DIAMETERS
 3) INSTALLS 5/32 & 3/16 DIAMETERS
 4) BACS53B -10 ONLY
 5) TWO PULLS MAY BE REQUIRED FOR 1/4" DIAMETER MULTI-GRIP LOCKBOLTS
 6) THESE NOSES FOR LIGHT DUTY / REPAIR ONLY. CONSULT GAGE BILT FOR HIGH PRODUCTION APPLICATIONS.

NOTE: THE LAST 2 DIGITS OF THE NOSE ASSEMBLY REPRESENTS THE LENGTH THE NOSE EXTENDS FROM THE TOOL. I.E. -20 = 2.0 INCHES
 GB752SR MODELS MUST USE .45 LENGTH OR LONGER ON ALL 752 STYLE NOSES