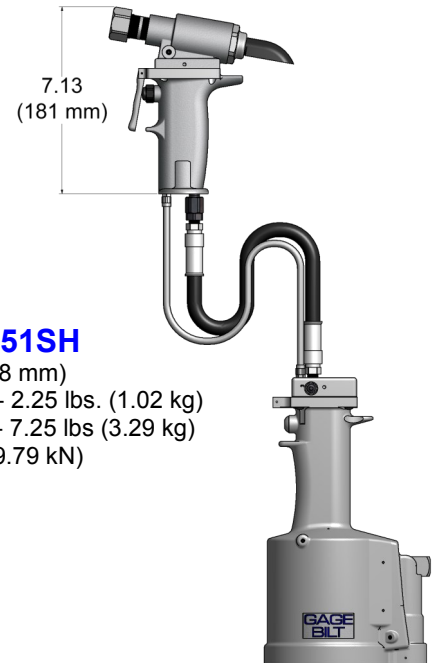
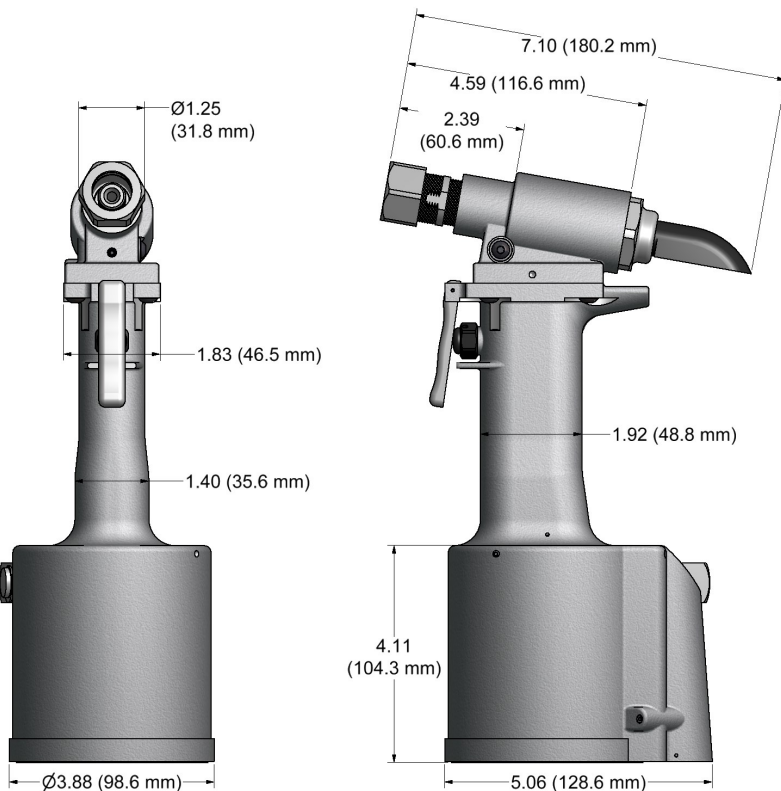


# GB751

## INSTALLATION TOOL SERIES

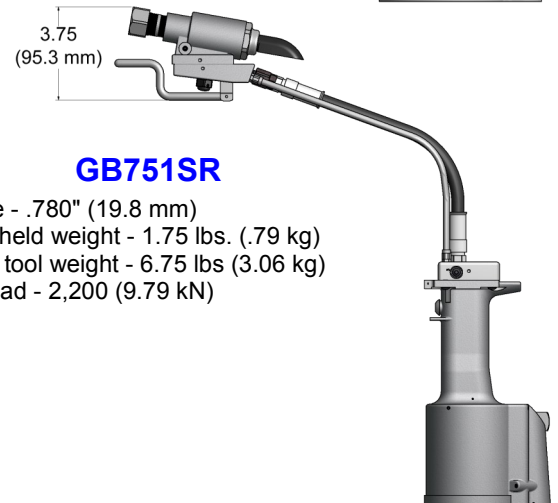
### GB751

Stroke - .780" (19.8 mm)  
 Hand held weight - 4.50 lbs. (2.04 kg)  
 Entire tool weight - 4.50 lbs (2.04 kg)  
 Pull load - 2,200 (9.79 kN)



### GB751SH

Stroke - .780" (19.8 mm)  
 Hand held weight - 2.25 lbs. (1.02 kg)  
 Entire tool weight - 7.25 lbs (3.29 kg)  
 Pull load - 2,200 (9.79 kN)



### GB751SR

Stroke - .780" (19.8 mm)  
 Hand held weight - 1.75 lbs. (.79 kg)  
 Entire tool weight - 6.75 lbs (3.06 kg)  
 Pull load - 2,200 (9.79 kN)

## DESCRIPTION

The GB751 series are pneumatic-hydraulic tools designed specifically for the efficient installation of blind rivets. They can be operated in any position. They have a rated pull load of 2200 lbs (9.79 kN) with 90 psi (6.2 bar) air pressure at the air inlet.

The GB751SH and GB751SR riveters offer a unique "split" system providing the operator with an ergonomic tool with reduced hand held weight, as shown below.

The GB751 series riveters operate on 90 to 100 psi. (6.2-6.9 bar) of air pressure, with 90 psi. (6.2 bar) providing the maximum efficiency. At 90 psi. (6.2 bar) of air pressure, the GB751 series does not exceed 81.5 dB(A) and consumes .16 SCF/cycle (4.53 L/cycle) for the GB751 & GB751SR. The GB751SH consumes .30 SCF/cycle (8.50 L/cycle).

The air inlet is provided with 1/4-18 female pipe thread to accept the users air hose fitting.

**NOSE ASSEMBLIES ARE NOT FURNISHED WITH THIS RIVETER AND MUST BE ORDERED SEPARATELY.**

**GAGE BILT**  
 **MADE in USA**

44766 Centre Court Clinton Twp. MI 48038 USA  
 Ph: +1 (586) 226-1500 Fax: +1 (586) 226-1505  
[solutions@gagebilt.com](mailto:solutions@gagebilt.com) / [www.gagebilt.com](http://www.gagebilt.com)



# GB751-NOSE ASSEMBLY SELECTION CHART & ACCESSORIES



## ACCESSORIES

**Air Bleeder Assy**  
**#704153**  
 (Equivalent to #700A77)  
 (Sold Separately)



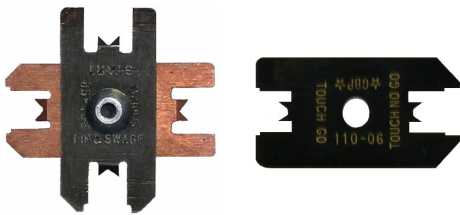
**Catcher Bag-Stem**  
**#704214**  
 (Equivalent to #670A20)  
 (Sold Separately)



**Grip Gage #269G3**  
 (Similar to #269C3)  
 For CHERRYMAX® and  
 CHERRYLOCK® rivets  
 (Sold Separately)



Gage Bilt also supplies pin & collar  
 swage inspection gages to certify  
 swage installation.  
 (Sold Separately)



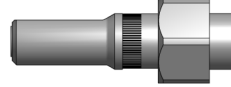
**Riveter Kits**  
 Gage Bilt offers a wide selection of  
 standard and custom kits  
 tailored to your needs  
 Contact us for more information.  
 (Sold Separately)



## NOSE ASSEMBLIES

**Adapter Assy**  
**#751204**  
 Adapts 204 offset series  
 nose assemblies to  
 GB751 installation tool.  
 (Sold Separately)

**STRAIGHT**  
 (Sold Separately)



**RIGHT ANGLE**  
 (Sold Separately)



**OFFSET**  
 (Sold Separately)



FASTENER	DIA.	STRAIGHT	RIGHT ANGLE	OFFSET
BLIND BOLT (SINGLE ACTION) WITH OR W/O DRIVE WASHER MS90353S & U / MS90354S & U MS21140S & U / MS21141S & U MAXIBOLT®, BACB30YY, YU, & YT HS5192	1/8 5/32	SB04-752C-20 SB04-752C-80	SB04-752C-45	SB04-751B-54RA SB04-752B-43OS
BLIND BOLT (SINGLE ACTION) WITH DRIVE WASHER MS90353S & U / MS90354S & U MS21140S & U / MS21141S & U MAXIBOLT®, BACB30YY, YU, & YT HS5192	1/8 5/32	UBB04-752C-20 UBB04-752C-80	UBB04-752C-45	UBB04-751C-54RA UBB04-752B-43OS
EN6122 & UAB130-EU EN6127 & UAB6127-EU EN6128 & UAB100-EU EN6129 & UABP-EU MAXIBOLT® PLUS	5/32 3/16 1/4	UAB568-713-21 <sub>4</sub>	UAB568-713-61 <sub>4</sub>	
UNIMATIC® BLIND RIVET (SINGLE ACTION) WITH OR W/O DRIVE WASHER NAS1900 S & U SERIES	1/8 5/32 3/16 1/4	SMLS04-752C-20 SMLS05-752C-20 SMLS06-752B-20 SMLS08-713-20	SMLS04-752C-45 SMLS05-752C-45 SMLS06-752B-45 SMLS08-713-45	SMLS04-751B-54RA SMLS05-751C-54RA SMLS06-751C-54RA SMLS08-751B-58RA <sub>6</sub>
UNIMATIC® BLIND RIVET (SINGLE ACTION) WITH DRIVE WASHER NAS1900 S & U SERIES	1/8 5/32 3/16 1/4	456UBR-751A-21 <sub>2</sub> UBR08-713-20	456UBR-751A-61 <sub>2</sub> UBR08-713-45	456UBR-751D-54RA <sub>2</sub> SMLS08-751B-58RA <sub>6</sub>
"A" CODE NAS1398A & NAS1399A	3/32 1/8 5/32 3/16	3A-352B-25 4A-752C-20 5A-752C-20 6A-752B-20	4A-752C-45 5A-752C-45 6A-752B-45	3A-751C-54RA 4A-751C-54RA 5A-751C-54RA 6A-751C-54RA
NUT PLATE RIVETS CCR244/264/274 BACR15DR MS20600 HS5162	3/32 1/8	3NP-751-23 5N-751-23	3NP-352-61 5N-352-61	3NP-751B-54RA 45N-751B-54RA
CHERRY MAX® CHERRY MAX® 'A B' BACR15FR/FP, BACR15GF/GK HS5902, HS6047, HS6048, M7885	1/8 5/32 3/16	456MAX-751-23 <sub>2</sub> 06MAX-751-23VT <sub>2</sub> (VT-Vacuum Tube only)	456MAX-751A-61 <sub>2</sub>	456MAX-751D-54RA <sub>2</sub> 456MAX-731-43OS <sub>2</sub>
ASP® ASP 2, ASP PF, ASP 4 FF, ASP 2 F, ASP 2 LC STANDARD MBC® NAS1719, NAS1720 NAS1721	13/64 1/8 5/32 3/16	ASP06-752B-20	ASP06-752B-45	ASP06-751B-54RA ASP06-752B-43OS
MBC® LOCKCREATOR NAS1719X(L), NAS1720X(L) NAS1721X(L)	1/8 5/32 3/16	456MAX-751-23 <sub>2</sub> 06MAX-751-23VT <sub>2</sub> (VT-Vacuum Tube only)	456MAX-751A-61 <sub>2</sub>	456MAX-751D-54RA <sub>2</sub> 456MAX-731-43OS <sub>2</sub>
GROUND STUD, MB3454 & BACS53B <sub>5</sub>	8/32 10/32	GS8-752C-20 GS10-752B-20	GS8-752C-45 GS10-752B-45	GS8-751C-54RA GS10-752A-54RA GS8-752B-43OS GS10-752B-43OS
POP® OPEN END NAIL RIVET	3/32 1/8 5/32 3/16	3N-751-23 4N-751-23 5N-751-23 6N-751-23	3N-352-61 4N-352-61 5N-352-61 6N-352-61	3N-751B-54RA 4N-751B-54RA 5N-751B-54RA 6N-751C-54RA
POP® CLOSED END NAIL RIVET (ALUMINUM MANDREL)	3/32 1/8 5/32 3/16	3N-751-23 4CEA-751-23 5CEA-751-23 6CEA-751-23	3N-352-61 4CEA-352-61 5CEA-352-61 6CEA-352-61	3N-751B-54RA 4CEA-751B-54RA 5CEA-751B-54RA 6CEA-751C-54RA
POP® CLOSED END NAIL RIVET (STEEL MANDREL)	3/32 1/8 5/32 3/16	3N-751-23 4CES-751-23 5CES-751-23 6CES-751-23	3N-352-61 4CES-352-61 5CES-352-61 6CES-352-61	3N-751B-54RA 4CES-751B-54RA 5CES-751B-54RA 6CES-751C-54RA
FASTACK® AF5055	1/8 5/32 3/16	4C-752C-20 5C-752C-20 6C-752B-20	4C-752C-45 5C-752C-45 6C-752B-45	4C-751C-54RA 5C-751C-54RA 6C-751C-54RA
SUPERTACK® AF5075 AF5076 S149A020	1/8 5/32 3/16 1/4	3A-352B-25 4A-752C-20 5A-752C-20 6A-752B-20	4A-752C-45 5A-752C-45 6A-752B-45	3A-751C-54RA 4A-751C-54RA 5A-751C-54RA 6A-751C-54RA

UNIMATIC® AND ASP® ARE REGISTERED TRADEMARKS OF ARCONIC INC. CHERRY MAX®, MAXIBOLT® AND MBC® ARE REGISTERED TRADEMARKS OF CHERRY AEROSPACE. FASTACK® AND SUPERTACK® ARE REGISTERED TRADEMARKS OF ALLFAST FASTENING SYSTEMS INC. POP® IS A REGISTERED TRADEMARK OF EMHART

### GAGE BILT CERTIFIES THE GB751 WILL INSTALL THE ABOVE FASTENERS

- RIGHT ANGLE NOSE ASSEMBLIES MAY REQUIRE MORE THAN ONE PULL.
- INSTALLS 1/8", 5/32" & 3/16" DIAMETERS.
- ALUMINUM ONLY.
- INSTALLS 5/32", 3/16" & 1/4" DIAMETERS.
- BACS53B - 10 ONLY
- THESE NOSES FOR LIGHT DUTY / REPAIR ONLY. CONSULT GAGE BILT FOR HIGH PRODUCTION APPLICATIONS.
- NOSE ASSEMBLIES REQUIRE THE 751204 ADAPTER.

NOTE: THE LAST 2 DIGITS OF THE NOSE ASSEMBLY REPRESENTS THE LENGTH THE NOSE EXTENDS FROM THE TOOL. I.E. -20 = 2.0 INCHES