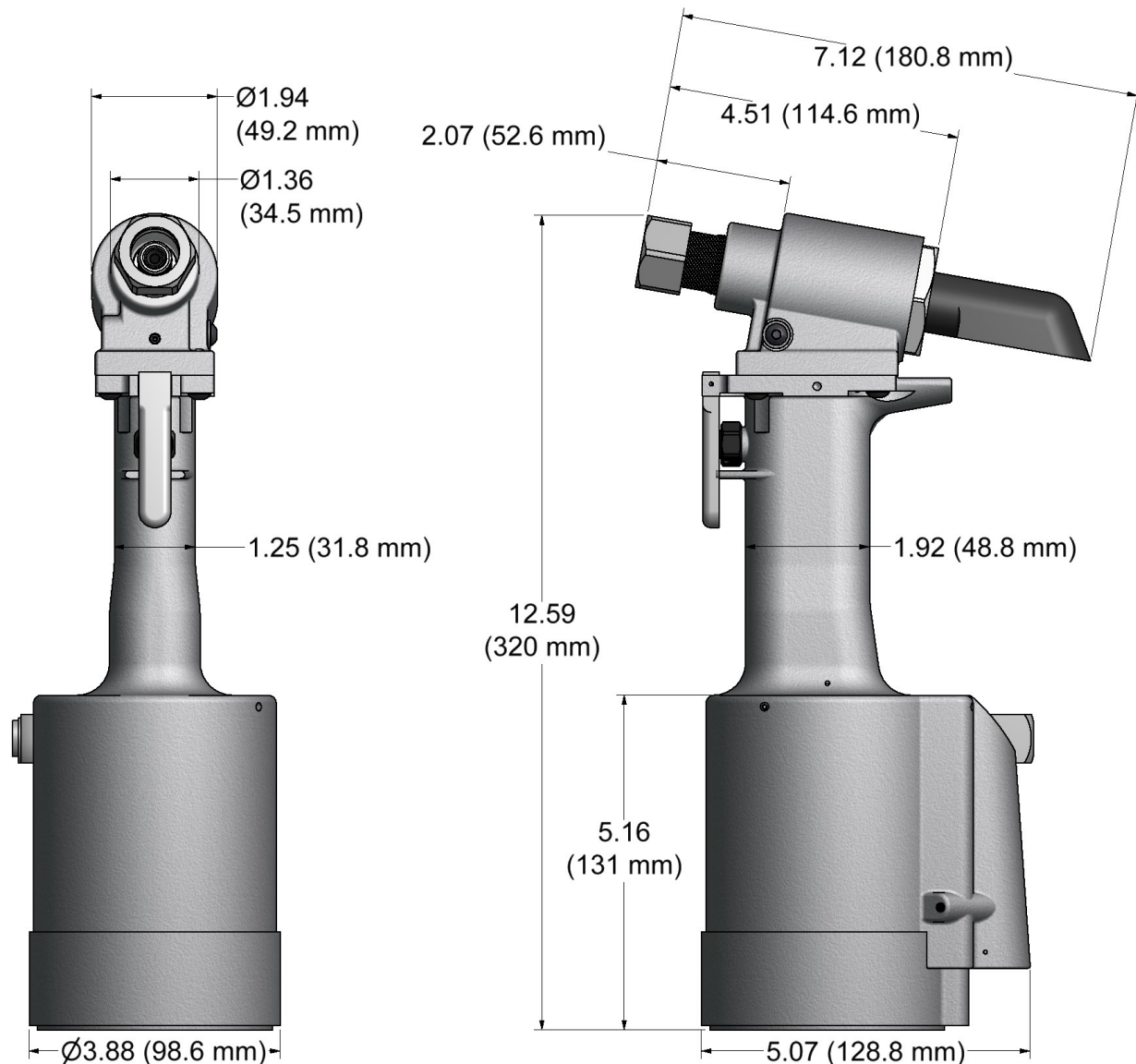


GB722 INSTALLATION TOOL



DESCRIPTION

The GB722 is a pneumatic-hydraulic tool designed specifically for the efficient installation of a wide range of blind rivets and lock-bolt fasteners. It weighs 5.50 lbs. (2.49 kg) and can be operated in any position with one hand. It has a .590" (15.0mm) rivet setting stroke and a rated pull load of 4700 lbs (20.9 kN) with 90 psi (6.2 bar) air pressure at the air inlet.

The GB722 riveter operates on 90 to 100 psi (6.2-6.9 bar) of air pressure providing the maximum efficiency. At 90 psi (6.2 bar) of air pressure, the GB722 does not exceed 81.5 dB (A) and consumes 3 cfm at 20 cycles a minute.

The air inlet is provided with 1/4-18 female pipe thread to accept the users air hose fitting.

NOSE ASSEMBLIES ARE NOT FURNISHED WITH TOOL AND MUST BE ORDERED SEPARATELY.

GAGE BILT
 **MADE in USA**

44766 Centre Court Clinton Twp. MI 48038 USA
Ph: +1 (586) 226-1500 Fax: +1 (586) 226-1505
solutions@gagebilt.com / www.gagebilt.com



GB722-NOSE ASSEMBLY SELECTION CHART & ACCESSORIES



ACCESSORIES (SOLD SEPARATELY)

NOSE ASSEMBLIES (SOLD SEPARATELY)

**AIR BLEEDER
ASSY**
#704153
EQUIVALENT TO
#700A77

**STEM CATCHER
BAG**
#756610
EQUIVALENT TO
#125652



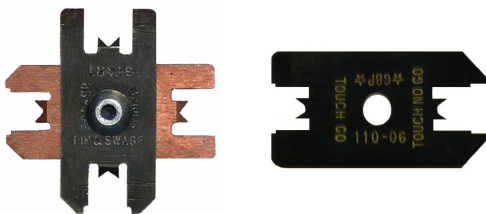
**GRIP GAGE FOR NAS LOCKBOLTS AND
BLIND FASTENERS #GB105093
(EQUIVALENT TO #105093)**



**GRIP GAGE FOR CHERRYMAX® AND
CHERRYLOCK® RIVETS #269G3**

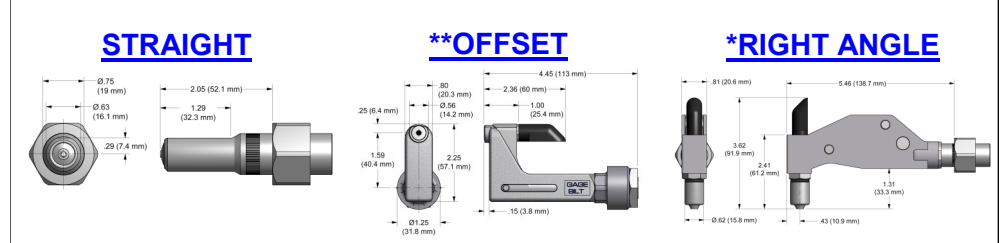


**GAGE BILT ALSO SUPPLIES PIN & COL-
LAR SWAGE INSPECTION GAGES TO
CERTIFY CORRECT SWAGE**



**GAGE BILT OFFERS A WIDE SELECTION
OF STANDARD AND CUSTOM KITS
TAILORED TO YOUR NEEDS.**

GB722CKL TRAILER AND CAB KIT



FASTENER	DIA.	STRAIGHT		*RIGHT ANGLE	**OFFSET
C6L® LOCKBOLTS	3/16 1/4	LB06-722-20 LB08-722-20	LB06-722-60 LB08-722-60		
MAGNA-GRIP® LOCKBOLTS MULTI-GRIP	3/16 1/4	MG06-722-20 MG08-722-20	MG06-722-60 MG08-722-60		
FROTRUDING HEAD, MAGNA-LOK® BLIND RIVETS	3/16 1/4	MGL06-752A-21 MGL08-752A-21	MGL06-752A-61 MGL08-752A-61	MGL06-713B-58RA MGL08-713B-58RA	
COUNTERSUNK HEAD, MAGNA-LOK® BLIND RIVETS	3/16 1/4	MGLC06-752A-21 MGLC08-752A-21	MGLC06-752A-61 MGLC08-752A-61		
BLIND BOLT (SINGLE ACTION) WITH OR W/OUT DRIVE WASHER	1/8 5/32	SB04-752C-20 SB05-752C-20	SB04-752C-45 SB05-752C-45	SB04-751B-54RA SB05-751B-54RA	SB04-752A-43OS SB05-752A-43OS
MS90353S & U / MS90354S & U MS21140S & U / MS21141S & U MAXIBOLT®, BACB30YY, YU, & YT	3/16	SB06-752B-20 SB06-752B-80	SB06-752B-45	SB06-751B-54RA	SB06-204D-27OS
BLIND BOLT (SINGLE ACTION) WITH DRIVE WASHER	1/8 5/32	UBB04-752C-20 UBB05-752C-20	UBB04-752C-45 UBB05-752C-45	UBB04-751B-54RA UBB05-751B-54RA	UBB04-752A-43OS UBB05-752A-43OS
MS90353S & U / MS90354S & U MS21140S & U / MS21141S & U MAXIBOLT®, BACB30YY, YU, & YT	3/16	UBB06-752B-20 UBB06-752B-80	UBB06-752B-45	UBB06-751B-54RA	UBB06-204D-27OS
EN6122 & UAB130-EU EN6127 & UAB6127-EU EN6128 & UAB100-EU EN6129 & UABP-EU MAXIBOLT® PLUS	1/8 5/32 3/16 1/4	UAB04-752B-20 UAB568-713-21	UAB04-752B-45 UAB568-713-61	UAB04-751B-54RA UAB05-751B-54RA UAB06-751B-54RA	UAB04-752A-43OS UAB05-752A-43OS UAB06-752A-43OS UAB08-204D-27OS
UNIMATIC® BLIND RIVET (SINGLE ACTION) WITH OR W/OUT DRIVE WASHER	1/8 5/32 3/16	SMLS04-752C-20 SMLS05-752C-20	SMLS04-752C-45 SMLS05-752C-45	SMLS04-751B-54RA SMLS05-751B-54RA SMLS06-751B-54RA	SMLS04-752A-43OS SMLS05-752A-43OS SMLS06-752A-43OS
NAS1900 S & U SERIES	1/4	SMLS08-713-20	SMLS08-713-45	SMLS08-751B-54RA	SMLS08-204D-27OS SMLS08-204D-37OS
UNIMATIC® BLIND RIVET (SINGLE ACTION) WITH DRIVE WASHER	1/8 5/32 3/16	456UBR-751A-21	456UBR-751A-61	456UBR-751D-54RA	456MAX-731-43OS
NAS1900 S & U SERIES	1/4	UBR08-713-20	UBR08-713-45	UBR08-751B-54RA	UBR08-204D-27OS UBR08-204D-37OS
"A" CODE NAS1398A & NAS1399A	3/32 1/8 5/32 3/16 1/4	3A-352B-25 4A-752C-20 5A-752C-20 6A-752B-20	4A-752C-45 5A-752C-45 6A-752B-45	3A-751B-54RA 4A-751B-54RA 5A-751B-54RA 6A-751B-54RA	4A-752A-43OS 5A-752A-43OS 6A-752A-43OS
MONOBOLT®	3/16 1/4	MB06-752A-21 MB08-752A-21	MB06-752A-61 MB08-752A-61	MB06-751B-54RA MB08-713-58RA	
CONTAINER BOLT(R 12) HLPP, HLFM, HLPE, HLPS HLPS & HLPSP	3/8	HT12-713-20			
CHERRYMAX®, CHERRYMAX® 'AB', MBC® LOCK CREATOR BACR15FR/FR, BACR15GF/GK,	1/8 5/32 3/16	456MAX-751-23	456MAX-751A-61	456MAX-751D-54RA	456MAX-731-43OS
NAS1900 S & U SERIES BLIND RIVET WITH DRIVE WASHER	1/4	08MAX-752B-20	08MAX-752B-45	08MAX-713-58RA	08MAX-204D-27OS 08MAX-204D-37OS
ASP® ASP 2, ASP FF, ASP 4 FF, ASP 2 F, ASP 2 LC	13/64 17/64 21/64	ASP06-752B-20 ASP08-752B-20 ASP10-713-20	ASP06-752B-45 ASP08-752B-45 ASP10-713-45	ASP06-751B-54RA ASP08-751B-54RA	ASP06-752A-43OS ASP08-752A-43OS ASP10-204D-27OS ASP10-204D-37OS
NAS1719, NAS1720 NAS1721	1/8 5/32 3/16	MBC04-752C-20 MBC05-752C-20 MBC06-752B-20	MBC04-752C-45 MBC05-752C-45 MBC06-752B-45	MBC04-751C-54RA MBC05-751C-54RA MBC06-751C-54RA	MBC04-752A-43OS MBC05-752A-43OS MBC06-752A-43OS
GROUND STUD, MB3454 & BACS53B	8/32 10/32	GS8-752C-20 GS10-752B-20	GS8-752C-45 GS10-752B-45	GS8-751B-54RA GS10-752A-54RA	GS8-752A-43OS GS10-752A-43OS

MONOBOLT® IS A REGISTERED TRADEMARK OF AVDEL UK LIMITED. ASP®, C6L®, UNIMATIC®, MAGNA-LOK® AND MAGNA-GRIP® ARE REGISTERED TRADEMARKS OF ARCONIC INC., CHERRYMAX®, MAXIBOLT® AND MBC® ARE REGISTERED TRADEMARKS OF CHERRY AEROSPACE FASTENERS.

GAGE BILT CERTIFIES THE GB722 WILL INSTALL THE ABOVE FASTENERS

*ALL RIGHT ANGLE NOSE ASSEMBLIES REQUIRE 722142 STROKE LIMITER.
**ALL OFFSET 204 SERIES NOSES REQUIRE 751204 ADAPTER.
1) INSTALLS 1/8 5/32 & 3/16 DIAMETERS
2) RIGHT ANGLE NOSE ASSEMBLIES MAY REQUIRE MORE THAN ONE PULL.
3) INSTALLS 5/32, 3/16 & 1/4 DIAMETERS.
4) 105 PSI REQUIRED FOR MS90353 & 54
5) THESE NOSES FOR LIGHT DUTY / REPAIR ONLY. CONSULT GAGE BILT FOR HIGH PRODUCTION APPLICATIONS.
6) 2 PULLS REQUIRED FOR MOST APPLICATIONS.
7) BACS53B -10 ONLY

NOTE: THE LAST 2 DIGITS OF THE NOSE ASSEMBLY REPRESENTS THE LENGTH THE NOSE EXTENDS FROM THE TOOL . I.E. -20 = 2.0 INCHES