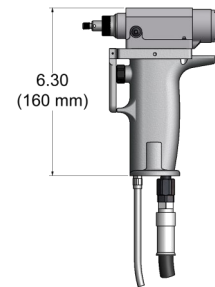
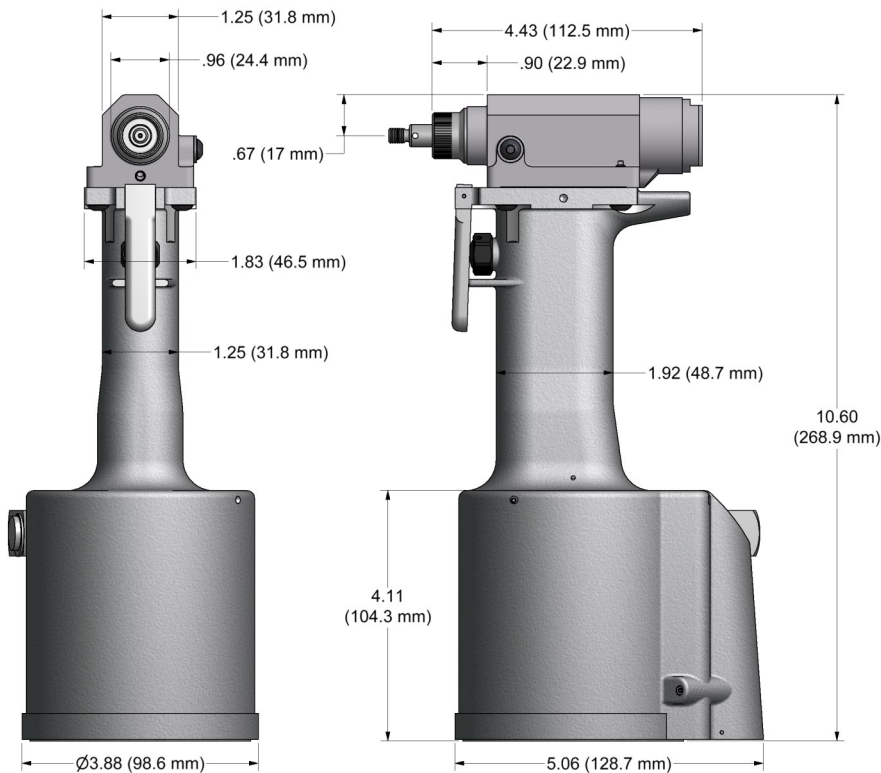


GB715

INSTALLATION TOOL SERIES

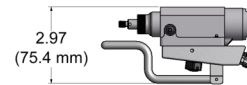
GB715

Stroke - 1.200" (30.48 mm)
 Hand held weight - 3.80 lbs. (1.72 kg)
 Entire tool weight - 3.80 lbs. (1.72 kg)
 Pull load - 1,400 (6.23 kN)



GB715SH

Stroke - 1.200" (30.48 mm)
 Hand held weight - 2.00 lbs. (1.72 kg)
 Entire tool weight - 7.25 lbs. (1.72 kg)
 Pull load - 1,400 (6.23 kN)



GB715SR

Stroke - 1.200" (30.48 mm)
 Hand held weight - 1.50 lbs. (.68 kg)
 Entire tool weight - 6.75 lbs. (3.06 kg)
 Pull load - 1,400 (6.23 kN)

DESCRIPTION

The GB715 series are pneumatic-hydraulic tools designed specifically for the efficient installation of a wide range of blind rivets. They can be operated in any position with one hand. They have a rated pull load of 1,400 pounds (6.23 kN) with 90 psi (6.2 bar) air pressure at the air inlet.

The GB715SH and GB715SR riveters offer a unique "split" system providing the operator with an ergonomic tool with reduced hand held weight, as shown below.

The GB715 series riveters operate on 90 to 100 psi (6.2-6.9 bar) of air pressure, providing the maximum efficiency. At 90 psi. (6.2 bar) of air pressure, the GB715 series does not exceed 81.5 dB(A) and consumes 3 cfm at 20 cycles a minute.

The air inlet is provided with 1/4-18 female pipe thread to accept the users air hose fitting.

NOSE ASSEMBLIES ARE NOT FURNISHED WITH TOOL AND MUST BE ORDERED SEPARATELY.



GB715-NOSE ASSEMBLY SELECTION CHART & ACCESSORIES



NOSE ASSEMBLIES (SOLD SEPARATELY)

		STRAIGHT	RIGHT ANGLE	OFFSET
FASTENER	DIA.	STRAIGHT	RIGHT ANGLE	OFFSET
MS20600 SERIES MS/9SP/PT BACR15CC/CF/DA	3/32 1/8 5/32 ³ 3/16 ³	3C-715B-43 4C-715B-43 5C-715B-43 6C-715B-43	3C-715A-54RA 4C-715A-54RA 5C-715A-54RA 6C-715A-54RA	3C-715-40OS 4C-715-40OS 5C-715-40OS 6C-715-40OS
A' CODE NAS1398A NAS1399A	3/32 1/8 5/32 ³ 3/16 ⁴	3A-715B-43 4A-715B-43 5A-715B-43 6A-715B-43	3A-715A-54RA 4A-715A-54RA 5A-715A-54RA 6A-715A-54RA	3A-715-40OS 4A-715-40OS 5A-715-40OS 6A-715-40OS
BLIND RIVET (SINGLE ACTION) WITH OR W/O DRIVE WASHER NAS1900 S & U SERIES	1/8 5/32 ₃ 3/16 ₃	SMLS04-715B-43 SMLS05-715B-43 SMLS06-715B-43	SMLS04-715-54RA SMLS05-715-54RA SMLS06-715-54RA	SMLS04-715A-40OS SMLS05-715A-40OS SMLS06-715A-40OS
CHERRYMAX®, CHERRYMAX® 'AB', MBC® LOCK CREATOR BACR15FR/FP, BACR15GF/GK, NAS1900 S & U SERIES BLIND RIVET WITH DRIVE WASHER	1/8 5/32 ₃ 3/16 ₃	456MAX-715-43 ²	456MAX-715B-54RA ²	456MAX-715A-40OS ²
GROUND STUD	8/32 10/32	GS8-715B-43 GS10-715B-43		
FASTACK® AF5055	3/32 1/8 5/32 3/16	3C-715B-43 4C-715B-43 5C-715B-43 6C-715B-43	3C-715A-54RA 4C-715A-54RA 5C-715A-54RA 6C-715A-54RA	3C-715-40OS 4C-715-40OS 5C-715-40OS 6C-715-40OS
SUPERTACK® AF5075 AF5076 S149A020	1/8 5/32 3/16	3A-715B-43 4A-715B-43 5A-715B-43	3A-715A-54RA 4A-715A-54RA 5A-715A-54RA	3A-715-40OS 4A-715-40OS 5A-715-40OS

CHERRYMAX® AND MBC® ARE REGISTERED TRADEMARKS OF CHERRY AEROSPACE FASTENERS. FASTACK® AND SUPERTACK® ARE REGISTERED TRADEMARKS OF ALLFAST FASTENING SYSTEMS INC.

GAGE BILT CERTIFIES THE GB715 WILL INSTALL THE ABOVE FASTENERS

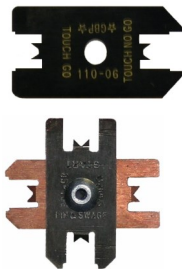
**ALL COUNTERSUNK 'C' NOSE ASSEMBLIES MAY BE USED TO INSTALL BOTH UNIVERSAL AND COUNTERSUNK HEAD RIVETS.
1) RIGHT ANGLE NOSE ASSEMBLIES MAY REQUIRE MORE THAN ONE PULL
2) INSTALLS 1/8, 5/32 & 3/16 DIAMETERS
3) ALUMINUM ONLY.
4) SELF-PLUGGING ALUMINUM ONLY.

NOTE: THE LAST 2 DIGITS OF THE NOSE ASSEMBLY REPRESENTS THE LENGTH THE NOSE EXTENDS FROM THE TOOL I.E. -20 = 2.0 INCHES

6/15

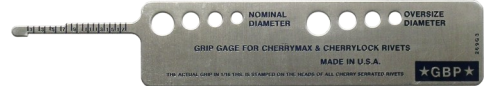
ACCESSORIES (SOLD SEPARATELY)

AIR BLEEDER ASSY
#704153 (Equivalent to #700A77)



**GAGE BILT ALSO
SUPPLIES PIN &
COLLAR SWAGE
INSPECTION GAGES
TO CERTIFY
CORRECT SWAGE
INSTALLATION.**

GRIP GAGE FOR CHERRYMAX® AND CHERRYLOCK® RIVETS
#269G3 (Similar to #269C3)



GRIP GAGE FOR NAS LOCKBOLTS AND BLIND FASTENERS
#GB105093 (Equivalent to #105093)



Effective FOD Control (foreign object damage/debris). Install catcher bag on the front of the riveter to catch spent pintail stems. Place nose assembly through grommet on catcher bag and easily fasten catcher bag to tool using the Velcro strap. Features an easily emptied zippered pouch.

Use catcher bag 500610 for XX-51-46 straight nose assemblies.
Use catcher bag 715610 for XX-715-43 straight nose assemblies.

CATCHER BAGS ARE NOT FURNISHED WITH TOOLS AND MUST BE PURCHASED SEPARATELY.