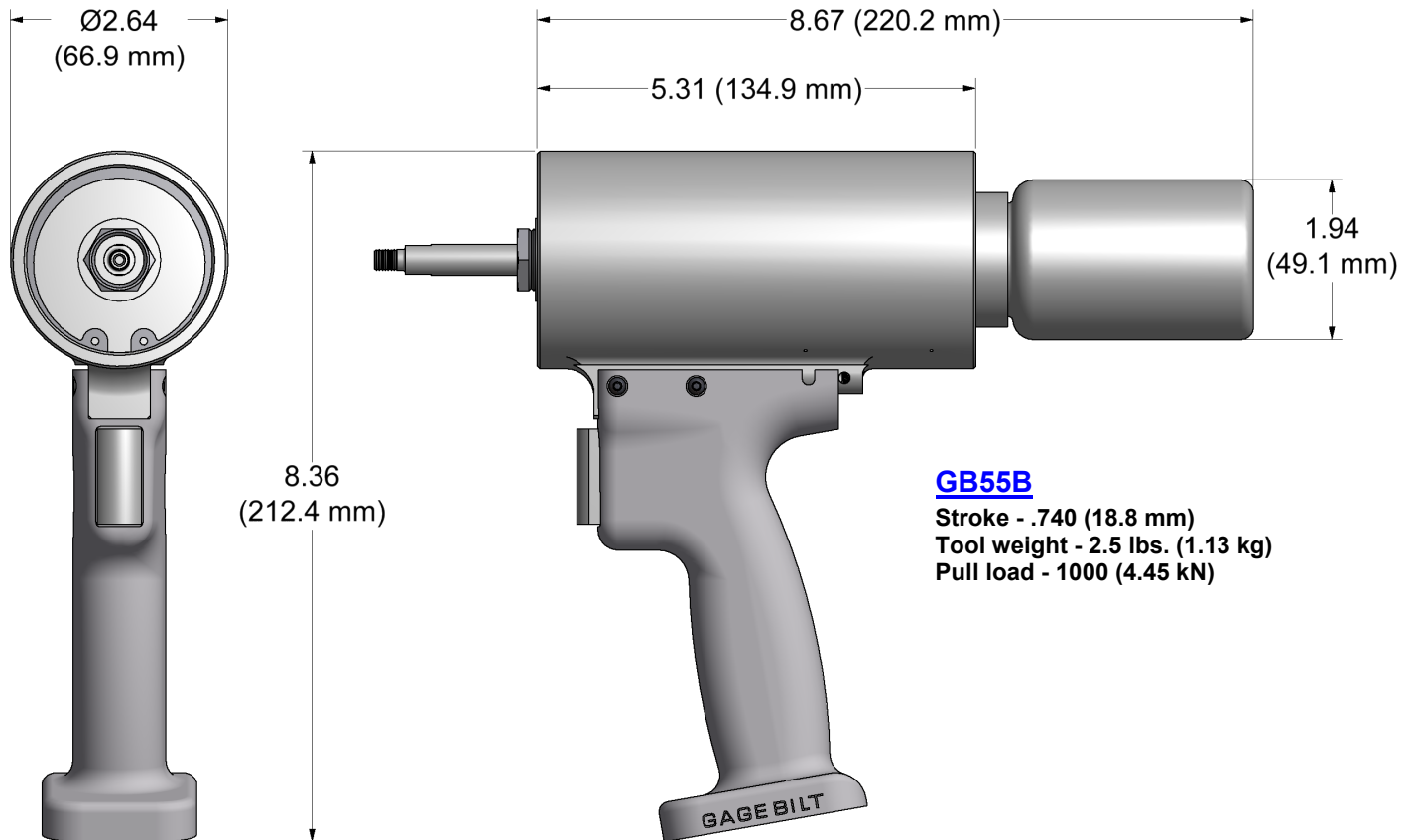


# GB55B

## PNEUMATIC INSTALLATION TOOL

NEW  
INNOVATION



### DESCRIPTION

The GB55B pneumatic installation tool is designed specifically for the most efficient installation of blind rivets. GB55B incorporates a collection bottle system to collect spent pintails into a bottle eliminating FOD. It will install aluminum rivets through 3/16" diameter, and through 1/8" diameter rivets in any material. It weighs only 2 1/2 lbs. (1.13 kg) and can be operated in any position.

The GB55B pneumatic installation tool is 8.36" (212.4 mm) high, has a .740 (18.8 mm) stroke and generates a minimum of 1000 lbs. (4.45 kN) of pull at 90 psi. (6.2 bar). It operates on 90 to 100 psi (6.2-6.9 bar) of air pressure at the tool. The GB55B does not exceed 81.5 dB(A) and consumes .29 SCF/cycle (8.21 L/cycle).

The air inlet is provided with 1/4-18 female pipe thread to accept the users air hose fitting.

**NOSE ASSEMBLIES ARE NOT FURNISHED WITH THIS TOOL AND MUST BE PURCHASED SEPARATELY.**

**GAGE BILT**  
 **MADE in USA**

44766 Centre Court Clinton Twp. MI 48038 USA  
Ph: +1 (586) 226-1500 Fax: +1 (586) 226-1505  
solutions@gagebilt.com / www.gagebilt.com

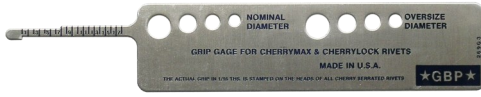


# ACCESSORIES



## Grip Gage for CHERRYMAX® and CHERRYLOCK® rivets

# 269G3  
(Sold Separately)



## Grip Gage for NAS LOCKBOLTS and blind fasteners

#GB105093  
(Sold Separately)



### Riveter Kits Available

Contact Gage Bilt to create your own custom kit  
(Sold Separately)



### Alternative Option

GB51 Pneumatic Riveter  
With stem catcher bag  
for FOD control



See GB51 nose assembly selection chart for  
GB51 nose assemblies  
(Sold Separately)

## NOSE ASSEMBLY SELECTION CHART

**STRAIGHT**  
(Sold Separately)



FASTENER	DIA.	STRAIGHT
NUT PLATE RIVETS MS20600 SERIES CCR244/264/274 MS/9SP/PT BACR15CC/CF/DA/DR	3/32 1/8 5/32 <sup>1</sup>	3C-54-43 4C-54-43 5C-54-43
"A" CODE NAS1398A, NAS1399A NAS1740A, NAS1739A	3/32 1/8 5/32 <sup>1</sup>	3A-54-43 4A-54-43 5A-54-43
<b>BLIND RIVET (SINGLE ACTION) WITH OR W/OUT DRIVE WASHER</b> NAS1900 S & U SERIES	1/8 5/32 <sup>1</sup>	SMLS04-54-43 SMLS05-54-43
CHERRYMAX®, CHERRYMAX® 'AB', MBC® LOCK CREATOR BACR15FR/FP, BACR15GF/GK,	1/8	456MAX-54-43
MBC® NAS1715-1721	1/8 5/32 3/16	MBC04-54-43 MBC05-54-43 MBC06-54-43
OPEN END NAIL RIVET	3/32 1/8 5/32 <sup>2</sup> 3/16 <sup>1</sup>	3N-54-43 4N-54-43 5N-54-43 6N-54-43
CLOSED END NAIL RIVET (ALUMINUM MANDREL)	3/32 1/8 5/32 3/16	3N-54-43 4CEA-54-43 5CEA-54-43 6CEA-54-43
CLOSED END NAIL RIVET (STEEL MANDREL)	3/32 1/8 5/32	3N-54-43 4CES-54-43 5CES-54-43
FASTACK® AF5022 AF5055	3/32 1/8 5/32	3C-54-43 4C-54-43 5C-54-43
SUPERTACK® AF5075 AF5076 S149A020	1/8 5/32 3/16	3A-54-43 4A-54-43 5A-54-43

CHERRYMAX® AND MBC® ARE REGISTERED TRADEMARKS OF CHERRY AEROSPACE. FASTACK® AND SUPERTACK® ARE REGISTERED TRADEMARKS OF ALLFAST FASTENING SYSTEMS INC.

**GAGE BILT CERTIFIES THE GB55B WILL INSTALL THE ABOVE FASTENERS**

1) ALUMINUM ONLY.

2) ALUMINUM AND STEEL ONLY.

\*ALL COUNTERSUNK 'C' NOSE ASSEMBLIES MAY BE USED TO INSTALL BOTH UNIVERSAL & COUNTERSUNK HEAD RIVETS

NOTE: THE LAST 2 DIGITS OF THE NOSE ASSEMBLY REPRESENTS THE LENGTH THE NOSE ASSEMBLY EXTENDS FROM THE TOOL I.E. -20 = 2.0 INCHES

Rev. 5/18