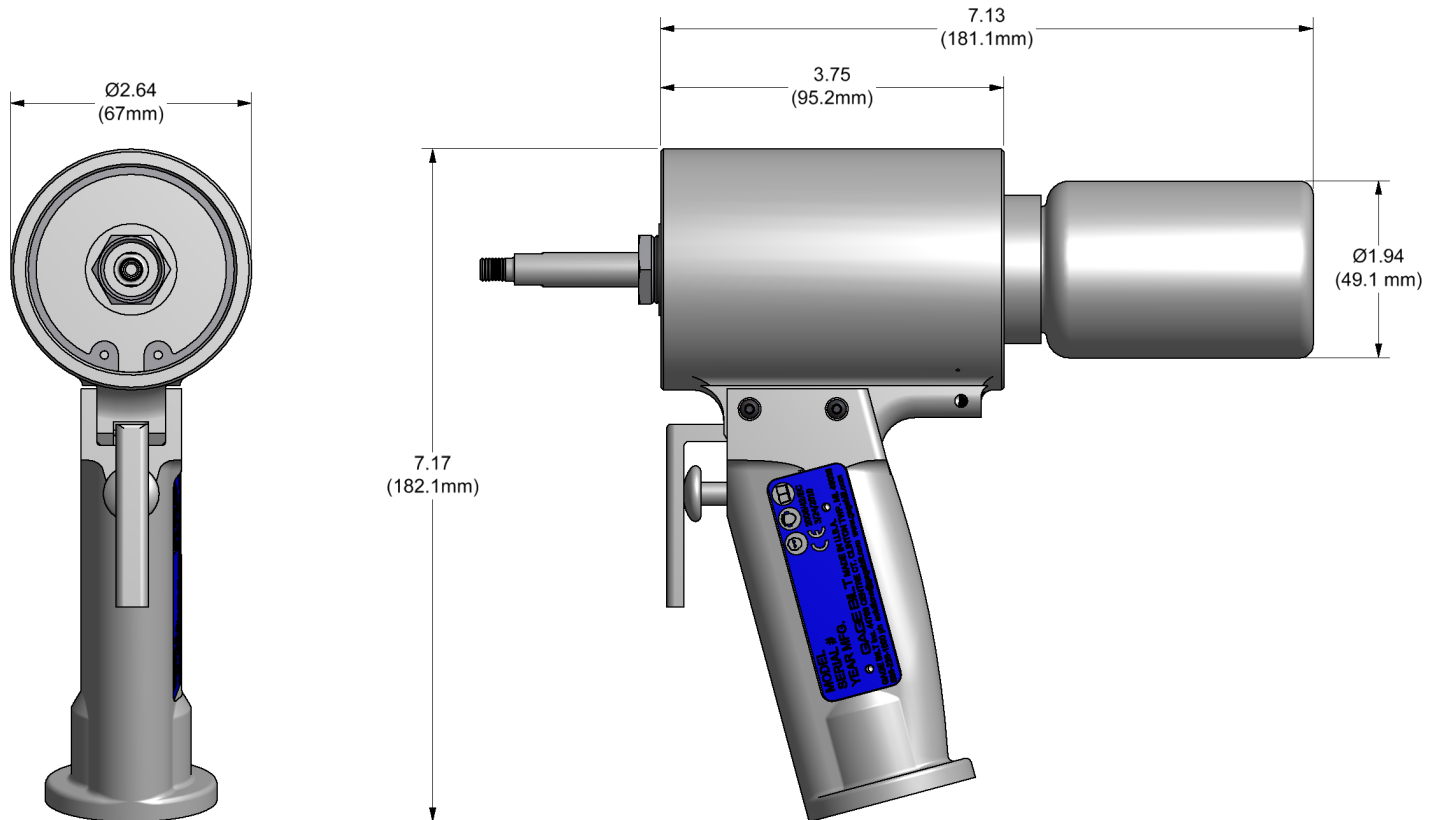


GB54B

PNEUMATIC INSTALLATION TOOL

NEW
INNOVATION



DESCRIPTION

The GB54B Pneumatic Riveter is designed specifically for the most efficient installation of a wide range of blind rivets. It will install aluminum rivets through 5/32" diameter, and through 1/8" diameter rivets in any material. It weighs only 1.8 lbs. (0.82 kg) and can operate in any position, with one hand.

The GB54B Riveter is 7.17" (182.1 mm) high, has a .740" (18.8mm) stroke and generates a minimum of 600 lbs. (2.67kN) of pull at 90 psi (6.2 bar). It operates on 90-100 psi (6.2-6.9 bar) of air pressure at the tool.

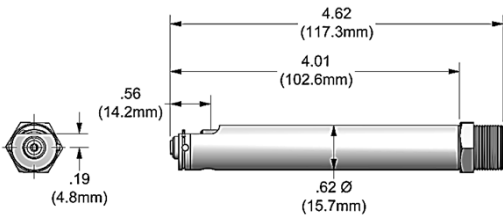
The air inlet is provided with 1/4-18 female pipe thread to accept the users air hose fitting.

NOSE ASSEMBLIES ARE NOT FURNISHED WITH THIS TOOL AND MUST BE PURCHASED SEPARATELY.

GAGE BILT
 **MADE in USA**

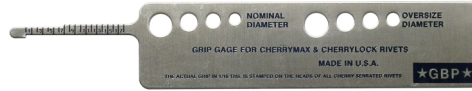
44766 Centre Court Clinton Twp. MI 48038 USA
Ph: +1 (586) 226-1500 Fax: +1 (586) 226-1505
solutions@gagebilt.com / www.gagebilt.com

STRAIGHT



ACCESSORIES (SOLD SEPARATELY)

Grip Gage for **CHERRYMAX®**
and **CHERRYLOCK®** rivets
269G3 (Similar to #269C3)



Grip Gage for **NAS LOCKBOLTS**
and blind fasteners
#GB105093 (Equivalent to #105093)



NOSE ASSEMBLY SELECTION CHART

FASTENER	DIA.	STRAIGHT
NUT PLATE RIVETS MS20600 SERIES CCR244/264/274 MS/9SP/PT BACR15CC/CF/DA/DR	3/32 1/8	3C-54-43 4C-54-43
NAS1398A/1399A NAS1738A/1739A RV 1000/1100 & 1200	3/32 1/8	3A-54-43 4A-54-43
BLIND RIVET (SINGLE ACTION) WITH OR W/OUT DRIVE WASHER NAS1900 S & U SERIES	1/8	SMLS04-54-43
OPEN END NAIL RIVET	3/32 1/8	3N-54-43 4N-54-43
CLOSED END NAIL RIVET (ALUMINUM MANDREL)	3/32 1/8	3N-54-43 4CEA-54-43
CLOSED END NAIL RIVET (STEEL MANDREL)	3/32 1/8	3N-54-43 4CES-54-43
FASTACK® AF5055	3/32 1/8	3C-54-43 4C-54-43
SUPERTACK® AF5075 AF5076 S149A020	1/8 5/32	3A-54-43 4A-54-43

CHERRYMAX® AND MBC® ARE REGISTERED TRADEMARKS OF CHERRY AEROSPACE. FASTACK® AND SUPERTACK® ARE REGISTERED TRADEMARKS OF ALLFAST FASTENING SYSTEMS INC.

GAGE BILT CERTIFIES THE GB54B WILL INSTALL THE ABOVE FASTENERS

1) ALUMINUM ONLY.

2) ALUMINUM & STEEL ONLY.

*ALL COUNTERSUNK 'C' NOSE ASSEMBLIES MAY BE USED TO INSTALL BOTH UNIVERSAL & COUNTERSUNK HEAD RIVETS

Riveter Kits Available

Contact Gage Bilt to create your own custom kit



Alternative Option

GB50 Pneumatic Riveter
With stem catcher bag
for FOD control



See GB50 nose assembly selection chart for
GB50 nose assemblies

NOTE: THE LAST 2 DIGITS OF THE NOSE ASSEMBLY REPRESENTS THE LENGTH
THE NOSE EXTENDS FROM THE TOOL I.E. -20 = 2.0 INCHES

8/17