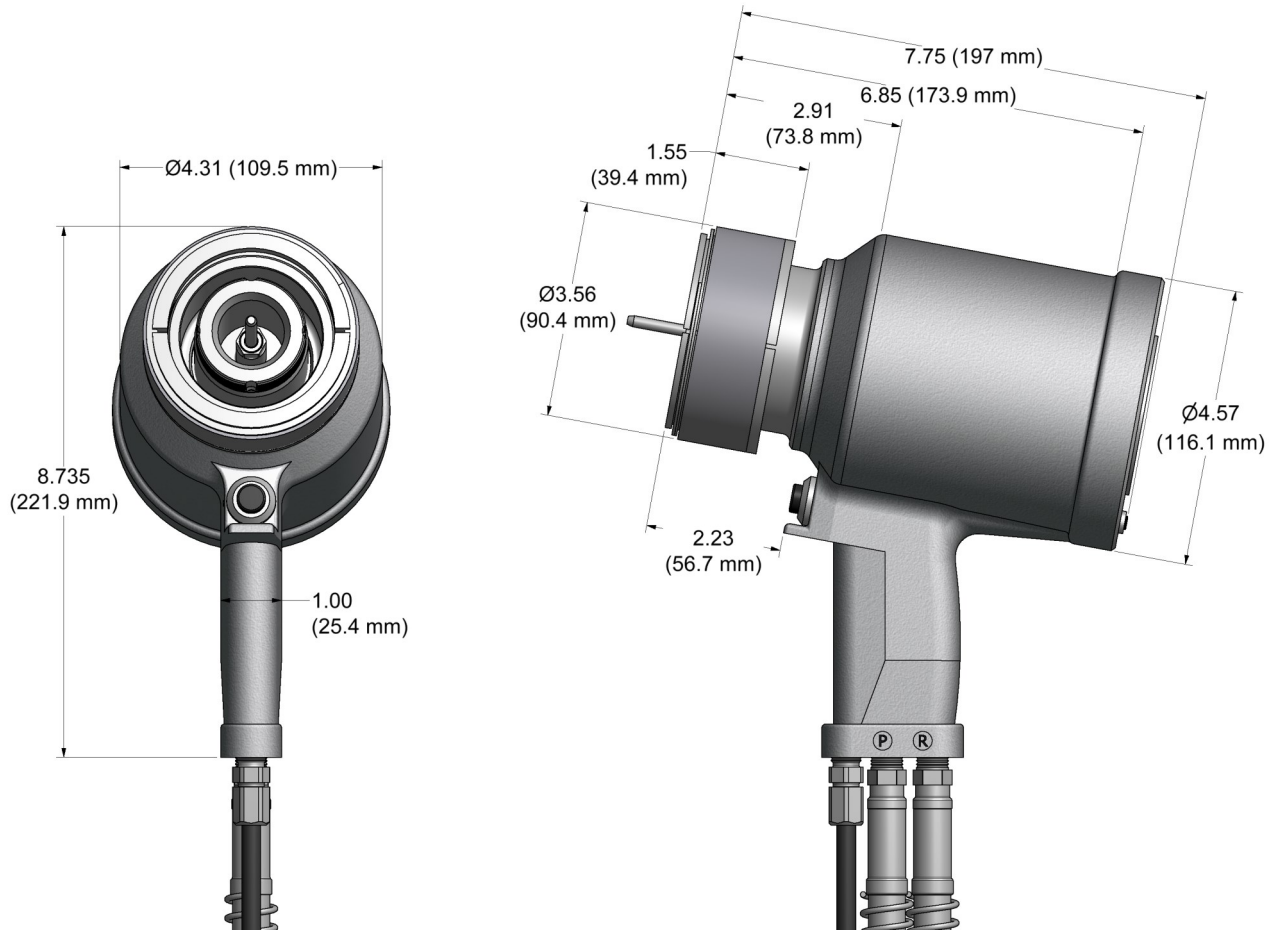


GB2630 GB2630A

HYDRAULIC INSTALLATION TOOL



DESCRIPTION

The GB2630 and the GB2630A are hydraulic installation tools designed specifically for the efficient installation of 7/8" diameter lockbolts. It weighs just over 22.4 lbs. (10.2 kg). and can be operated in any position with one hand. It has a 1.906" (48.4mm) rivet stroke and a rated pull load of 55,940 lbs. (248.8kN) @ 7,400 psi. (510.2 bar).

The GB2630 installation tool operates on hydraulic pressure developed by the GB940 Powerunit set at 7,400 psi (510.2 bar) maximum PULL pressure and 3,200 psi. (220.6 bar) maximum RETURN pressure. The tool comes equipped with 2 feet of hydraulic hoses and couplings, electric switch and cord.

The GB2630A installation tool operates on hydraulic pressure developed by the GB910 Powerunit set at 7,400 psi (510.2 bar) maximum PULL pressure and 3,200 psi. (220.6 bar) maximum RETURN pressure. The tool comes equipped with 2 feet of hydraulic hoses, swivels and couplings, air trigger and tube.

ALL GAGE BILT HYDRAULIC INSTALLATION TOOLS ARE COMPATABLE WITH HUCK® POWERUNITS. NOSE ASSEMBLIES ARE NOT FURNISHED WITH THESE TOOLS AND MUST BE ORDERED SEPARATELY.

GAGE BILT
MADE in USA

44766 Centre Court +1 (586) 226-1500
Clinton Twp. MI 48038 USA +1 (586) 226-1505 Fax
e-mail: solutions@gagebilt.com / www.gagebilt.com

GB2630 - SELECTION CHART



FASTENER	DIA.	NOSE ASSEMBLY
LOCKBOLT HIGH TENSILE PULL TYPE C50L®	7/8"	28-2630-28



C50L® IS A REGISTERED TRADEMARK OF ALCOA INC.

GAGE BILT CERTIFIES THE GB2630 WILL INSTALL THE ABOVE FASTENERS

NOTE: THE LAST 2 DIGITS OF THE NOSE ASSEMBLY REPRESENTS THE LENGTH THE NOSE ASSEMBLY EXTENDS FROM THE TOOL. (I.e. -28 = 2.8 inches)

7/11

WARRANTY

Seller warrants that all goods covered by this catalog will conform to applicable specifications and will replace or repair, F.O.B. our plant, any goods providing defective from faulty workmanship, or material, for 6 months from date of shipment.

Said warranty to remain in effect if, and only if, such goods are used in accordance with all instructions as to maintenance, operation and use, set forth in manuals and instruction sheets furnished by seller.

Sellers obligation under this warranty shall be limited to the repair or rework of the goods supplied or replacement thereof, at Seller's option, and in no case is to exceed the invoice value of said goods. Under no circumstances will the seller be liable for incidental or consequential damages or for damages incurred by the buyer or subsequent user in repairing or replacing defective goods or if the goods covered by this warranty are reworked or subjected to any type of additional processing.

This warranty is void if Seller is not notified in writing of any rejections or defects within 6 months after the receipt of the material by the customer.

THIS WARRANTY IS MADE IN LIEU OF ALL OTHER WARRANTIES EXPRESSED OR IMPLIED, INCLUDING MERCHANTABILITY.