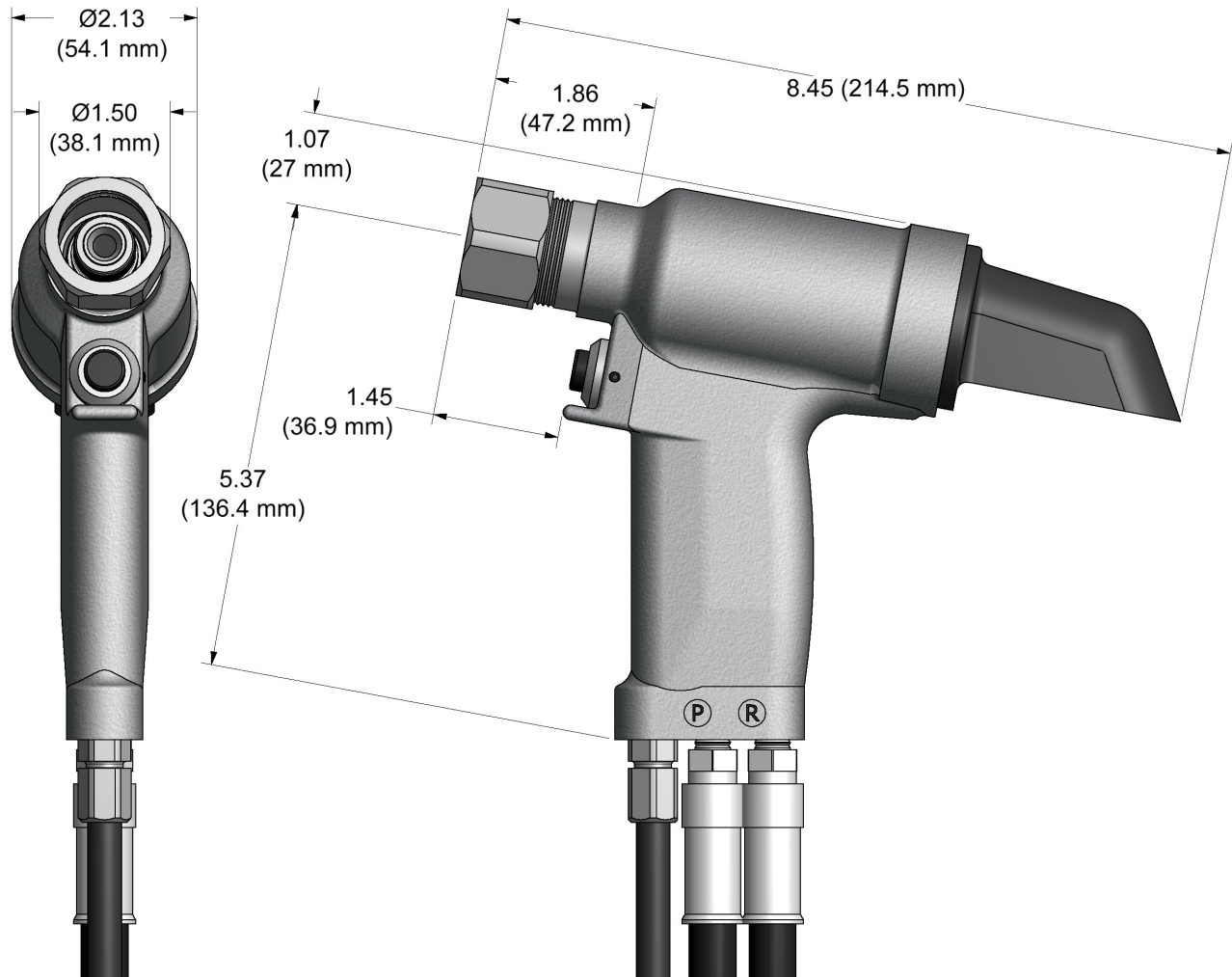


# GB2581 GB2581A

## HYDRAULIC INSTALLATION TOOL



### DESCRIPTION

The GB2581 & GB2581A is a hydraulic installation tool designed specifically for the efficient installation of a wide range of blind, lockbolt and Magna-Grip® fasteners thru 3/8" diameter. It weighs 6.6 lbs. (2.99 kg) and can be operated in any position with one hand. It has a 1.000" (25.4 mm) rivet setting stroke and a rated pull load of 10,700 lbs. (47.59 kN) @ 7,400 psi. (510.2 bar).

The GB2581 installation tool operates on hydraulic pressure developed by the GB940 power unit set at 7,400 psi. (510.2 bar) maximum PULL pressure and 3,200 psi (220.6 bar) maximum RETURN pressure. The tool comes equipped with 12 ft. hoses and electric cord kit complete with quick disconnects.

The GB2581(A) installation tool operates on hydraulic pressure developed by the GB910 Power unit set at 7,400 psi (510.2 bar) maximum PULL pressure and 3,200 psi (220.6 bar) maximum RETURN pressure. The tool comes equipped with 12 feet of hydraulic hoses, couplings, air actuator and tubing.

**NOSE ASSEMBLIES ARE NOT FURNISHED WITH THE RIVETER AND MUST BE ORDERED SEPARATELY.**

**GAGE BILT**  
 **MADE in USA**

44766 Centre Court Clinton Twp. MI 48038 USA  
Ph: +1 (586) 226-1500 Fax: +1 (586) 226-1505  
solutions@gagebilt.com / www.gagebilt.com



# GB2581/GB2581A NOSE ASSEMBLY SELECTION CHART



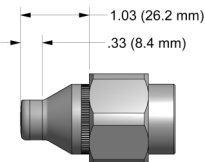
## ACCESSORIES (SOLD SEPARATELY)

## NOSE ASSEMBLIES (SOLD SEPARATELY)

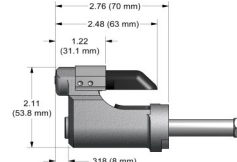
**CATCHER BAG  
#756610**



### STRAIGHT



### OFFSET



| FASTENER  | DIA.                          | STRAIGHT   |  | *OFFSET  |  |
|---|-------------------------------|--|--|--|--|
| ASP®<br>2 ASP & ASP PF<br>ASP FF & ASP F<br>ASP-LC  | 13/64<br>17/64<br>21/64       | ASP06-745B-23<br>ASP08-745B-23<br>ASP10-755-23   | ASP06-745B-48<br>ASP08-745B-48<br>ASP10-755-48               | ASP06-204D-27OS<br>ASP08-204D-27OS<br>ASP10-204D-27OS  | ASP06-204D-37OS<br>ASP08-204D-37OS<br>ASP10-204D-37OS    |
| BOM®<br>BLIND<br>OVERSIZE<br>MANDREL  | 1/4<br>5/16<br>3/8            | BOM08-755-23<br>BOM10-756-26<br>**BOM12-756A-26  |  |  |  |
| COMMERCIAL LOCKBOLTS<br>C6L®<br>AVDELOK®  | 1/4<br>5/16<br>3/8            | NAS06-745B-12<br>NAS06-755-23<br>NAS08-745B-12<br>NAS08-745B-12<br>LB10-745C-26<br>LB12-756-26 | NAS06-755-48<br>NAS08-755-48<br>NAS10-756-26<br>NAS12-756-48 | NAS06-204C-25OS<br>NAS06-204C-34OS<br>NAS08-204C-25OS<br>NAS08-205A-31<br>NAS10-205D-31<br>NAS12-205A-31 | NAS06-204C-30OS<br>NAS08-204D-30OS<br>NAS08-204C-34OS    |
| CONTAINER BOLT  | 3/8                           | HT10-756-23  |  |  |  |
| FLOOR BOLT  | 5/16                          | FT10-353A-28   |  |  |  |
| LGP®<br>LIGHTWEIGHT<br>GROOVE<br>PORPORTION<br>LOCKBOLTS  | 5/32                          | LGP05-2581-12<br>LGP05-2581-48   | LGP05-2581-23  | LGP05-204C-25OS<br>LGP05-204C-34OS   | LGP05-204C-30OS  |
|   | 3/16                          | LGP06-2581-12<br>LGP06-2581-48   | LGP06-2581-23  | LGP06-204C-25OS<br>LGP06-204C-34OS   | LGP06-204C-30OS  |
|   | 7/32                          | LGP07-745B-12<br>LGP07-755-48  | LGP07-755-23   | LGP07-204C-25OS<br>LGP07-204C-34OS   | LGP07-204C-30OS  |
|   | 1/4                           | LGP08-2581-12<br>LGP08-2581-48   | LGP08-2581-23  | LGP08-204C-25OS<br>LGP08-204C-34OS   | LGP08-204D-30OS<br>LGP08-205A-31                         |
|   | 5/16                          | LGP10-2581-12<br>LGP10-2581-48   | LGP10-2581-23  | LGP08-204C-25OS<br>LGP10-205D-31   |  |
| 3/8   | LGP12-745B-12<br>LGP12-756-48 | LGP12-756-26   | LGP12-205A-31  |  |  |
| LOCKBOLT<br>NAS SHEAR PULL TYPE<br>NAS TENSION PULL TYPE<br>& GROOVE PORPORTION<br>NASS = NAS SHEAR<br>NAST = NAS TENSION | 5/32                          | NASS05-755-12<br>NASS05-755-23<br>NASS05-755-48  | NAST05-2581-12<br>NAST05-755-23<br>NAST05-755-48             | NASS05-204C-25OS<br>NASS05-204C-30OS<br>NASS05-204C-34OS   | NAST05-204C-20OS<br>NAST05-204C-30OS<br>NAST05-204C-34OS |
|   | 3/16                          | NAS06-745B-12<br>NAS06-755-48  | NAS06-755-23   | NAS06-204C-25OS<br>NAS06-204C-34OS   | NAS06-204C-30OS  |
|   | 1/4                           | NAS08-745B-12<br>NAS08-755-48  | NAS08-755-23   | NAS08-204C-25<br>NAS08-204C-34   | NAS08-204D-30<br>NAS08-205A-31                           |
|   | 5/16                          | NAS10-745B-12<br>NAS10-756-48  | NAS10-756-26   | NAS10-205D-31  |  |
|   | 3/8                           | NAS12-745B-12<br>NAS12-756-48  | NAS12-756-26   | NAS12-205A-31  |  |
| MULTI-GRIP LOCKBOLT   | 3/16                          | MG06-745-48  |  |  |  |
|   | 1/4                           | MG08-745-48  |  |  |  |
|   | 5/16                          | MG10-756-28  |  |  |  |
|   | 3/8                           | MG12-756-28  |  |  |  |
| MULTI-GRIP STRUCTURAL<br>BLIND RIVET  | 3/8                           | MGL12-353C-28  |  |  |  |
| OVERSIZE<br>STRUCTURAL<br>RIVET   | 1/4                           | OS08-745-48  |  |  |  |
|   | 5/16                          | OS10-756-26  | OS10-756-48  |  |  |
|   | 3/8                           | OS12-756A-26   | OS12-756A-48   |  |  |
| BLIND BOLT (SINGLE ACTION)<br>WITH OR W/OUT DRIVE WASHER  | 5/32                          | SB05-745C-23   | SB05-745C-48   | SB05-204D-27OS   | SB05-204D-37OS   |
|   | 3/16                          | SB06-745B-23   | SB06-745B-48   | SB06-204D-27OS   | SB06-204D-37OS   |
|   | 1/4                           | SB08-755-23  | SB08-755-48  | SB08-204D-27OS   | SB08-204D-37OS   |
|   | 5/16                          | SB10-756-28  | SB10-756-48  | SB08-205A-35<br>SB10-205A-35   |  |
| 3/8   | SB12-756-28                   | SB12-756-48  | SB12-205A-35   |  |  |
| BLIND BOLT (SINGLE ACTION)<br>WITH DRIVE WASHER   | 5/32                          | UBB05-745C-23  | UBB05-745C-48  | UBB05-204D-27OS  | UBB05-204D-37OS  |
|   | 3/16                          | UBB06-745B-23  | UBB06-745B-48  | UBB06-204D-27OS  | UBB06-204D-37OS  |
|   | 1/4                           | UBB08-755-23   | UBB08-755-48   | UBB08-204D-27OS  | UBB08-204D-37OS  |
|   | 5/16                          | UBB10-756-28   | UBB10-756-48   | UBB08-205A-35<br>UBB10-205A-35   |  |
|   | 3/8                           | UBB12-756-28   | UBB12-756-48   | UBB12-205A-35  |  |

ASP®, BOM®, C6L®, AND LGP® ARE REGISTERED TRADEMARKS OF ALCOA INC. AVDELOK® IS A REGISTERED TRADEMARK OF AVDEL UK LIMITED.

### GAGE BILT CERTIFIES THE GB2581 WILL INSTALL THE ABOVE FASTENERS

\*ALL OFFSET 204 SERIES NOSES REQUIRE 353204 ADAPTER WITH 258152 STROKE LIMITER AND 258157 RELIEF VALVE.

\*ALL OFFSET 205 SERIES NOSES REQUIRE 353205 ADAPTER WITH 258153 STROKE LIMITER AND 258156 RELIEF VALVE.

\*\* Repair Only

NOTE: THE LAST 2 DIGITS OF THE NOSE ASSEMBLY REPRESENTS THE LENGTH THE NOSE EXTENDS FROM THE TOOL I.E. -20 = 2.0 INCHES