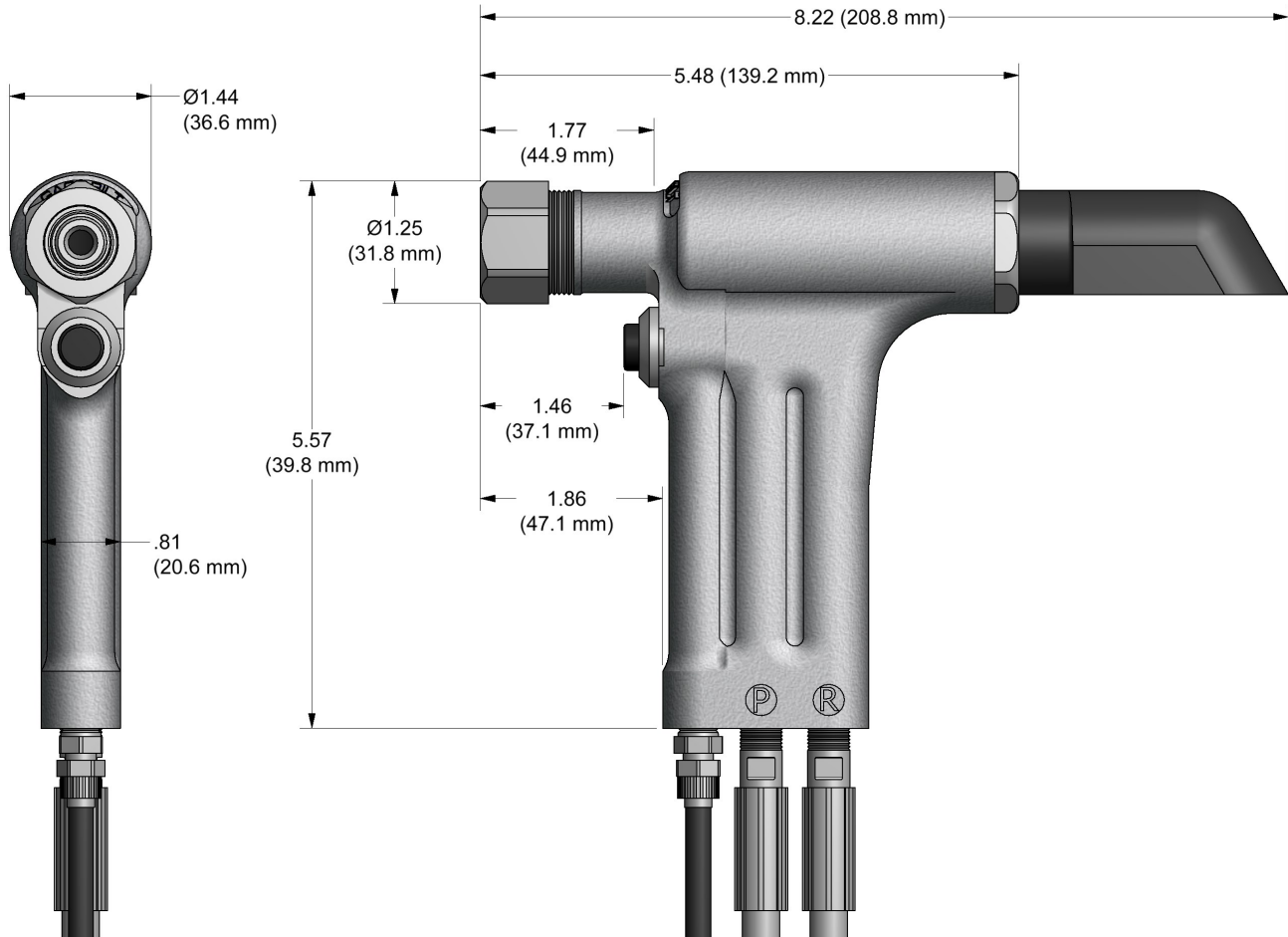


GB2480 GB2480A

HYDRAULIC INSTALLATION TOOL



DESCRIPTION

The GB2480 & GB2480(A) are a hydraulic installation tool designed specifically for the efficient installation of blind fasteners, lock-bolts and Multi-Grip fasteners thru 1/4" diameter. It weighs just over 3 lbs. (1.59 kg) and can be operated in any position. It has an .875" (22.2 mm) rivet setting stroke and rated pull load of 5,600 lbs. (24.91 kN).

The GB2480 (electric actuated) installation tool operates on hydraulic pressure developed by the GB940 Powerunit set at 8,400 psi (579.1 bar) max PULL pressure and 3,200 psi (220.6 bar) max RETURN pressure. The tool comes equipped with 12 ft. (3.65 m) hydraulic hoses and couplings, electric switch and cord.

The GB2480(A) (air actuated) installation tool operates on hydraulic pressure developed by the GB910 & GB912 Powerunits set at 8,400 psi (579.1 bar) max PULL pressure and 3,200 psi (220.6 bar) max RETURN pressure. The tool comes equipped with 12 ft. (3.65 m) hydraulic hoses and couplings, air actuator and tubing.

NOSE ASSEMBLIES ARE NOT FURNISHED WITH THE RIVETER AND MUST BE ORDERED SEPARATELY.

GAGE BILT
 **MADE in USA**

44766 Centre Court Clinton Twp. MI 48038 USA
Ph: +1 (586) 226-1500 Fax: +1 (586) 226-1505
solutions@gagebilt.com / www.gagebilt.com



ACCESSORIES

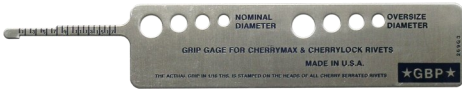


Catcher Bag-Stem #756610 (Sold Separately)



Grip Gage #269G3 (Similar to #269C3)

For CHERRYMAX® and CHERRYLOCK® rivets
(Sold Separately)

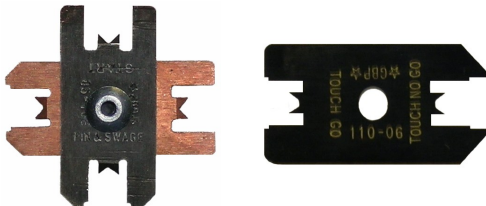


Grip Gage #GB105093 (Equivalent to #105093)

For NAS LOCKBOLTS and blind fasteners
(Sold Separately)



Gage Bilt also supplies pin & collar
swage inspection gages to certify swage
installation.
(Sold Separately)

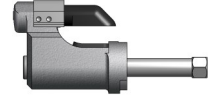
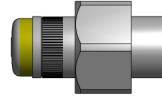


NOSE ASSEMBLY SELECTION CHART

STRAIGHT
(Sold Separately)

RIGHT ANGLE
(Sold Separately)

OFFSET
(Sold Separately)



FASTENER	DIA.	STRAIGHT	*RIGHT ANGLE 1	OFFSET 3	
LGP® Lightweight Proportion LOCKBOLT	5/32 3/16 7/32 1/4	LGP05-2480-10 LGP05-2480-45 LGP06-2480-10 LGP06-2480-45 LGP07-731-10 LGP07-731-45 LGP08-2480-10 LGP08-2480-45	LGP05-2480-20 LGP06-2480-20 LGP07-731-20 LGP08-2480-20		LGP05-204C-250S LGP05-204C-340S LGP06-204C-250S LGP06-204C-340S LGP07-204C-250S LGP07-204C-340S LGP08-204C-250S LGP08-204C-340S
LOCKBOLT, NAS SHEAR PULL TYPE, NAS TENSION PULL TYPE, NASS = SHEAR & GP® NAST = TENSION	5/32 3/16 1/4	NASS05-731-10 NASS05-2480-20 NASS05-2480-45 NAS06-730B-10 NAS06-2480-45 NAS08-730B-10 NAS08-2480-45	NAST05-730B-20 NAST05-2480-20 NAST05-2480-45 NAS06-2480-20 NAS08-2480-20		NASS05-204C-250S NASS05-204C-300S NAST05-204C-300S NAS06-204C-250S NAS06-204C-340S NAS08-204C-250S NAS08-204C-340S
COMMERCIAL LOCKBOLTS	3/16 1/4	LB06-722-20 LB08-722-20			NAS06-204C-250S NAS08-204C-250S
MULTI-GRIP LOCKBOLTS	3/16 1/4	MG06-713-60CN MG08-722-20	MG06-722-60 MG08-722-60		
BLIND BOLT (SINGLE ACTION) WITH OR W/OUT DRIVE WASHER	1/8 5/32	SB04-752C-20 SB05-752C-20 SB05-752C-80	SB04-752C-45 SB05-752C-45	SB04-751C-54RA SB05-751C-54RA	SB04-752B-430S SB05-752A-430S
MS90353S & U / MS90354S & U MS2140S & U / MS2141S & U MAXI-BOLT® BACB30YY, YU, & YT	3/16 1/4	SB06-752B-20 SB06-752B-80 SB08-713-20	SB06-752B-45	SB06-751B-54RA	SB06-204D-270S
BLIND BOLT (SINGLE ACTION) WITH DRIVE WASHER	1/8 5/32	UBB04-752C-20 UBB05-752C-20 UBB05-752C-80	UBB04-752C-45 UBB05-752C-45	UBB04-751C-54RA UBB05-751C-54RA	UBB04-752B-430S UBB05-752B-430S
MS90353S & U / MS90354S & U MS2140S & U / MS2141S & U CR7000 SERIES, BACB30YY, YU, & YT	3/16 1/4	UBB06-752B-20 UBB06-752B-80 UBB08-713-20	UBB06-752B-45	UBB06-751B-54RA	UBB06-204D-270S
EN6122 & UAB130-EJ EN6127 & UAB127-EJ EN6128 & UAB100-EJ EN6129 & UABP-EJ	5/32 3/16 1/4	UAB568-713-21	UAB568-713-61	UBB06-751B-54RA	UBB06-752A-430S
BLIND RIVET (SINGLE ACTION) WITH OR W/OUT DRIVE WASHER	1/8 5/32 3/16 1/4	SMLS04-752C-20 SMLS05-752C-20 SMLS06-752B-20 SML S08-713-20	SMLS04-752C-45 SMLS05-752C-45 SMLS06-752B-45 SMLS08-713-45	SMLS04-751C-54RA SMLS05-751C-54RA SMLS06-751C-54RA SMLS08-713B-58RA	SMLS04-752B-430S SMLS05-752B-430S SMLS06-752B-430S SMLS08-752B-430S
UNIMATIC® SINGLE ACTION NAS1919S & UNAS1921S & U "U" TYPE BLIND BOLT WITH DRIVE WASHER	1/8 5/32 3/16 1/4	UBR04-752C-20 UBR05-752C-20 UBR06-752B-20 UBR08-713-20	UBR04-752C-45 UBR05-752C-45 UBR06-752B-45 UBR08-713-45	UBR04-751C-54RA UBR05-751C-54RA UBR06-751C-54RA UBR08-713B-58RA	UBR04-752B-430S UBR05-752B-430S UBR06-752B-430S UBR08-752B-430S
"A" CODE NAS1398A & NAS1399A	3/32 1/8 5/32 3/16 1/4	3A-352B-25 4A-752C-20 5A-752C-20 6A-752B-20 SMLS08-713-20	4A-752C-45 5A-752C-45 6A-752B-45	3A-751C-54RA 4A-751C-54RA 5A-751C-54RA 6A-751C-54RA	4A-752B-430S 5A-752B-430S 6A-752B-430S SMLS08-204D-270S
TRIVET®	3/16 1/4	6T-752A-21 8T-752A-21	6T-752A-61 8T-752A-61		
PROTRUDING HEAD, MULTI-GRIP BLIND RIVETS	3/16 1/4	MGL06-752A-21 MGL08-752A-21	MGL06-752A-61 MGL08-752A-61	MGL06-751C-54RA	
MONOBOLT®	3/16 1/4	MB06-752A-21 MB08-752A-21	MB06-752A-61 MB08-752A-61	MB06-751C-54RA	
CONTAINER BOLT (R 12) HLFP, HLRA, HLPE, HLPS HLPS & HLPSM	3/8	HT12-713-20			
TLR® RIVET	1/4	8TLR-352-21	8TLR-352-60		
CHERRYMAX®, CHERRYMAX® 'AB', BACR15FR/FP, BACR15GF/GK, NAS1900 S & U SERIES BLIND RIVET WITH DRIVE WASHER	1/8 5/32 3/16 1/4	456MAX-751-23 456MAX-751A-61 08MAX-752B-20	456MAX-751A-61 08MAX-752B-45	456MAX-751D-54RA 08MAX-713A-58RA	456MAX-731-430S 08MAX-204D-270S 08MAX-204D-370S
ASP® ASP 2, ASP PF, ASP 4 FF, ASP 2 F, ASP 2 LC	13/64 17/64 21/64	ASP06-752C-20 ASP08-752B-20 ASP10-713-20	ASP06-752C-45 ASP08-752B-45 ASP10-730-45	ASP06-751B-54RA	ASP06-752B-430S ASP08-752B-430S ASP10-204D-270S ASP10-204D-370S
STANDARD MBO® NAS1719, NAS1720 NAS1721	1/8 5/32 3/16	MBC04-752C-20 MBC05-752C-20 MBC06-752B-20	MBC04-752C-45 MBC05-752C-45 MBC06-75B-45	MBC04-751C-54RA MBC05-751C-54RA MBC06-751C-54RA	MBC04-752C-430S MBC05-752C-430S MBC06-752C-430S
MBO® LOCK CREATOR NAS1719(X)(L), NAS1720(X)(L) NAS1721(X)(L)	1/8 5/32 3/16	456MAX-751-23 456MAX-751A-61	456MAX-751A-61	456MAX-751D-54RA	456MAX-731-430S
GROUND STUD, M83454 & BAC553B s	8/32 10/32	GS8-752C-20 GS10-752C-20	GS8-752C-45 GS10-752C-45	GS8-751C-54RA GS10-752A-54RA	GS8-751A-430S GS10-751A-430S
OPEN END, CLOSED END, CSUNK, PROTRUDING HEAD COMMERCIAL NAIL RIVETS	3/32 1/8 5/32 3/16	3N-751-23 4N-751-23 5N-751-23 6N-751-23	3N-352-61 4N-352-61 5N-352-61 6N-352-61	3N-751B-54RA 4N-751B-54RA 5N-751B-54RA 6N-751C-54RA	3N-751-430S 4N-751-430S 5N-751-430S 6N-751-430S

UNIMATIC®, LGP®, GP®, BOM®, AND ASP® ARE REGISTERED TRADEMARKS OF ARCONIC INC. MONOBOLT® AND TLR® ARE REGISTERED TRADEMARKS OF AVDEL UK LIMITED. TRIVET®, CHERRYMAX®, MAXI-BOLT®, AND MBO® ARE REGISTERED TRADEMARKS OF CHERRY AEROSPACE.

GAGE BILT CERTIFIES THE GB2480(A) TOOL WILL INSTALL THE ABOVE FASTENERS

*REDUCING POWER UNIT PRESSURE TO 3500PSI IS RECOMMENDED.
1) RIGHT ANGLE NOSES REQUIRE 248153 STROKE LIMITER & 248155 RELIEF VALVE.
2) INSTALLS 1/8", 5/32" AND 3/16" DIAMETERS.
3) OFFSET NOSES REQUIRE 751204 ADAPTER AND 248152 STROKE LIMITER & 248154 RELIEF VALVE.
4) INSTALLS 5/32", 3/16" AND 1/4" DIAMETERS.
5) BACS53B -10 ONLY

NOTE: THE LAST 2 DIGITS OF THE NOSE ASSEMBLY REPRESENTS THE LENGTH THE NOSE
EXTENDS FROM THE TOOL. I.E. -20 = 2.0 INCHES