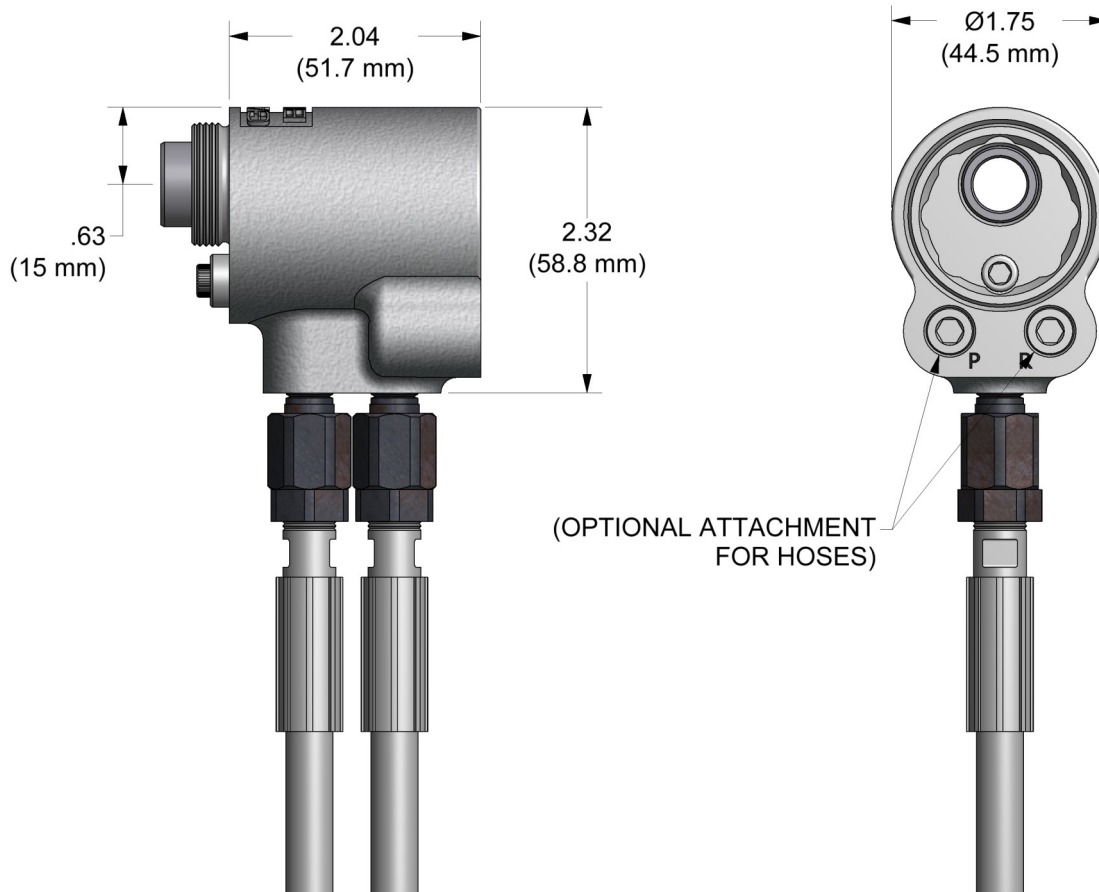


GB204 GB204A

HYDRAULIC INSTALLATION TOOL



DESCRIPTION

Covered under Patent No. 5,371,933

The GB204 and the GB204(A) are hydraulic installation tools designed specifically for the efficient installation of blind fasteners and lockbolt fasteners thru 1/4" diameter. It weighs just over 3 lbs. (1.36 kg) and can be operated in any position. It is shipped with a .500" (12.7mm) rivet setting stroke, that can be changed to stroke .375" (9.53mm) for special applications, and has a rated pull load of 10,000 lbs (44.5 kN).

The GB204 (electric actuated) installation tool operates on hydraulic pressure developed by the GB940 Powerunit set at 5,600 psi (386.1 bar) PULL pressure and 2,400 psi (165.5 bar) RETURN pressure. The tool comes equipped with 12 feet (3.65 m) of hydraulic hoses and couplings, electric switch and cord.

The GB204(A) (air actuated) installation tool operates on hydraulic pressure developed by the GB910 & GB912 Powerunits set at 5,600 psi (386.1 bar) maximum PULL pressure and 2,400 psi (165.5 bar) maximum RETURN pressure. The tool comes equipped with 12 feet (3.65 m) of hydraulic hoses and couplings, air actuator and tube.

**ALL GAGE BILT HYDRAULIC INSTALLATION TOOLS ARE COMPATIBLE WITH HUCK® POWERUNITS.
NOSE ASSEMBLIES ARE NOT FURNISHED WITH THESE TOOLS AND MUST BE ORDERED SEPARATELY.**

GAGE BILT
MADE in USA

44766 Centre Court Clinton Twp. MI 48038 USA
Ph: +1 (586) 226-1500 Fax: +1 (586) 226-1505
solutions@gagebilt.com / www.gagebilt.com



ACCESSORIES



Relief Valve

#206110

When a reduced stroke to .375" (9.5 mm) is required. See Chart.
(Sold Separately)



Stroke Limiter

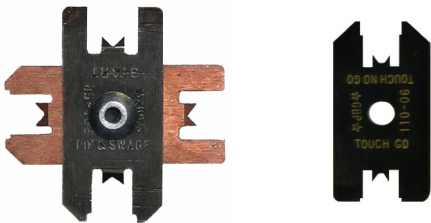
#206112

Required with 206110 relief valve to reduce stroke to .375" (9.5 mm). See Chart.
(Sold Separately)



Grip Gage #GB105093 (Equivalent to #105093)

For NAS LOCKBOLTS and blind fasteners
(Sold Separately)



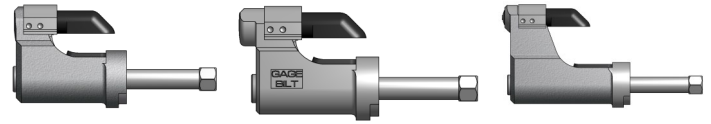
Gage Bilt also supplies pin & collar swage inspection gages to certify correct swage installation
(Sold Separately)

GB204/204A NOSE ASSEMBLY SELECTION CHART

STANDARD
(Sold Separately)

STRADDLE NOSE
(Sold Separately)

LONG
(Sold Separately)



FASTENER	DIA.	STANDARD	STRADDLE NOSE 1	LONG
NAS and GP® SHEAR/TENSION LOCKBOLTS BACB30TY BACB30UA BACB30TZ BACB30UB BACB30DY BACB30GX BACB30DX BACB30GP BACB30GO BACB30GY BACB30GW	5/32" 3/16" 1/4"	NAST05-204C-250 NASS05-204C-250 NAS06-204C-250S NAS08-204C-250S	NAST05-204C-300 NASS05-204C-300 NAS06-204D-300S NAS08-204D-300S	NAST05-204C-340 NASS05-204C-340 NAS06-204C-340S NAS08-204C-340S
MGP®	4mm 5mm	MGP4-204C-250S MGP5-204C-250S	MGP4-204C-300S MGP5-204D-300S	MGP4-204C-340S MGP5-204C-340S
LGP® LOCKBOLT LGFL2SC-V BACB30VM LGFL18SC-V BACB30XT LGFL4SC-V ABS0548 LGFL2SP-V BACB30VN LGFL4SP-V ASNA2392 LGFL8SC-V BACB30WD LGFL9SC-V BACB30WB LGFL9SP-V BACB30VY BACB31N BACB31P	5/32" 3/16" 7/32" 1/4"	LGP05-204C-250S LGP06-204C-250S LGP07-204C-250S LGP08-204C-250S	LGP05-204C-300S LGP06-204D-300S LGP07-204D-300S LGP08-204D-300S	LGP05-204C-340S LGP06-204C-340S LGP07-204C-340S LGP08-204C-340S
MLGP®	4mm 5mm 6mm	MLGP4-204C-250S MLGP5-204C-250S MLGP6-204C-250S	MLGP4-204C-300S MLGP5-204D-300S	MLGP4-204C-340S MLGP5-204C-340S MLGP6-204C-340S
BLIND RIVET (SINGLE ACTION) WITH OR W/OUT DRIVE WASHER NAS1900 S & U SERIES	1/8" 5/32" 3/16" 1/4"	SMLS04-204D-270S SMLS05-204D-270S SMLS06-204D-270S SMLS08-204D-270S		SMLS04-204D-370S SMLS05-204D-370S SMLS06-204D-370S SMLS08-204D-370S
BLIND BOLT (SINGLE ACTION) WITH OR W/OUT DRIVE WASHER MS90353S & U / MS90354S & U MS21140S & U / MS21141S & U CR7000 SERIES, BACB30YY, YU, & YT	5/32" 3/16" 1/4"	SB05-204D-270S SB06-204D-270S SB08-204D-270S		SB05-204D-370S SB06-204D-370S SB08-204D-370S
BACR15FR/FP, BACR15GF/GK, NAS1900 S & U SERIES BLIND RIVET WITH DRIVE WASHER NAS9301-9312	1/4"	08MAX-204D-270S		08MAX-204D-370S
"A" CODE NAS1398A & NAS1399A	1/8" 5/32" 3/16" 1/4"	4A-204D-270S 5A-204D-270S 6A-204D-270S SMLS08-204D-270S		4A-204D-370S 5A-204D-370S 6A-204D-370S SMLS08-204D-370S
ASP® ASP 2, ASP PF, ASP 4 FF, ASP 2 F, ASP 2 LC	13/64" 17/64" 21/64"	ASP06-204D-270S ASP08-204D-270S ASP10-204D-270S		ASP06-204D-370S ASP08-204D-370S ASP10-204D-370S
NAS1719, NAS1720, NAS1721 & MBC®	1/8" 5/32" 3/16"	MBC04-204D-270S MBC05-204D-270S MBC06-204D-270S		MBC04-204D-370S MBC05-204D-370S MBC06-204D-370S
GROUND STUD, BACS53B 2	13/64" 17/64"	GS8-204D-320S GS10-204D-320S		GS8-204D-420S GS10-204D-420S

HUCK®, GP®, MGP®, LGP®, MLGP®, AND ASP® ARE REGISTERED TRADEMARKS OF ARCONIC INC. MBC® IS A REGISTERED TRADEMARK OF CHERRY AEROSPACE.

GAGE BILT CERTIFIES THE GB204 WILL INSTALL THE ABOVE FASTENERS

1) -30 STRADDLE NOSES ARE DESIGNED TO REACH OVER THE COLLAR.
*TO REDUCE STROKE TO .375 RELIEF VALVE (206110) AND STROKE LIMITER (206112) ARE AVAILABLE.
2) BACS53B -10 ONLY

NOTE: THE LAST 2 DIGITS OF THE NOSE ASSEMBLY REPRESENTS THE LENGTH THE NOSE ASSEMBLY EXTENDS FROM THE TOOL. (I.e. -25 = 2.5 inches)