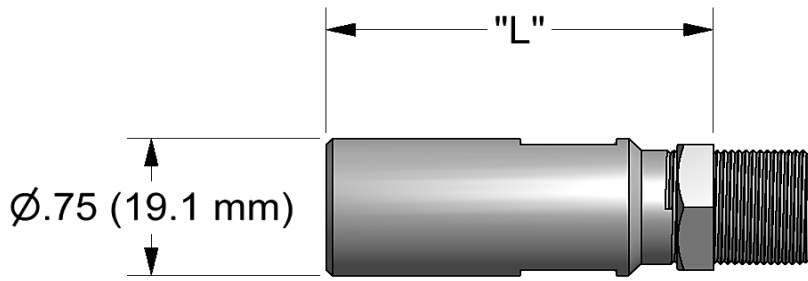
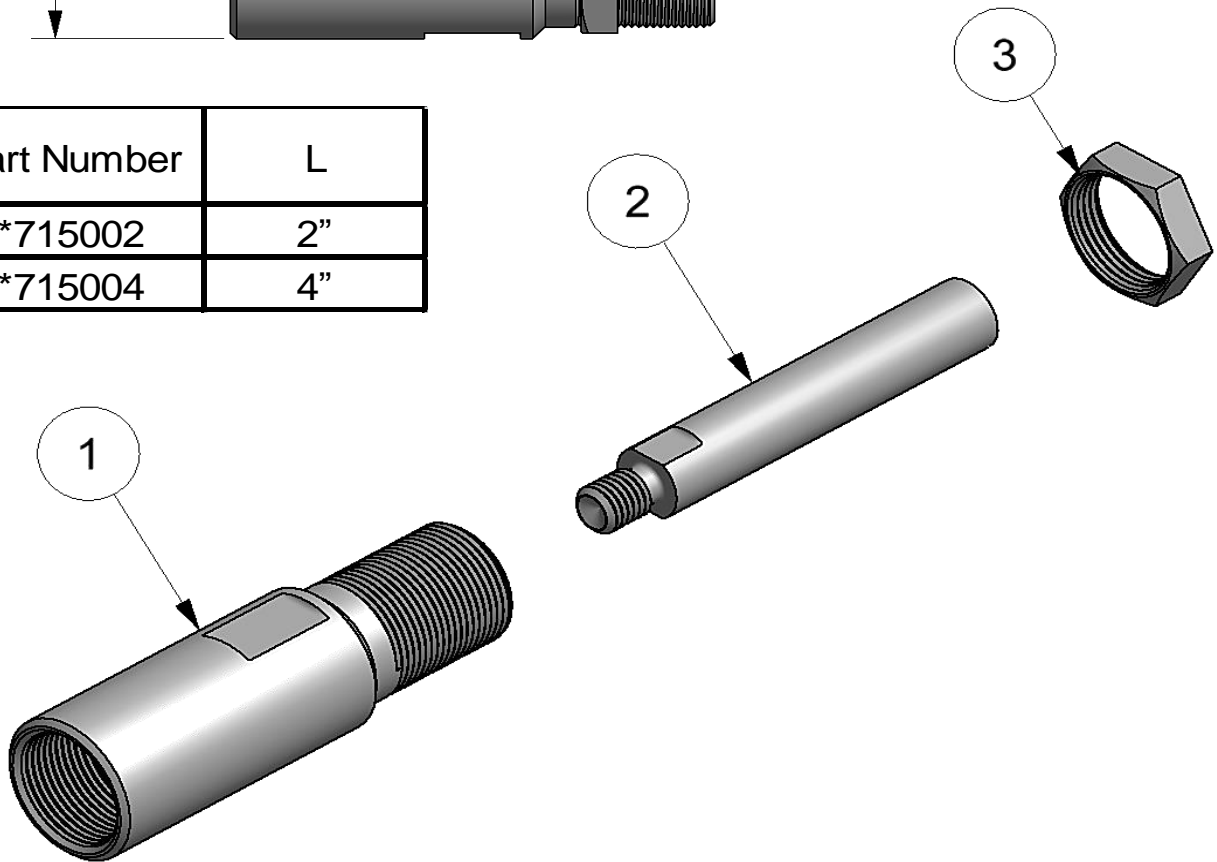


715002 EXTENSION DATA SHEET



Part Number	L
*715002	2"
*715004	4"



12/97 REV. 6/18

GAGE BILT
MADE in USA

44766 Centre Court Clinton Twp. MI 48038 USA
Ph: +1 (586) 226-1500 Fax: +1 (586) 226-1505
solutions@gagebilt.com / www.gagebilt.com

Type:		Recommended Tool: GB715		
Extension		Alt. Tools: GB50 & GB51		
Ref. No.	Qty.	Description	715002	715004
1	1	Extension Sleeve	715010	70438
2	1	Extension Spindle	715011	70440
3	1	Locknut	70411	70411