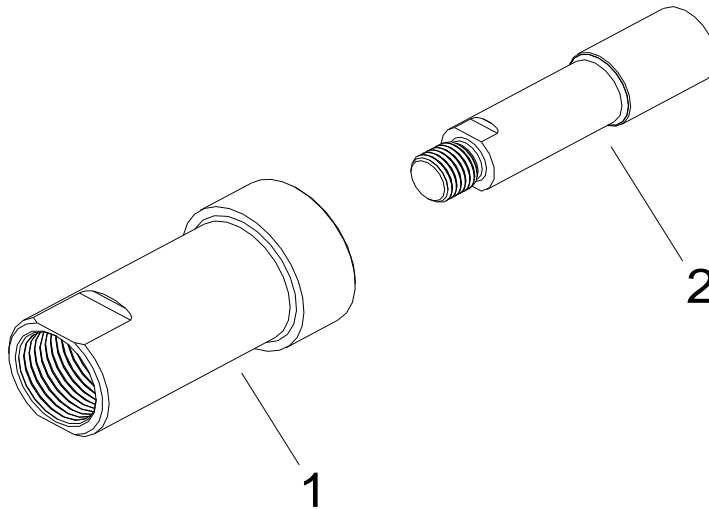
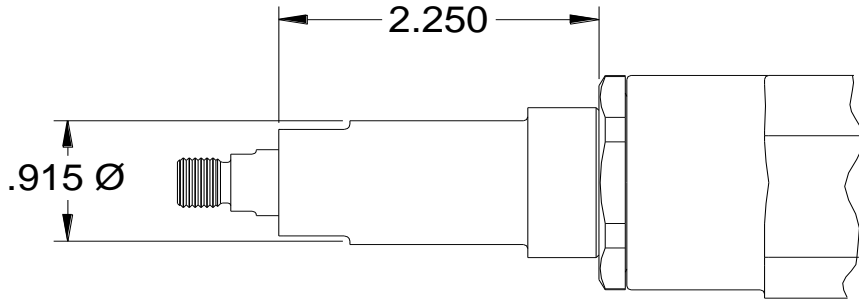


784704 ADAPTER DATA SHEET



11/14 REV 7/15

GAGE BILT

GAGE BILT Inc.

44766 Centre Court (586) 226-1500
 Clinton Twp., MI 48038 (586) 226-1505 Fax
 e-mail:solutions@gagebilt.com / www.gagebilt.com

Type:

Adapter

Adapts 456MAX-749-35, 456MAX-704-54RA,
 456MAX-704-40OS, & 456MAX-704-43OS Nose
 Assemblies to: GB784 Installation Tool

Ref. No.	Qty.	Description	784704
1	1	Anvil Adapter	704009
2	1	Collet Adapter	704010