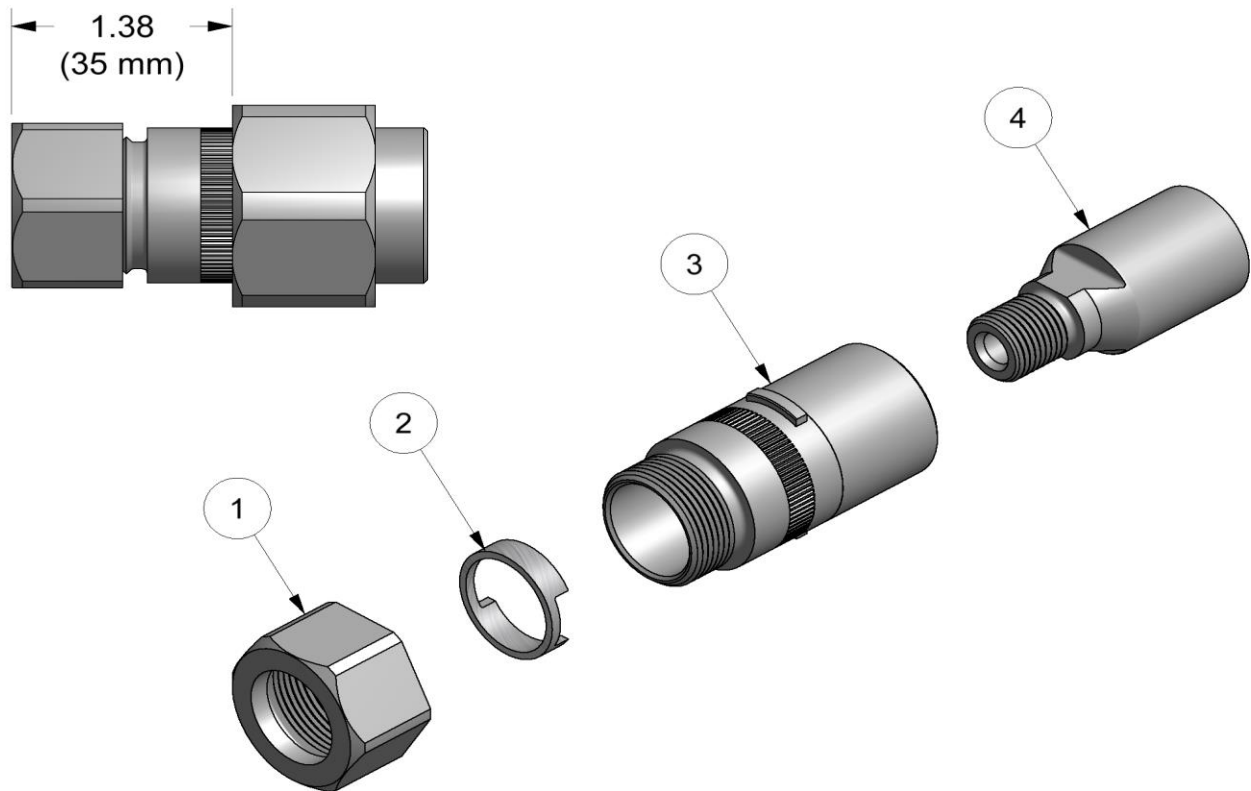


745751 ADAPTER DATA SHEET



Assembly Instructions:

1. Assemble extension (3), and anvil adapter (4) to installation tool using the same procedure as assembling a nose assembly onto an installation tool.
2. Assemble nose assembly to adapter using same procedure as assembling a nose assembly to an installation tool, the retaining nut stop (2) and nut (1) are used to hold the nose assembly anvil to the anvil adapter (4)

3/05

GAGE BILT
MADE in USA

44766 Centre Court Clinton Twp. MI 48038 USA
Ph: +1 (586) 226-1500 Fax: +1 (586) 226-1505
solutions@gagebilt.com / www.gagebilt.com

Type:		Adapts 3/4" diameter nose assemblies to: GB745, GB756 and GB2581(A) installation tools	
Rotatable Nose Assembly Adapter			
Ref. No.	Qty.	Description	745751
1	1	Nut	211102
2	1	Retaining Nut Stop	240102
3	1	Anvil Adapter	71033
4	1	Extension	70836