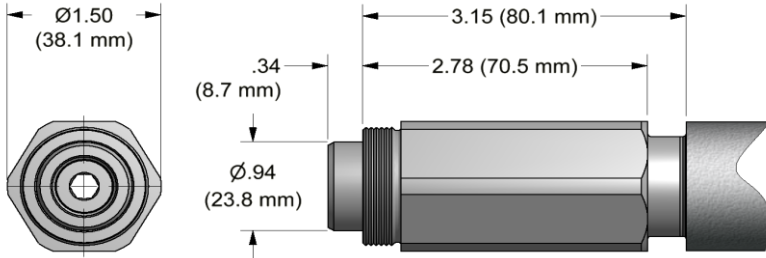


745208 ADAPTER DATA SHEET

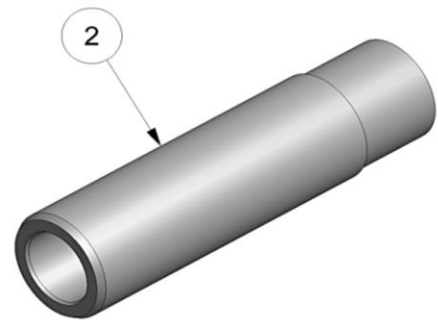
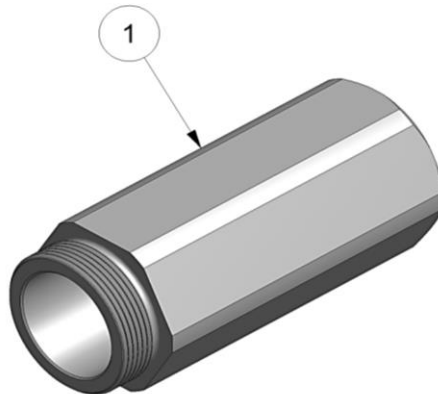


CAUTION
Pintail may eject forcibly.
Used for closed access applications
only to prevent severe personal injury!

To remove adapter and nose from tool
reverse assembly instructions

To attach adapter and nose to tool:

1. Thread adapter-drawbar assy (2) onto head piston
2. With collet placed in nose assembly anvil, tighten both onto adapter-anvil (1).
3. Screw adapter-drawbar assy (2) onto head piston of tool. Slide adapter-anvil (1) over adapter-drawbar assy (2) and lock into place on tool. Slide drawbar assy into nose assembly thru adapter-anvil.
4. Using 1/4" allen wrench on front of nose assembly drawbar tighten drawbar into adapter-drawbar assy (2).



3/15 Rev. 2/17

GAGE BILT

GAGE BILT, INC.

44766 Centre Court (586) 226-1500
Clinton Twp., MI 48038 (586) 226-1505 Fax
e-mail:solutions@gagebilt.com / www.gagebilt.com

| Type: | | Adapts GB208 Series Nose Assemblies to: GB745, GB756 or GB2581 Installation Tool. | |
|------------------------------|------|--|--------|
| Offset Nose Assembly Adapter | | | |
| Ref. No. | Qty. | Description | 745208 |
| 1 | 1 | Adapter-Anvil | 745218 |
| 2 | 1 | Adapter-Drawbar Assy | 745220 |