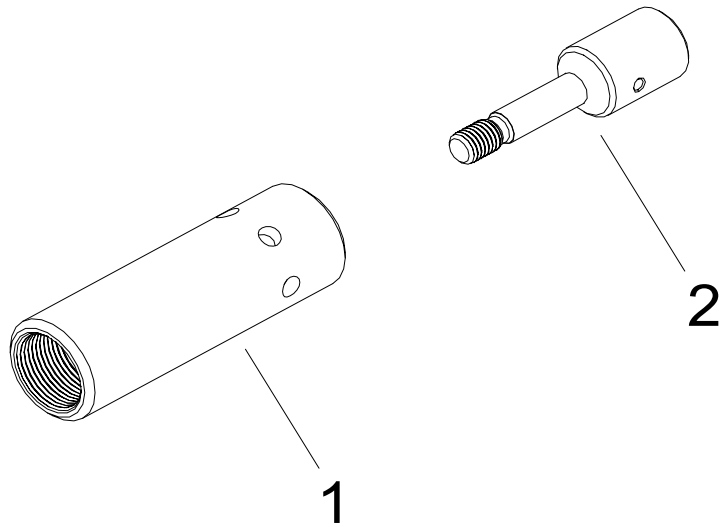
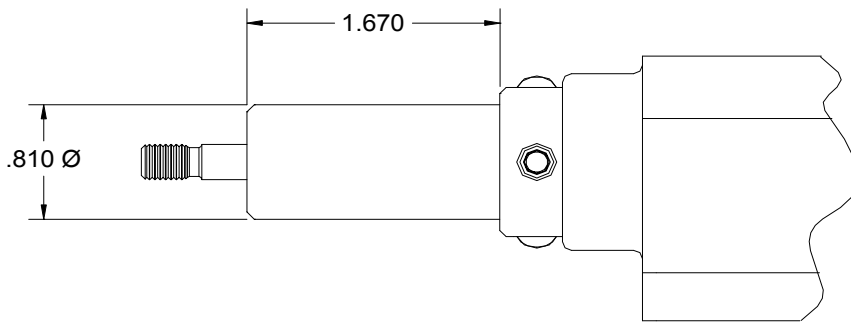


740715 ADAPTER DATA SHEET



Rev. 1/03

GAGE BILT

GAGE BILT Inc.

44766 Centre Court (586) 226-1500
 Clinton Twp., MI 48038 (586) 226-1505 Fax
 e-mail:solutions@gagebilt.com / www.gagebilt.com

Type:

Adapter

Adapts GB715 Series Nose Assemblies to:
 GB740 Installation Tool

Ref. No.	Qty.	Description	740715
1	1	Anvil Adapter	70629
2	1	Drawbolt	70630