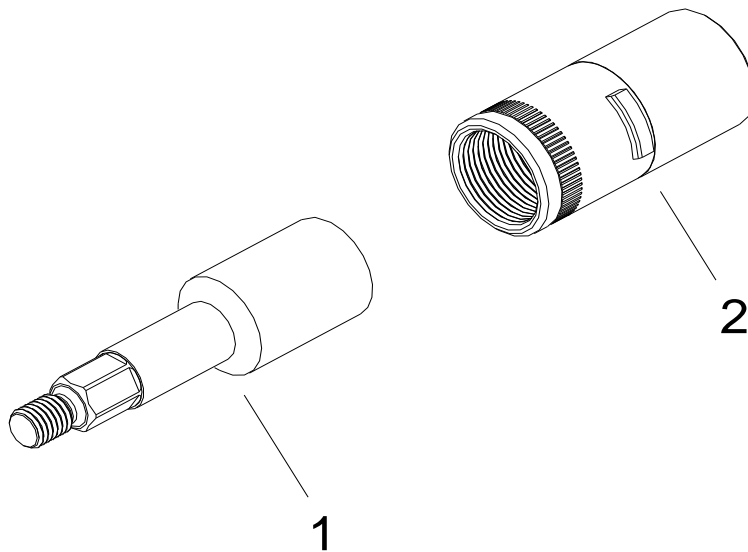
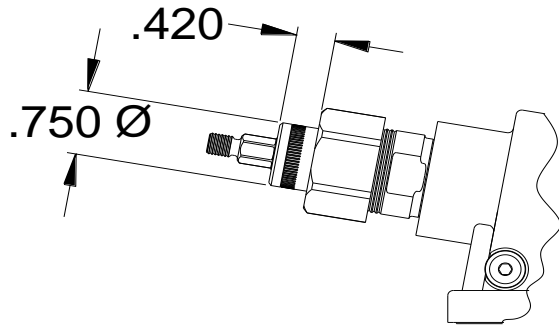


730715 ADAPTER DATA SHEET



Rev. 12/13

GAGE BILT

GAGE BILT Inc.

44766 Centre Court (586) 226-1500
 Clinton Twp., MI 48038 (586) 226-1505 Fax
 e-mail: solutions@gagebilt.com / www.gagebilt.com

Type:		Adapts GB715 Series Nose Assemblies to: GAGE BILT GB752, GB730, GB713, GBP712C & GB2480 tools. Huck® model 202, 2015, 244, 2400 & 2480 tools. Cherry® G83 & G84 tools.	
Adapter			
Ref. No.	Qty.	Description	730715
1	1	Spindle Adapter	730714
2	1	Anvil Adapter	730713