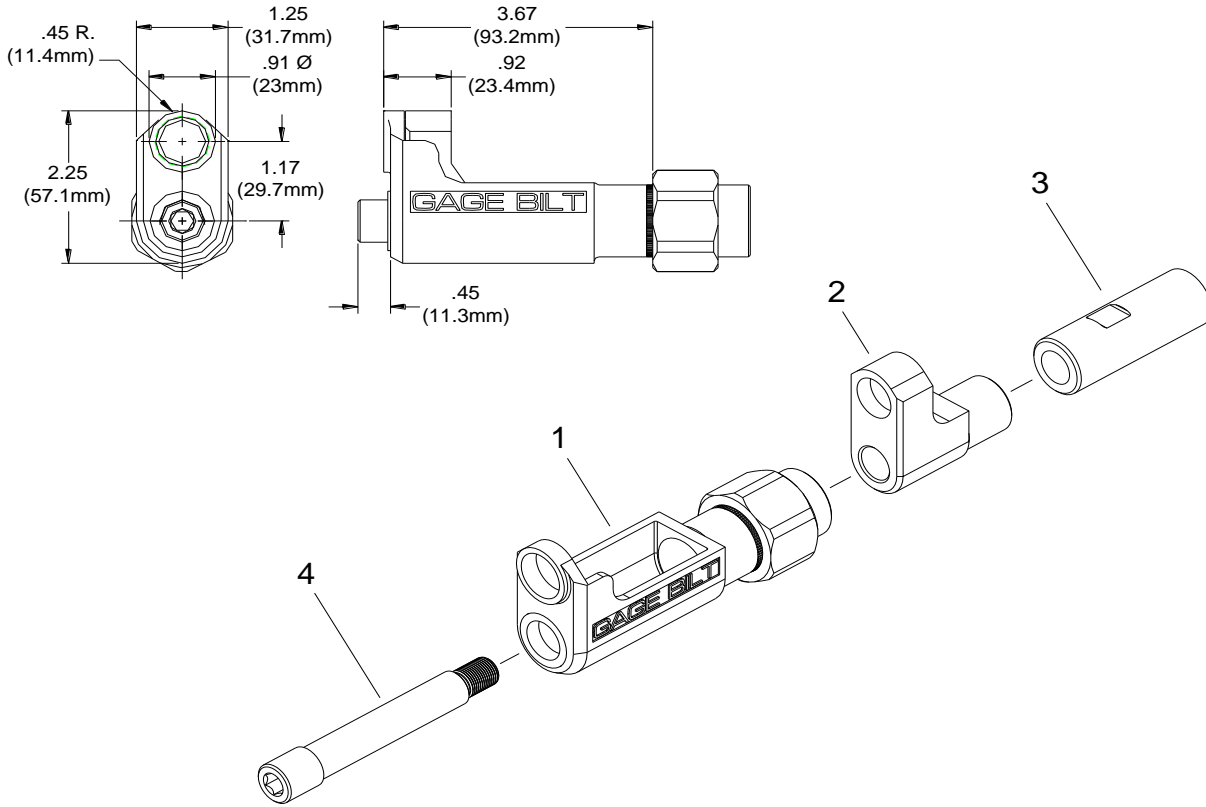


353209 ADAPTER DATA SHEET



Assembly Instructions:

1. Insert collet (2) and collet adapter (3) inside anvil assembly (1).
2. Slide drawbar (4) thru front of anvil assembly (1), collet (2) and thread into collet adapter (3) until sit stops.
3. Tighten securely using hex on front of drawbar (4) and flats on collet adapter (3).
4. Insert assembled adapter assembly into nose fitting of installation tool and tighten securely onto piston using hex on front of drawbar (4) and hex in rear of piston. Tighten nut on anvil assembly securely onto nose fitting of installation tool.



8/11

GAGE BILT
MADE in USA

44766 Centre Court Clinton Twp. MI 48038 USA
Ph: +1 (586) 226-1500 Fax: +1 (586) 226-1505
solutions@gagebilt.com / www.gagebilt.com

Type:		Adapts 209 series nose assemblies to: GB745 and GB2581 installation tools	
Rotatable Nose Assembly Adapter			
Ref. No.	Qty.	Description	353209
1	1	Anvil Assembly	353210
2	1	Collet	353211
3	1	Collet Adapter	353213
4	1	Drawbar	353212