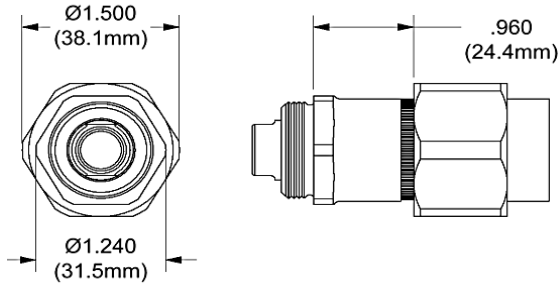


# 353206 ADAPTER DATA SHEET



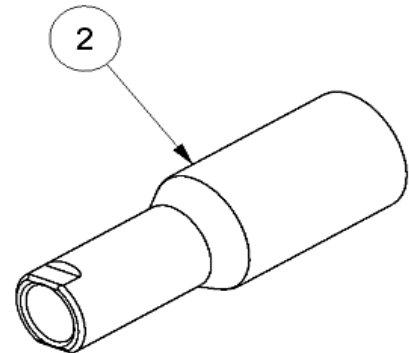
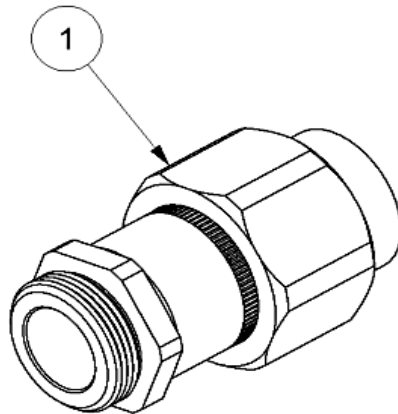
## CAUTION

Pintail may eject forcibly.  
Used for closed access applications  
only to prevent severe personal injury!

To remove adapter and nose from tool  
reverse assembly instructions

To attach adapter and nose to tool:

1. Thread collet adapter (2) onto head piston.
2. With collet placed in nose assembly anvil, tighten both onto anvil adapter assembly (1).
3. Slide anvil adapter (1) over collet adapter (2) and lock into place on tool. Slide drawbar into nose assembly thru adapter assembly.
4. Using 1/4" allen wrench on front of nose assembly drawbar tighten drawbar into collet adapter (2).



9/10 REV 4/14

## GAGE BILT

### GAGE BILT, INC.

44766 Centre Court (586) 226-1500  
Clinton Twp., MI 48038 (586) 226-1505 Fax  
e-mail:solutions@gagebilt.com / www.gagebilt.com

Type:		Adapts GB206-375 Series Nose Assemblies to: GB745 Installation Tool.	
Rotatable Offset Nose Assembly Adapter			
Ref. No.	Qty.	Description	353206
1	1	Anvil Adapter Assembly	353228
2	1	Collet Adapter	353219