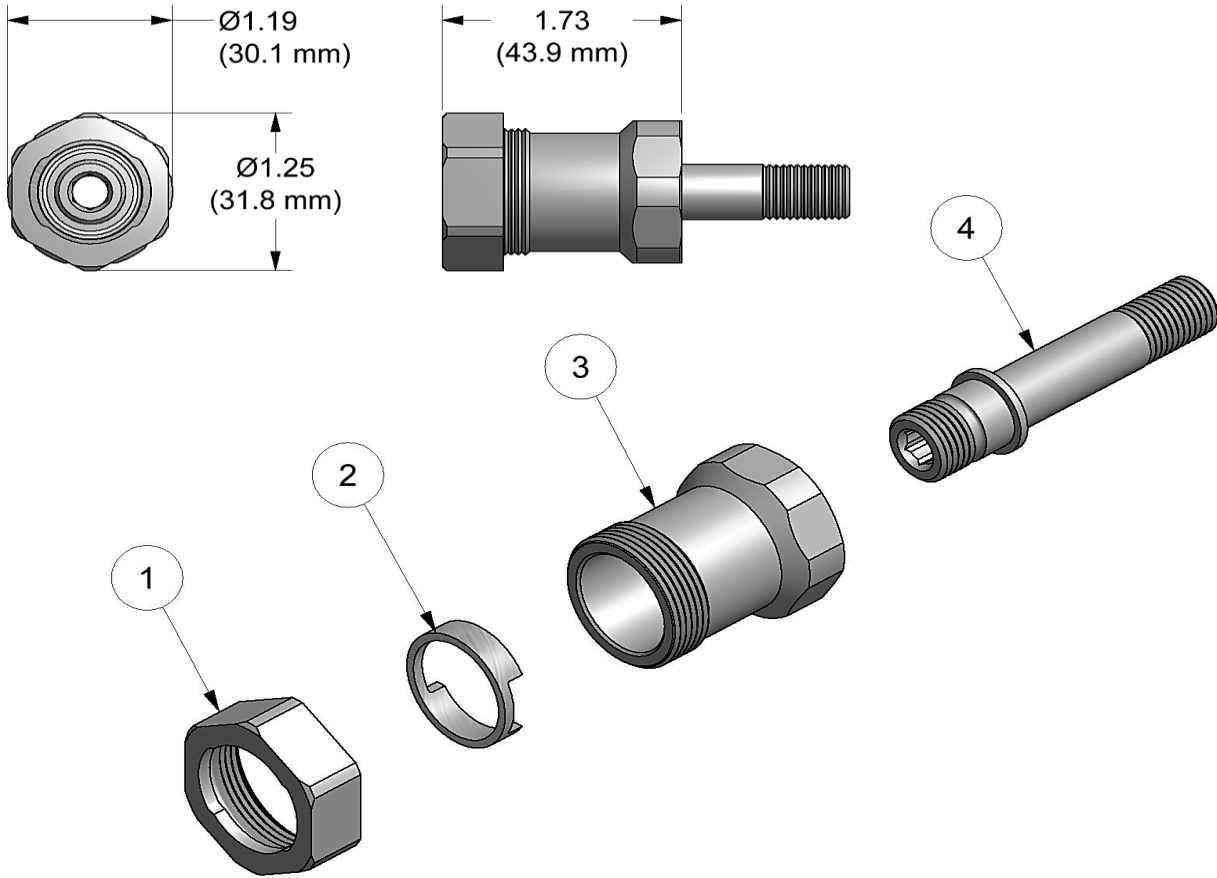


206751 ADAPTER DATA SHEET



1. Slide Drawbolt (4) into piston of tool, using a 1/4" hex key in front of Drawbolt (4) tighten.
2. Thread Anvil Adapter (3) onto cylinder of tool, using wrench flats tighten.
3. Attach Nose Assembly.
4. Slide Retaining Nut Stop (2) & Nut (1) over Anvil of Nose Assembly and tighten to Anvil Adapter (3) using wrench flats.



11/11 REV 2/16

GAGE BILT

GAGE BILT Inc.

44766 Centre Court (586) 226-1500
 Clinton Twp., MI 48038 (586) 226-1505 Fax
 e-mail:solutions@gagebilt.com / www.gagebilt.com

Type:

Nose Assembly
 Adapter

Adapts GAGE BILT, CHERRY® and HUCK® 3/4"
 Nose Assemblies to:
 GB206-375 Installation Tool

Ref. No.	Qty.	Description	206751
1	1	Nut	206760
2	1	Retaining Nut Stop	240102
3	1	Anvil Adapter	206761
4	1	Drawbolt	206762