

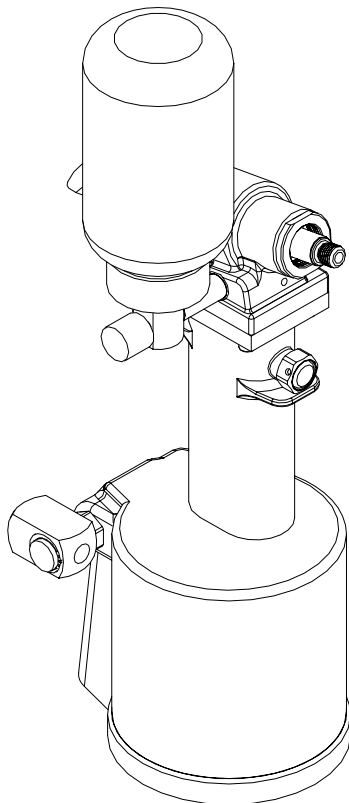
704153

AIR BLEEDER ASSEMBLY

Periodic maintenance is required on all pneumatic tools for efficient operation and long life. It is necessary to keep the hydraulic systems on GAGE BILT pneumatic installation tools full of fluid and free of air.

The 704153 air bleeder quickly and easily removes air from the tool's hydraulic system and assures complete filling of fluid. Your tool can be operating at peak efficiency in minutes.

The 704153 Air Bleeder Assembly may be used on most GAGE BILT pneumatic installation tools including the GB703, GB704, GB713, GB715, GB740, GB743, GB744, GB745, GB751 and GB752. It may also be used on most Cherry® tools.



FILLING & BLEEDING VIDEO AVAILABLE AT:

www.gagebilt.com/bleeding.htm

1. Fill Air Bleeder bottle to oil level line with clean Dexron® III Transmission Fluid or equivalent.
2. Refer to tool manual for filling and bleeding instructions. (Filling and bleeding instructions vary, therefore, it is important you follow instructions specified for your tool model.)
3. Remove knob from air bleeder valve and attach Bleeder to filler hole by turning knurled thumb screw. Make sure Stat-O-Seal washers are in place to prevent leakage.
4. With the installation tool standing upright, turn Air Bleeder bottom side up.
5. Observe action inside Air Bleeder. Initially, there will be some air bubbles vigorously emitted in the bottle, but as the procedure continues a noticeable "perking" of air-free oil will occur.
6. Remove Air Bleeder, replace screw and washer, and tighten snugly.

WARNING

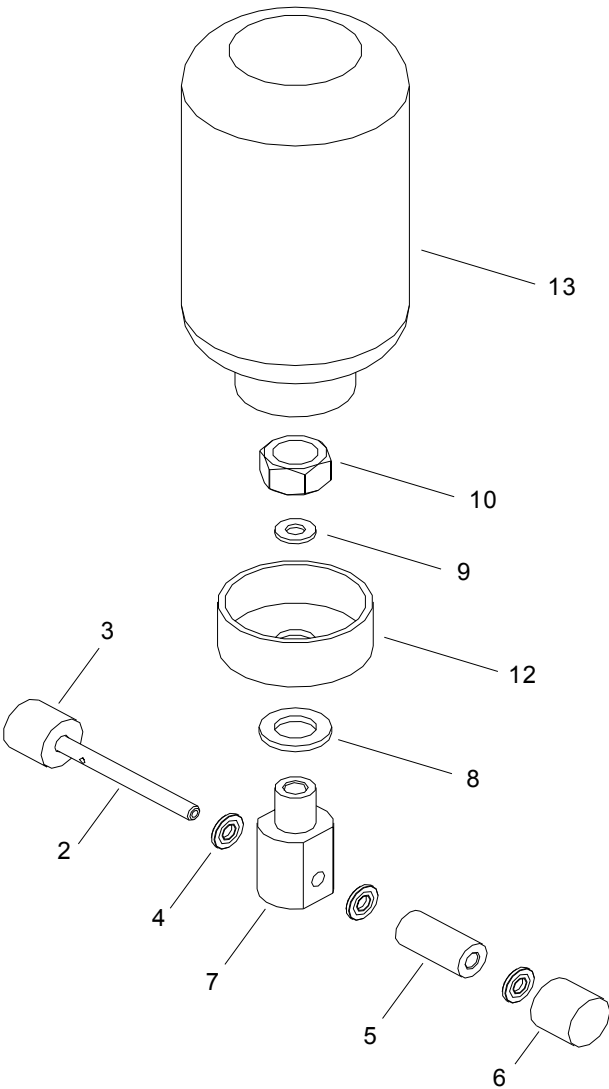
* Do not cycle tool without air bleeder, or the screw and stat-o-seal installed in tool head. Severe personal injury may result.

GAGE BILT
MADE IN U.S.A.

GAGE BILT Inc.

44766 Centre Court (586) 226-1500
Clinton Twp. MI 48038 (586) 226-1505 Fax
e-mail: solutions@gagebilt.com / www.gagebilt.com

Parts List For 704153 Air Bleeder Assembly



REF NO.	PART NO.	DESCRIPTION	QTY.
1	704154	THUMB SCREW ASSY (INCLUDES 2 & 3)	1
2	704155	SCREW	1
3	704159	KNOB	1
4	S572	STAT-O-SEAL	3
5	A-930	SLEEVE	1
6	704159	KNOB	1
7	704157	BLOCK	1
8	S900	STAT-O-SEAL	1
9	S898	STEEL WASHER	1
10	S899	HEX NUT	1
11	704161	BOTTLE ASSY (INCLUDES 12 & 13)	1
12	704156	CAP	1
13	704160	BOTTLE	1

DEXRON® IS A REGISTERED TRADEMARK OF GENERAL MOTORS CORPORATION. CHERRY® IS A REGISTERED TRADEMARK OF CHERRY AEROSPACE.