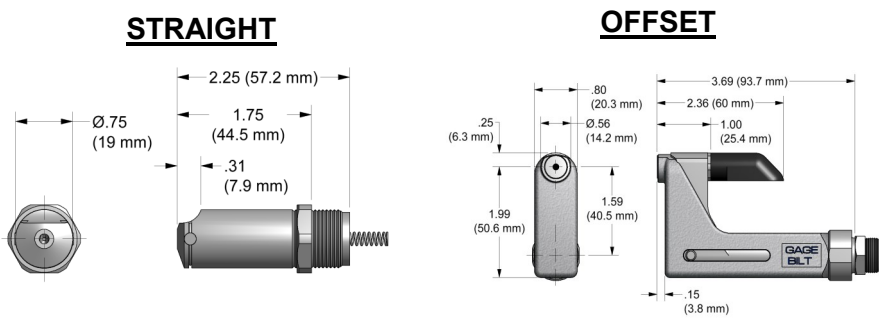


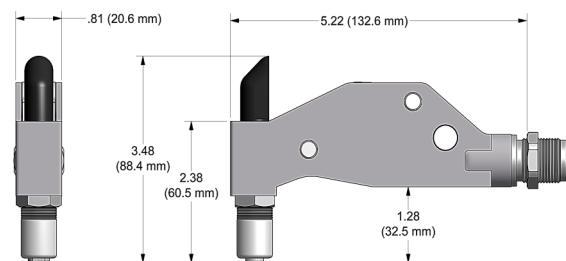
# GB704 NOSE ASSEMBLY SELECTION CHART

**GAGE BILT**  
MADE in USA

44766 Centre Court Clinton Twp. MI 48038 USA  
Ph: +1 (586) 226-1500 Fax: +1 (586) 226-1505  
solutions@gagebilt.com / www.gagebilt.com



## RIGHT ANGLE



**CATCHER BAG**  
#704214  
(Equivalent to #670A20)



**AIR BLEEDER ASSY**  
#704153  
(Equivalent to #700A77)



Contact **GAGE BILT** to create your own custom kit.

**RIVETER KIT**  
#GB704RK



**RIVETER KIT**  
#GB704RK-1  
(Equivalent to #G704BCMR)



**GRIP GAGE FOR CHERRYMAX® AND CHERRYLOCK® RIVETS**  
#269G3 (Similar to #269C3)



**GRIP GAGE FOR NAS LOCKBOLTS AND BLIND FASTENERS**  
#GB105093 (Equivalent to #105093)



FASTENER	DIAMETER	STRAIGHT	RIGHT ANGLE (3)	OFFSET
CHERRYMAX®, CHERRYMAX® 'AB', MBC® LOCK CREATOR BACR15FR/FP, BACR15GF/GK,	1/8 5/32 3/16	456MAX-701-17 (2) 456MAX-704-35 (2) 456MAX-749-35 (4,2)	456MAX-704-54RA (2)	456MAX-704-43OS (2)
NUT PLATE RIVETS MS20600 SERIES CCR244/264/274 MS/9SP/PT BACR15CC/CF/DA/DR	3/32 1/8 5/32 3/16	3C-704A-16 4C-704A-16 5C-704A-16 6C-704A-16	3C-704-54RA 4C-704-54RA 5C-704-54RA 6C-704-54RA	3C-704-40OS 4C-704-40OS 5C-704-40OS 6C-704-40OS
'A' CODE NAS1398A NAS1399A	3/32 1/8 5/32 3/16	3A-704A-16 4A-704A-16 5A-704A-16 6A-704A-16	3A-704-54RA 4A-704-54RA 5A-704-54RA 6A-704-54RA	3A-704-40OS 4A-704-40OS 5A-704-40OS 6A-704-40OS
GROUND STUD M83454 BACS53B1EA1/2	8/32	GS8-704-16	GS8-704-54RA	GS8-704-40OS

CHERRYMAX® and MBC® are registered trademarks of Cherry Aerospace Fasteners.

**GAGE BILT CERTIFIES THE GB704 WILL INSTALL THE ABOVE FASTENERS**

1) 715 SERIES NOSE ASSEMBLIES REQUIRE 704001 ADAPTER.  
2) INSTALLS 1/8", 5/32", AND 3/16" DIAMETERS  
3) RIGHT ANGLE NOSE ASSEMBLIES MAY REQUIRE MORE THAN ONE PULL  
4) FRONT END EJECTING NOSE ASSEMBLY.

NOTE: THE LAST 2 DIGITS OF THE NOSE ASSEMBLY REPRESENTS THE LENGTH THE NOSE EXTENDS FROM THE TOOL I.E. -20 = 2.0 INCHES

**704001 ADAPTER**  
(Equivalent to #704A9)

Adapts GB715 series, Olympic & Allfast® group 1 scw-on nose assemblies including Ground Stud nose assemblies on GB704 series, Cherry® 704 series, Allfast RV15G and Huck® 2013 tools.

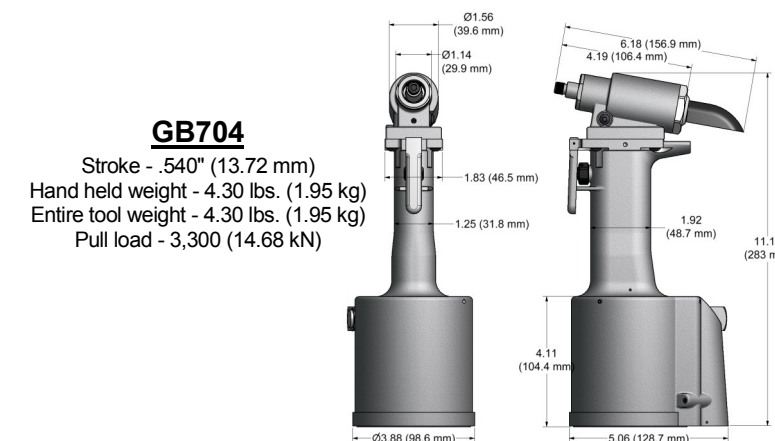


## EXTENSIONS

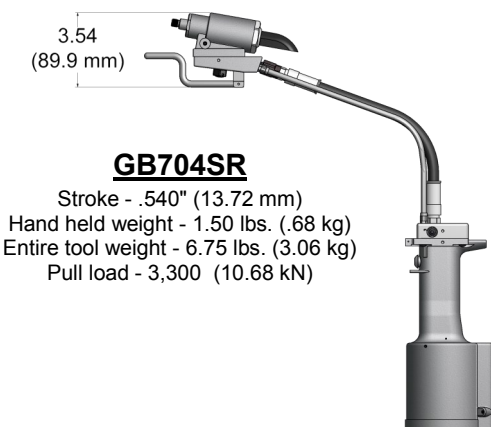
These extensions help reach many restricted areas by increasing the overall length of the nose assembly. They fit directly on the GB704 Installation Tool and will accept any nose assembly for Cherrymax® and High Clinch rivets.



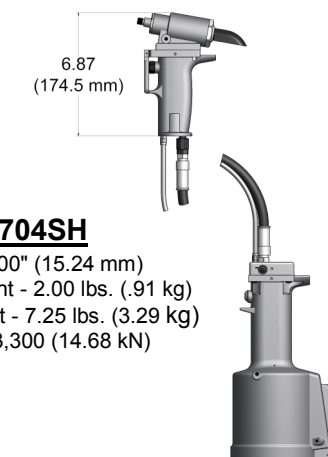
L	Part Number	Equivalent to:
2"	704002	704A12-2
4"	704004	704A12-4
6"	704006	704A12-6
12"	704012	704A12-12



**GB704**  
Stroke - .540" (13.72 mm)  
Hand held weight - 4.30 lbs. (1.95 kg)  
Entire tool weight - 4.30 lbs. (1.95 kg)  
Pull load - 3,300 (14.68 kN)



**GB704SR**  
Stroke - .540" (13.72 mm)  
Hand held weight - 1.50 lbs. (.68 kg)  
Entire tool weight - 6.75 lbs. (3.06 kg)  
Pull load - 3,300 (10.68 kN)



**GB704SH**  
Stroke - .600" (15.24 mm)  
Hand held weight - 2.00 lbs. (.91 kg)  
Entire tool weight - 7.25 lbs. (3.29 kg)  
Pull load - 3,300 (14.68 kN)